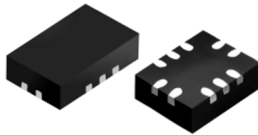


Dual electronic fuse for 5 V and 12 V rails



QFN10 (2 x 3 mm)

Features

- 5 V and 12 V channels into one chip
- Output over voltage clamp
- Fixed current limit : 3 A on 5 V, 4 A on 12 V
- Latched-off thermal protection
- Input undervoltage lockout
- Adjustable output voltage slew rate for each channel
- Integrated 40 mΩ Power FETs
- SAS disable pin
- Current monitor output
- QFN10-2x3 package

Applications

- HD and SSD drives
- Set-top boxes
- DVD and Blu-ray disc drivers

Description

The **STEF512PUR** is an integrated dual electronic fuse, designed to protect circuitry on the output from overcurrent and overvoltage events, in those applications requiring hot swap operation and in-rush current control.

The device embeds two independent electronic fuses, one for the 5 V rails and one for the 12 V rails. Thanks to the very low ON-resistance of the integrated power FETs, the voltage drop from the main supply to the load is very low during normal operation.

The startup time can be adjusted by the user for each e-fuse, via two small soft-start capacitors, connected to the relevant pins.

In this way the inrush current at startup can be kept under control.

The maximum load current is precisely limited, by utilizing a sense FET topology, to factory-defined values (3 A for 5 V output and 4 A for 12 V output).

The device also provides precise overvoltage clamp for each channel, preventing the load being damaged from power supply failures, and undervoltage lockout (UVLO), assuring that the input voltage is above the minimum operating threshold, before the power device is turned on.

When an overload condition occurs, the **STEF512PUR** limits the output current to the predefined safe value. If the anomalous overload condition persists, the device goes into thermal shutdown, the internal switch is opened and the load disconnected from the power supply.

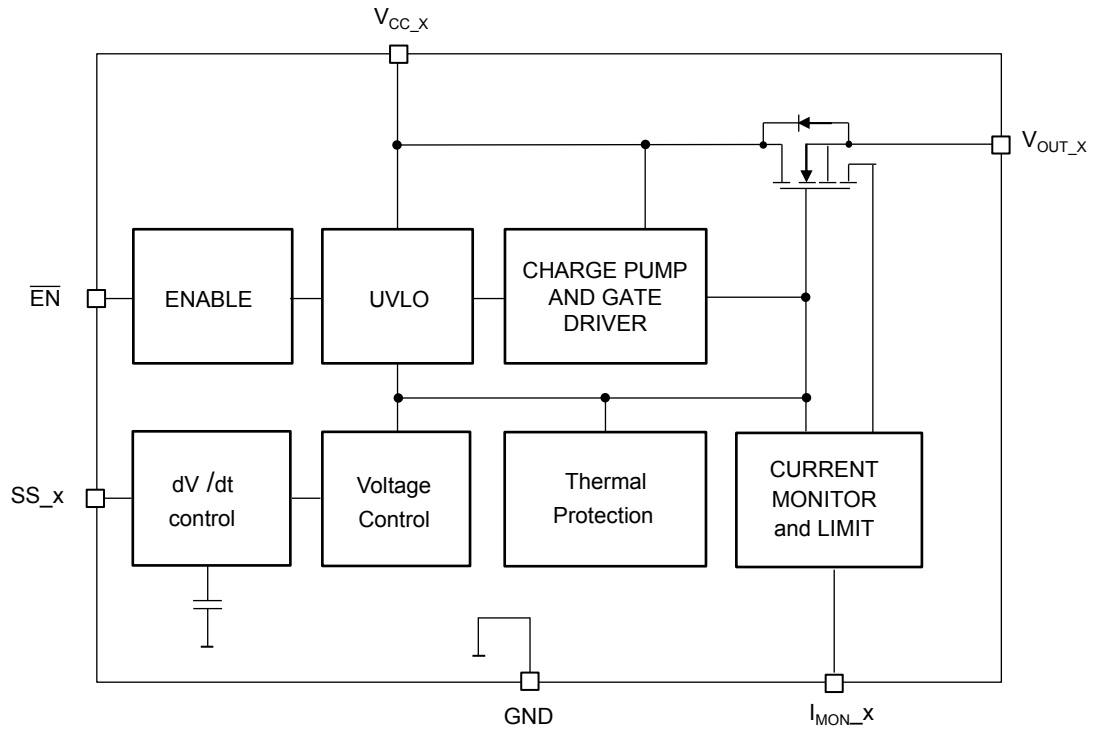
In the QFN10 package two current monitor pins are available, providing continuous information on the load current for each channel.

Maturity status link

[STEF512PUR](#)

1 Diagram

Figure 1. Block diagram (one channel)



2 Pin configuration

Figure 2. Pin connection (top view)

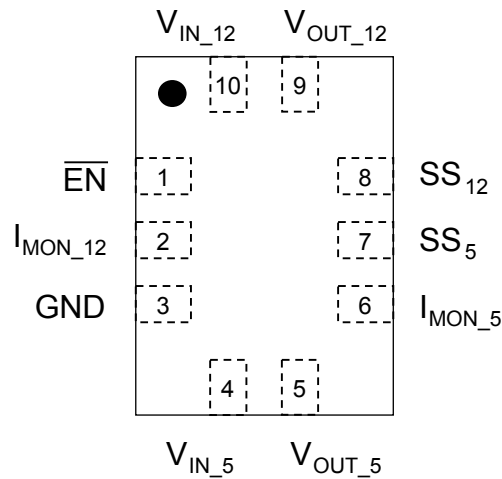
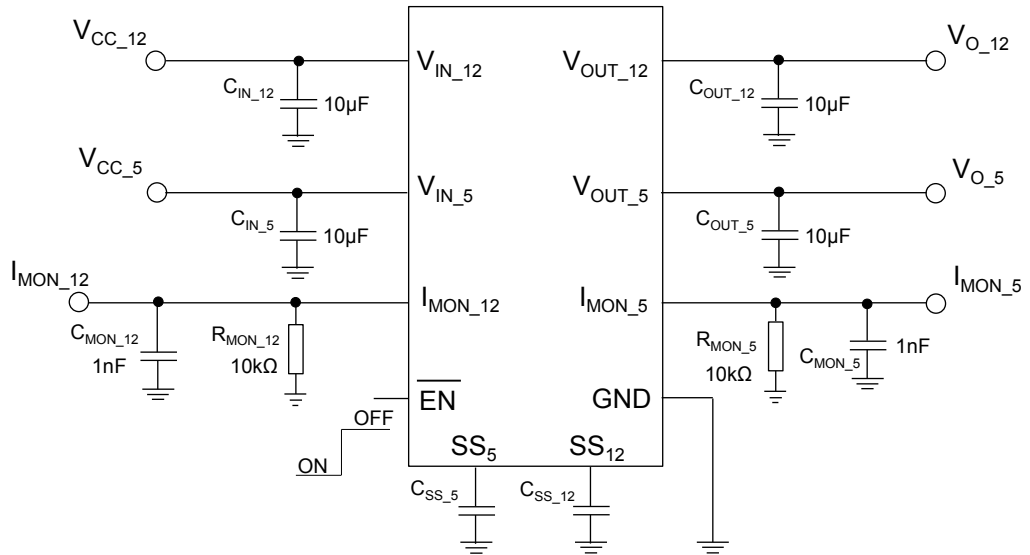


Table 1. Pin description

Symbol	Pin n°	Description
V_{IN_12}	10	12 V rail supply voltage
V_{IN_5}	4	5 V rail supply voltage
V_{OUT_12}	9	12 V rail output voltage
V_{OUT_5}	5	5 V rail output voltage
GND	3	Ground
\overline{EN}	1	SAS disable input: set this pin logic-low to turn on the device, high to turn off the device. This pin is internally pulled down via 1 M Ω resistor.
SS_5	7	Soft Start adjustment pin for the 5 V rail. A capacitor must be connected between this pin and GND to program the output voltage slew-rate. Do not leave floating.
SS_{12}	8	Soft-start adjustment pin for the 12 V rail. A capacitor must be connected between this pin and GND to program the output voltage slew-rate. Do not leave floating.
I_{MON_5}	6	5 V rail current monitor. Connect a resistor between this pin and GND.
I_{MON_12}	2	12 V rail current monitor. Connect a resistor between this pin and GND.

3 Typical application

Figure 3. Typical application diagram



4 Maximum ratings

Table 2. Absolute maximum ratings

Symbol	Parameter	Value	Unit
V_{IN_5}, V_{IN_12}	Input supply voltage (max 100 ms)	- 0.3 to 25	V
V_{IN_5}, V_{IN_12}	Input supply voltage	- 0.3 to 20	V
V_{OUT_5}	Output voltage ⁽¹⁾	10	V
V_{OUT_12}	Output voltage ⁽¹⁾	18	V
$\overline{V_{EN}}$	Enable pin voltage	- 0.3 to 7	V
SS_x	Soft-start pin voltage	- 0.3 to 7	V
I_{MON_x}	Monitor pin voltage	- 0.3 to 7	V
ESD	Charge device model	± 500	V
	Human body model	± 2000	
T_{J-OP}	Operating junction temperature	- 40 to 125	°C
T_{J-MAX}	Maximum junction temperature	150	°C
T_{STG}	Storage temperature	- 55 to 150	°C

1. In any case $V_{OUT} < V_{IN} + 0.3$

Table 3. Thermal data

Symbol	Parameter	Value	Unit
R_{thJA}	Thermal resistance junction-ambient	105	°C/W
R_{thJC}	Thermal resistance junction to case	16	°C/W

5 Electrical characteristics

$T_J = 25\text{ °C}$, $V_{IN_5} = 5\text{ V}$, $V_{IN_12} = 12\text{ V}$, $\overline{EN} = 0\text{ V}$; $C_{IN} = 10\text{ }\mu\text{F}$; $C_{OUT} = 10\text{ }\mu\text{F}$; unless otherwise specified.

Table 4. Electrical characteristics

Symbol	Parameter	Test conditions	Min.	Typ.	Max.	Unit
5 V e-fuse						
V_{Clamp_5}	Output clamping voltage	$V_{IN_5} = 8\text{ V}$, $I_{OUT} = 5\text{ mA}$	5.5	5.7	5.9	V
V_{UVLO_5}	Undervoltage lockout	Turn-on, voltage rising	4.25	4.35	4.45	V
V_{Hyst_5}	UVLO hysteresis	Turn-off, voltage falling		1.78		V
R_{DSon_5}	On-resistance	$T_J = 25\text{ °C}$		36		m Ω
		$T_J = 125\text{ °C}$			50	
I_{L_5}	Off state leakage current	$\overline{V_{EN}} = 5\text{ V}$, $V_{OUT_5} = \text{GND}$		1	5	μA
I_{D5}	Maximum continuous current	$T_A = 25\text{ °C}$		2.5		A
I_{Short_5}	Short-circuit current limit		0.6	1	1.4	A
I_{Lim_5}	Overload current limit		2.7	3	3.3	A
dV/dt_5	Output voltage ramp time	From 10 % to 90 % of V_{OUT} $C_{dv/dt} = 100\text{ nF}$	11	13	15	ms
A_{I_5}	Current monitor output current gain, I_{MON_5} / I_{OUT_5}	$I_{OUT_5} > = 200\text{ mA}$	27	30	33	$\mu\text{A/A}$
12 V e-fuse						
V_{Clamp_12}	Output clamping voltage	$V_{IN_12} = 17\text{ V}$, $I_{OUT} = 5\text{ mA}$	14.5	15	15.5	V
V_{UVLO_12}	Undervoltage lockout	Turn-on, voltage rising	9.4	9.7	10	V
V_{Hyst_12}	UVLO hysteresis (12 V rail)	Turn-off, voltage falling		2		V
R_{DSon_12}	On-resistance (12 V rail)	$T_J = 25\text{ °C}$		40		m Ω
		$T_J = 125\text{ °C}$			70	
I_{L_12}	Off state leakage current	$\overline{V_{EN}} = 5\text{ V}$, $V_{OUT_12} = \text{GND}$		1	5	μA
I_{D12}	Continuous current ⁽¹⁾⁽²⁾	$T_A = 25\text{ °C}$		3.5		A
I_{Short_12}	Short-circuit current limit			1.8		A
I_{Lim_12}	Overload current limit		3.6	4	4.5	A
dV/dt_12	Output voltage ramp time	From 10 % to 90 % of V_{OUT} , $C_{dv/dt} = 100\text{ nF}$	10	12	14	ms
A_{I_12}	Current monitor output current gain, I_{MON_12} / I_{OUT_12}	$I_{OUT_12} \geq 200\text{ mA}$	27	30	33	$\mu\text{A/A}$
Common features						
V_{IL}	Low level input voltage	Output enabled			0.7	V
V_{IH}	High level input voltage	Output disabled	2.1			V
R_P	Pull-down resistor			1000		k Ω
I_q	Quiescent current (excluding \overline{EN} current)	Device operating		250	1000	μA

Symbol	Parameter	Test conditions	Min.	Typ.	Max.	Unit
I_q	Quiescent current (excluding \overline{EN} current)	Off-state, = 5 V		40	80	μA
\overline{I}_{EN}	Enable pin current	$V_{\overline{EN}} = 5 V$		5	10	μA
Thermalprotection						
TSD	Shutdown temperature ⁽¹⁾			165		$^{\circ}C$
	Hysteresis			20		

1. *Guaranteed by design, but not tested in production.*
2. *The maximum continuous current is the current level above which the control loop starts increasing the ON resistance of the pass element.*

Table 5. Recommended operating condition

Symbol	Parameter	Test Conditions	Min.	Typ.	Max.	Unit
C_{IN}	Input capacitance	Stability	1	47		μF
C_{OUT}	Output capacitance		10	47		

6 Device functional description

The STEF512 embeds a 5 V and a 12 V electronic fuses (e-fuses). Each e-fuse is an intelligent load switch, able limit the voltage or the current during fault events, such as input overvoltage or output overload respectively. For this purpose it contains 2 analogue control loops, one limiting the output voltage and one limiting the input current. The current limiting loop is also used during the start-up phase of the E-fuse to limit the inrush current into the output capacitor.

During normal operation the e-fuse behaves as a low-resistance Power FET, therefore the output voltage follows the input one. In case of overvoltage or overcurrent event, the e-fuse limits the V_{GS} of the internal FET, in order to clamp the output voltage or current respectively. During such events the die temperature increases due to the power dissipation and so, if the fault persists and the overtemperature threshold is overcome, the device goes into thermal shutdown, the internal FET is turned-off and the load disconnected from the power supply.

Once the e-fuse is in thermal shutdown, it does not restart automatically. The e-fuse can be restarted manually by toggling the \overline{EN} pin or performing a power-up cycle, (this will be effective as soon as the die temperature drops by at least the overtemperature hysteresis).

Each e-fuse provides factory-trimmed undervoltage lockout feature and user-adjustable output voltage rise time.

6.1 Undervoltage lockout

Undervoltage lockout circuit prevents each e-fuse to turn-on if the supply voltage is below the UVLO rising threshold. During operation, if the input voltage falls below $(V_{UVLO_x} - V_{Hyst_x})$, the output of the relevant channel is turned off.

If the supply voltage comes back into the operative range, the relevant channel restarts with soft-start cycle.

6.2 Startup sequence and voltage clamp

The typical start-up sequence of each e-fuse is as follows:

- The power supply is connected to the V_{IN_x} pin and higher than the undervoltage lockout threshold
- The disable pin \overline{EN} is asserted by the user to low logic level (or left floating), enabling the device
- Typically, 1.2 ms after the e-fuse starts ramping up the output voltage
- Each channel will ramp up with a rate set by the relevant C_{SSx}
- If the input voltage continues rising, above the overvoltage threshold (V_{Clamp_x}), as a consequence of a failure in the power supply, the e-fuse limits the output voltage to V_{Clamp_x} . The e-fuse keeps operating in this state until it hits its overtemperature threshold and shuts down

6.3 Current limit function

Each e-fuse provides 2 kinds of current limit protection mechanisms:

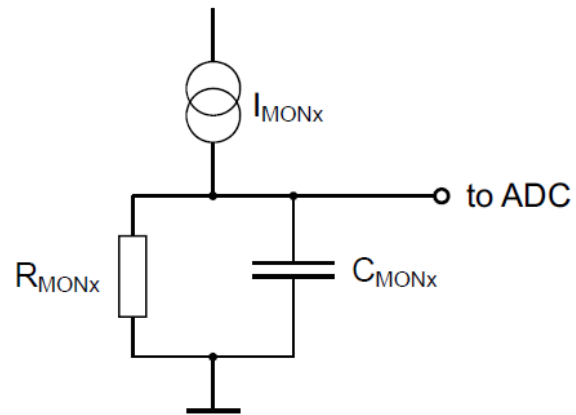
- In case of overload, the device starts increasing the power MOS resistance. The overload current limit (I_{Lim_x}) is 3 A typ. for the 5 V fuse and 4 A (typ.) for the 12 V
- In the case of strong overload or short circuit, the short-circuit current limit is activated and the current is clamped to I_{Short_x} : 1 A typ. on 5 V channel and 1.8 A typ. on 12 V channel

6.4 E-fuse current monitor

The e-fuse is equipped with current monitoring capability that allows the host processor to read the current flowing through each channel. An I_{MON_x} ($x = 5, 12$) current proportional to the load current flowing through the e-fuse is imposed on an external R_{MON_x} , converting the sensing current into voltage for further processing by the ADC. An external RC filter is used to provide a stable signal (see figure below).

The current monitoring amplifier gain ($A_{I_x} = I_{MON_x} / I_{OUT_x}$) is typically 30 $\mu A/A$, as defined in the electrical characteristic [Table 4. Electrical characteristics](#).

Figure 4. Current monitor simplified circuit



7 Typical characteristics

The following plots are referred to the typical application circuit and, unless otherwise noted, at $T_A = 25\text{ }^\circ\text{C}$.

Figure 5. Start-up no load from V_{CC}

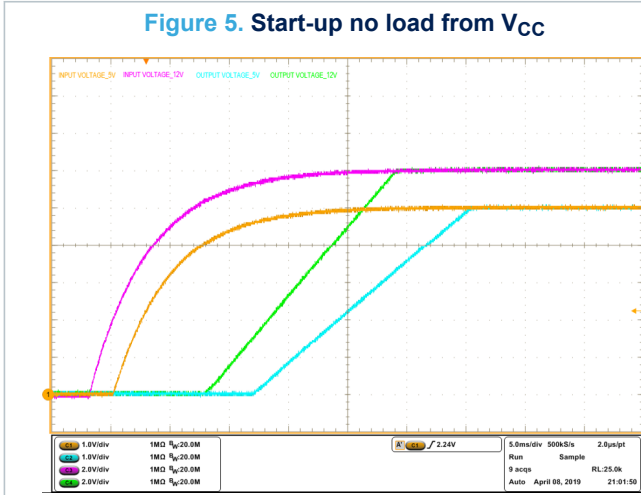


Figure 6. Out5 start-up with 2 A load

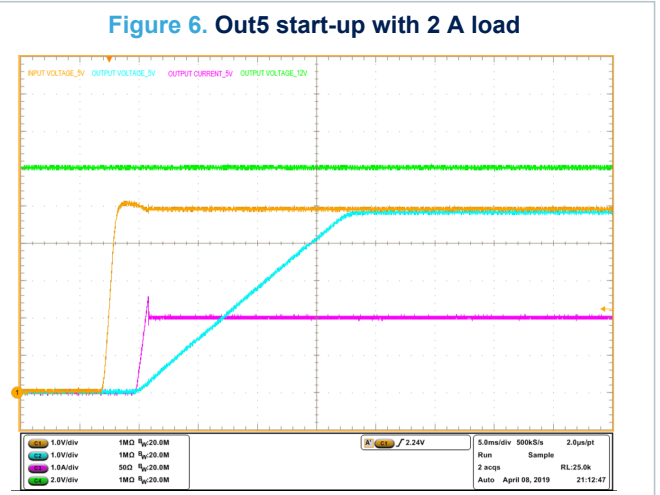


Figure 7. Out12 start-up with 2 A

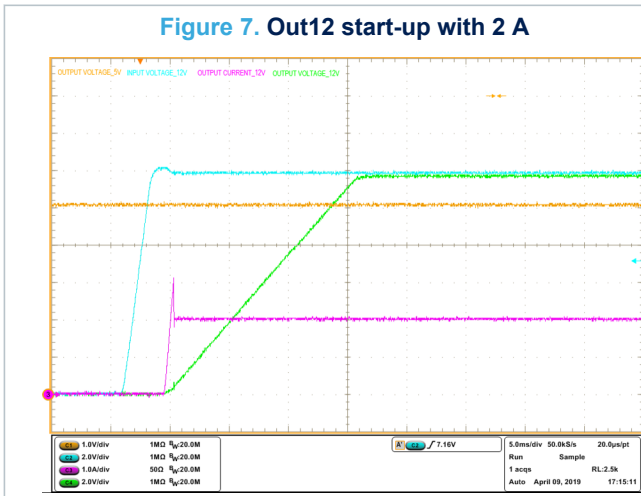


Figure 8. Start-up by EN, no load

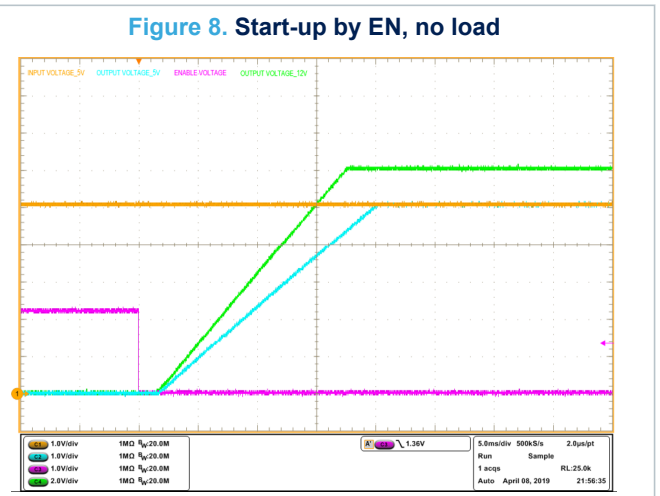


Figure 9. Start_up by En @ 2 A load

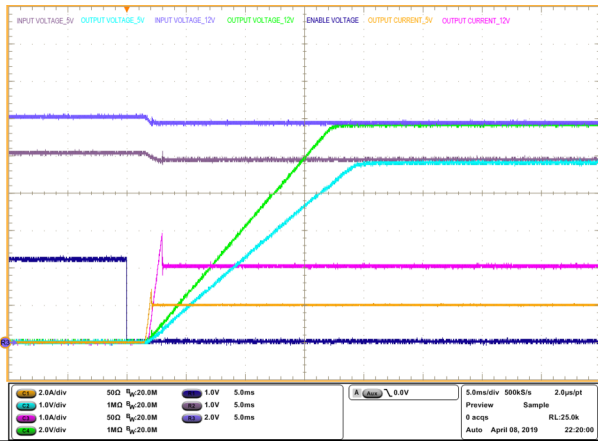


Figure 10. Out5 current limit and short

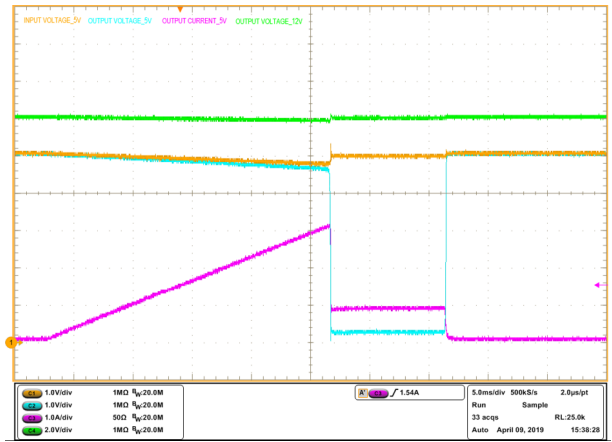


Figure 11. Out12 current limit and short

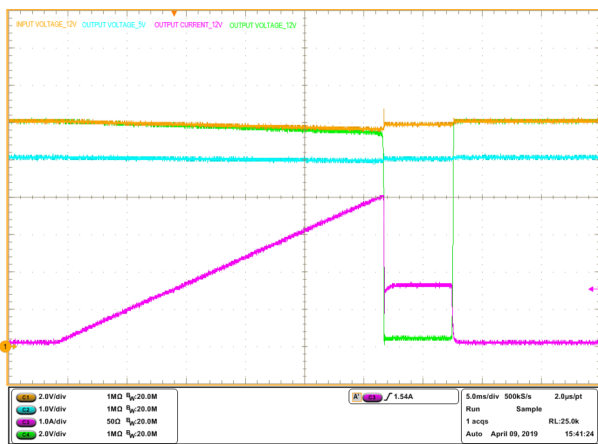


Figure 12. Out5 UVLO rising

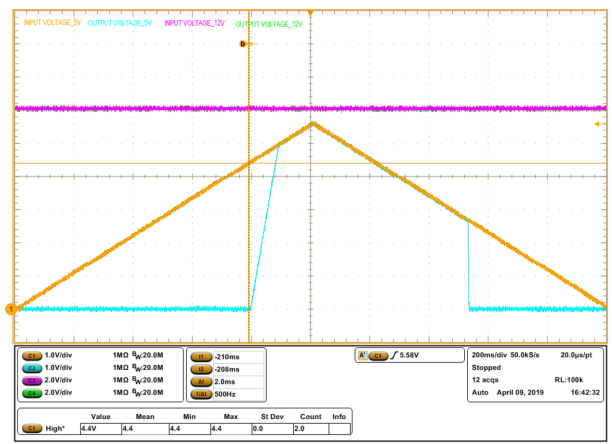


Figure 13. Out12 UVLO rising

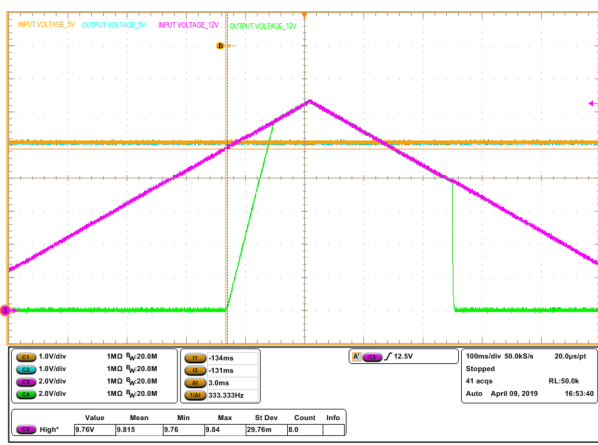


Figure 14. Out5 start-up vs. C_{SS}

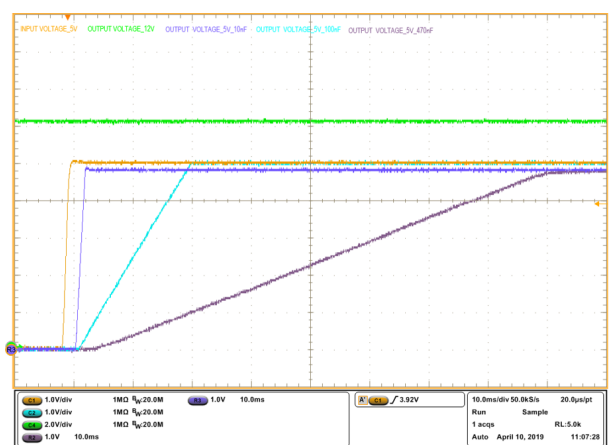


Figure 15. Out12 start-up vs. C_{SS}

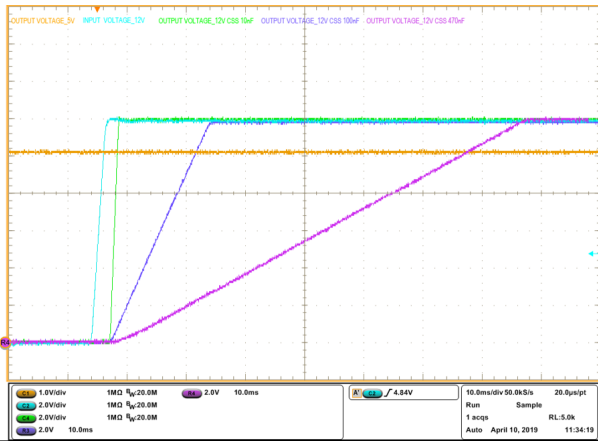


Figure 16. Out5 voltage clamp

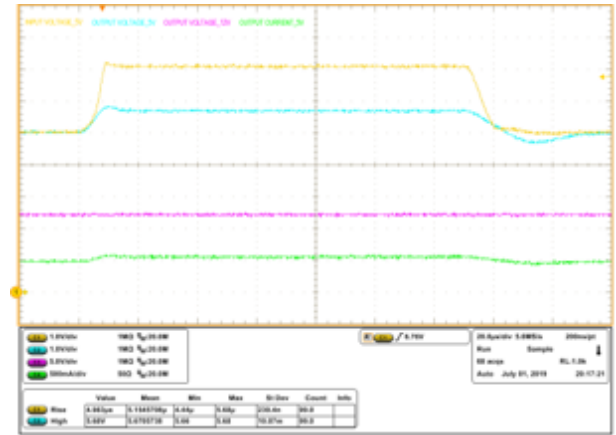


Figure 17. Out12 voltage clamp

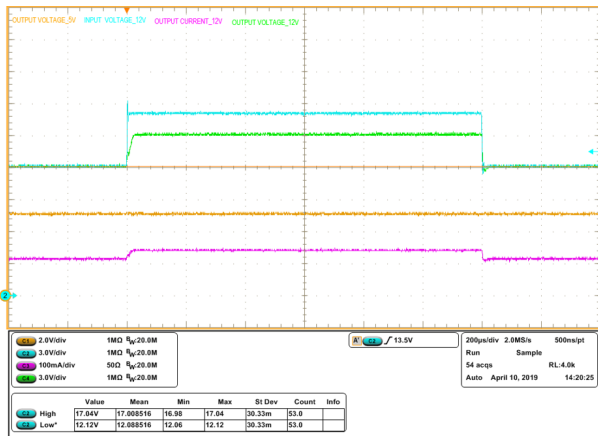


Figure 18. I_{mon5} gain

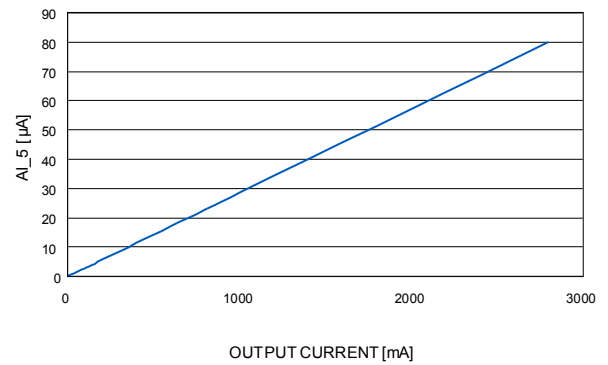


Figure 19. I_{mon12} Gain

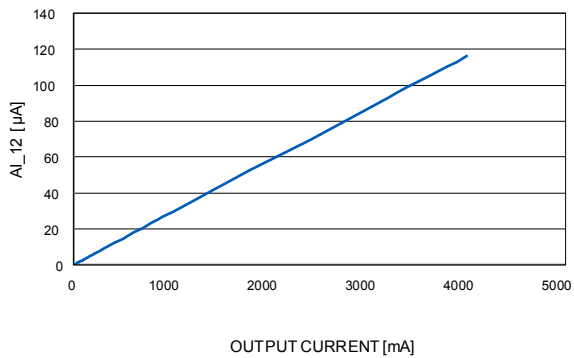


Figure 20. 5 V channel I_{lim} vs. temperature

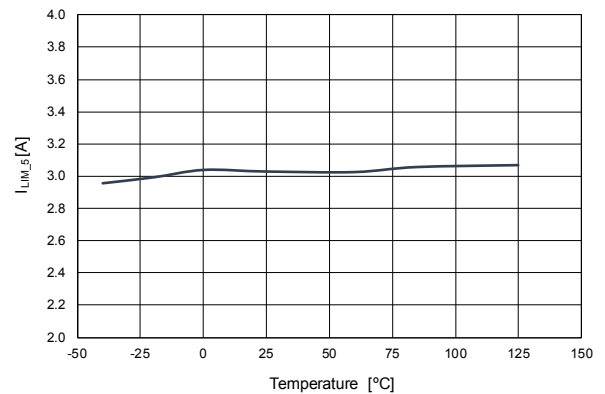


Figure 21. 12 V channel I_{lim} vs. temperature

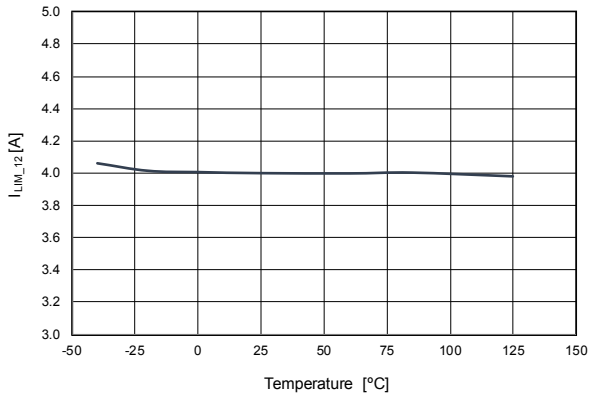


Figure 22. 5 V channel R_{DS_ON} vs. temperature

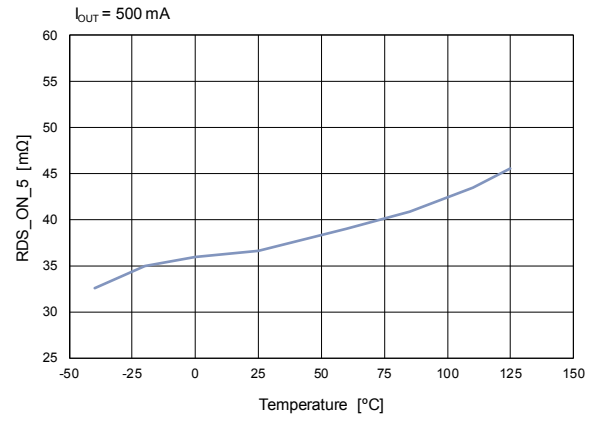
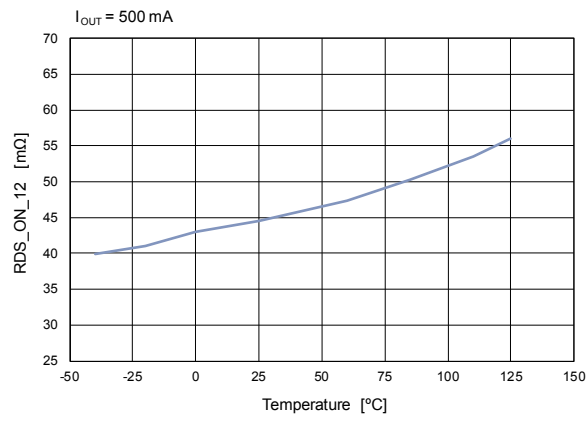


Figure 23. 12 V channel R_{DS_ON} vs. temperature



8 Package information

In order to meet environmental requirements, ST offers these devices in different grades of **ECOPACK** packages, depending on their level of environmental compliance. ECOPACK specifications, grade definitions and product status are available at: www.st.com. ECOPACK is an ST trademark.

8.1 QFN10 (2 x 3 mm) package information

Figure 24. QFN10 (2 x 3 mm) package outline

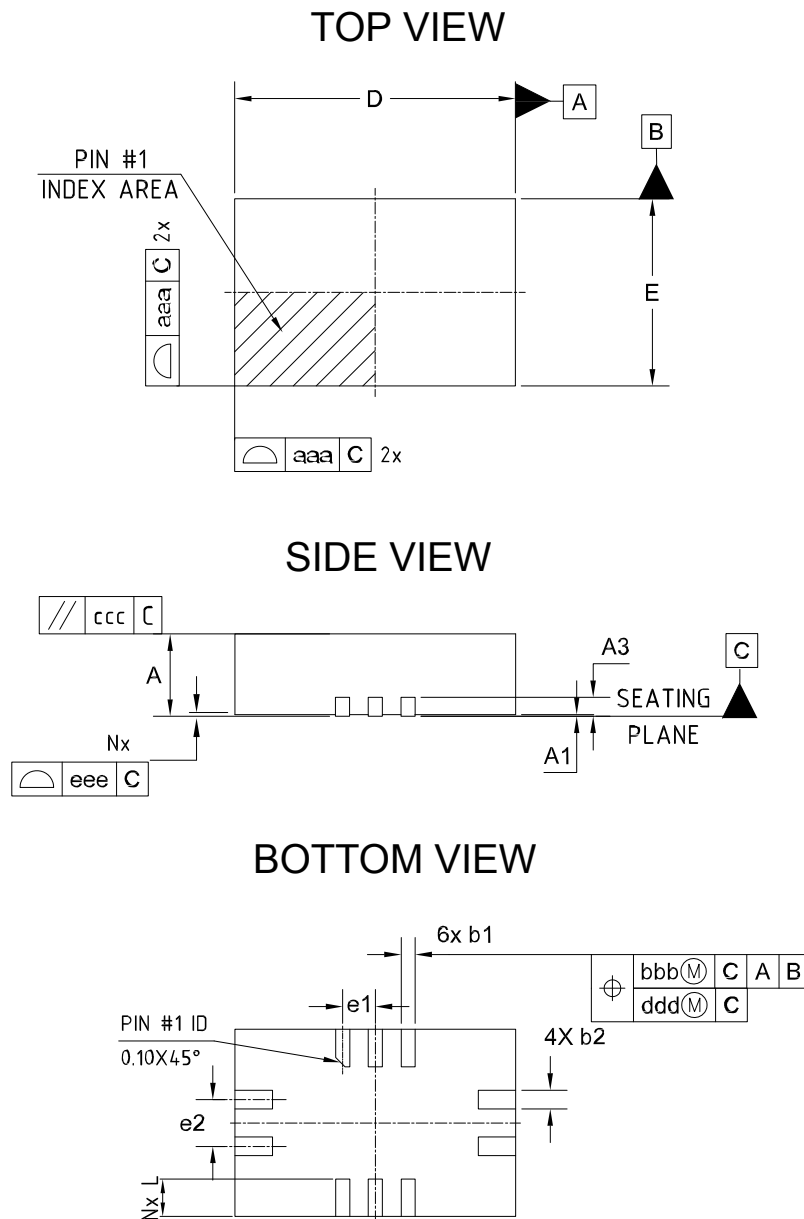
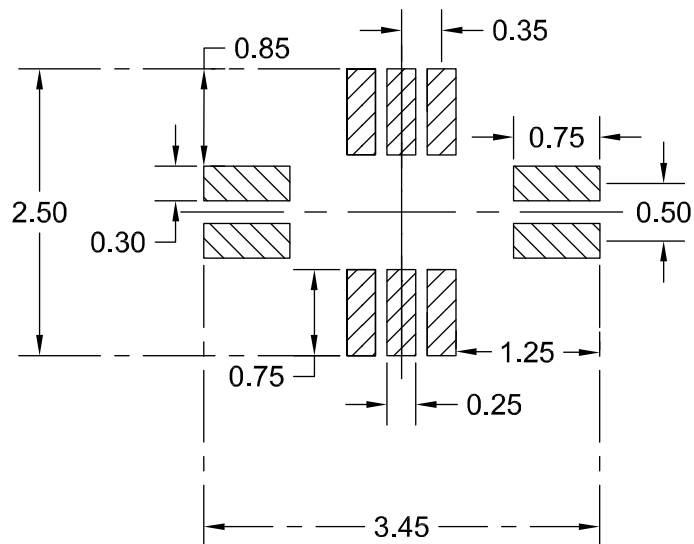


Table 6. QFN10 (2 x 3 mm) mechanical data

Dim.	mm		
	Min.	Typ.	Max.
A	0.70	0.75	0.80
A1	0	0.02	0.05
A3	0.203 ref.		
b1	0.10	0.15	0.20
b2	0.15	0.20	0.25
D	3.00 BSC		
E	2.00 BSC		
e1	0.35 BSC		
e2	0.50 BSC		
L	0.30	0.40	0.50
aaa	0.05		
bbb	0.10		
ccc	0.10		
ddd	0.05		
eee	0.08		

Figure 25. QFN10 (2 x 3 mm) recommended footprint



9 Ordering information

Table 7. Order codes

Order code	Finish good	Package	Current limit configuration	Marking
STEF512PUR	STEF512PUR\$7Q	QFN10	3 A on 5 V , 4 A on 12 V	W51

Revision history

Table 8. Document revision history

Date	Revision	Changes
07-Jan-2020	1	Initial release.
13-Jan-2020	2	Added A_{I_5} and A_{I_12} Min. and Max. values in Table 4. Electrical characteristics .

Contents

1	Diagram	2
2	Pin configuration	3
3	Typical application	4
4	Maximum ratings	5
5	Electrical characteristics	6
6	Device functional description	8
6.1	Undervoltage lockout	8
6.2	Startup sequence and voltage clamp	8
6.3	Current limit function	8
6.4	E-fuse current monitor	8
7	Typical characteristics	10
8	Package information	14
8.1	QFN10 (2 x 3 mm) package information	14
9	Ordering information	16
	Revision history	17

List of tables

Table 1.	Pin description	3
Table 2.	Absolute maximum ratings	5
Table 3.	Thermal data	5
Table 4.	Electrical characteristics	6
Table 5.	Recommended operating condition	7
Table 6.	QFN10 (2 x 3 mm) mechanical data	15
Table 7.	Order codes	16
Table 8.	Document revision history	17

List of figures

Figure 1.	Block diagram (one channel)	2
Figure 2.	Pin connection (top view)	3
Figure 3.	Typical application diagram	4
Figure 4.	Current monitor simplified circuit	9
Figure 5.	Start-up no load from V_{CC}	10
Figure 6.	Out5 start-up with 2 A load	10
Figure 7.	Out12 start-up with 2 A	10
Figure 8.	Start-up by EN, no load	10
Figure 9.	Start_up by En @ 2 A load	11
Figure 10.	Out5 current limit and short	11
Figure 11.	Out12 current limit and short	11
Figure 12.	Out5 UVLO rising	11
Figure 13.	Out12 UVLO rising	11
Figure 14.	Out5 start-up vs. C_{SS}	11
Figure 15.	Out12 start-up vs. C_{SS}	12
Figure 16.	Out5 voltage clamp	12
Figure 17.	Out12 voltage clamp	12
Figure 18.	I _{mon5} gain	12
Figure 19.	I _{mon12} Gain	12
Figure 20.	5 V channel I _{lim} vs. temperature	12
Figure 21.	12 V channel I _{lim} vs. temperature	13
Figure 22.	5 V channel R_{DS_ON} vs. temperature	13
Figure 23.	12 V channel R_{DS_ON} vs. temperature	13
Figure 24.	QFN10 (2 x 3 mm) package outline	14
Figure 25.	QFN10 (2 x 3 mm) recommended footprint	15

IMPORTANT NOTICE – PLEASE READ CAREFULLY

STMicroelectronics NV and its subsidiaries (“ST”) reserve the right to make changes, corrections, enhancements, modifications, and improvements to ST products and/or to this document at any time without notice. Purchasers should obtain the latest relevant information on ST products before placing orders. ST products are sold pursuant to ST’s terms and conditions of sale in place at the time of order acknowledgement.

Purchasers are solely responsible for the choice, selection, and use of ST products and ST assumes no liability for application assistance or the design of Purchasers’ products.

No license, express or implied, to any intellectual property right is granted by ST herein.

Resale of ST products with provisions different from the information set forth herein shall void any warranty granted by ST for such product.

ST and the ST logo are trademarks of ST. For additional information about ST trademarks, please refer to www.st.com/trademarks. All other product or service names are the property of their respective owners.

Information in this document supersedes and replaces information previously supplied in any prior versions of this document.

© 2020 STMicroelectronics – All rights reserved