

Type: **M22-D-X**  
 Article No.: **216602**  
 Sales text **Push-button, flush, without label**



Engineering

Front ring gold-plated, [274150](#)

### Ordering information

Button plate			
Colour			Without
Design			Flush actuator
Front ring			Front ring: titanium
Function			Spring-return

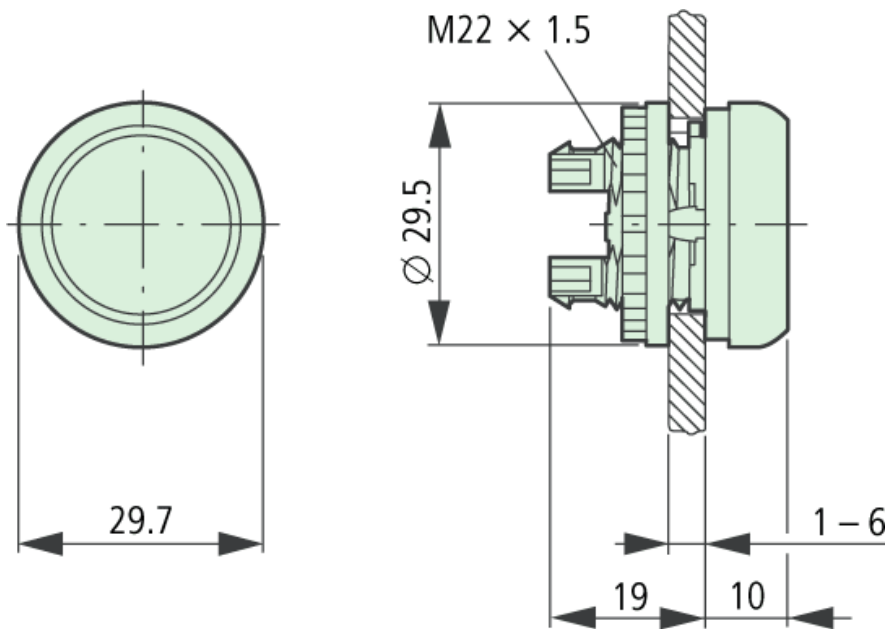
### General

Standards			IEC/EN 60947 VDE 0660
Lifespan, mechanical	Operations	$\times 10^6$	> 5
Operating frequency	Operations/h		3600
Actuating force		n	5
Degree of protection IEC/EN 60529			IP67, 69K
Climatic proofing			Damp heat, constant, to IEC 60068-2-78 Damp heat, cyclic, to IEC 60068-2-30
Ambient temperature			
Open		°C	-25...70
Mounting position			As required

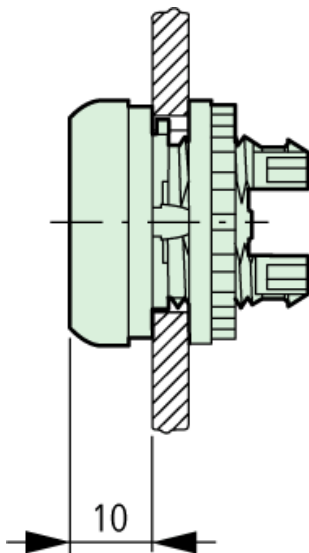
Mechanical shock resistance according to IEC 60068-2-27 Shock duration 11 ms, half-sinusoidal

g > 30

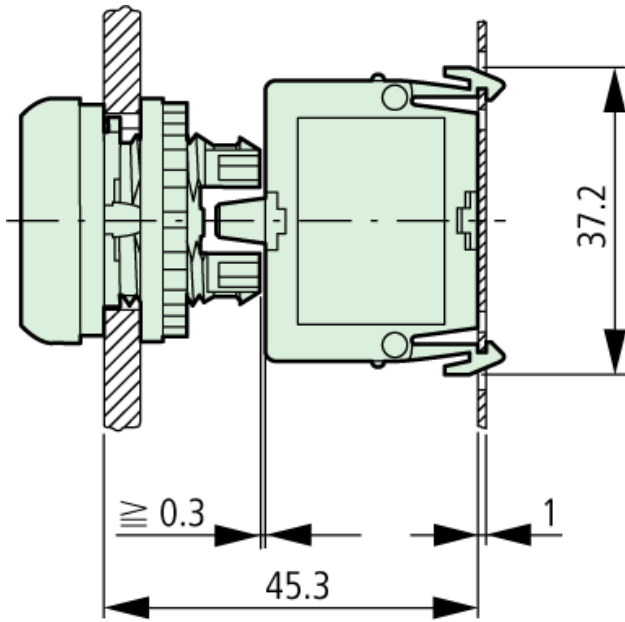
### Dimensions



### Dimensions



### Dimensions



---

M22-D pushbuttons in base fixing

---

Actuating and indicator elements  
Base fixing

---

Moeller GmbH, Hein-Moeller-Str. 7-11, D-53115 Bonn  
E-Mail: [catalog@moeller.net](mailto:catalog@moeller.net), Internet: [www.moeller.net](http://www.moeller.net), <http://catalog.moeller.net>  
Copyright 2006 by Moeller GmbH. HPL-G2007G V2.1