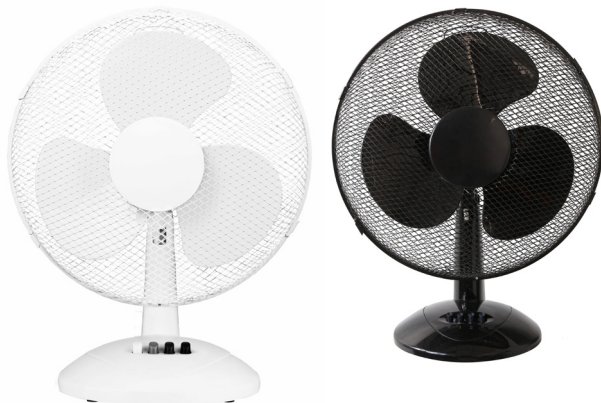


# PRO-ELEC



## 16" Desk Fan Model: PEL01922 & PEL01923

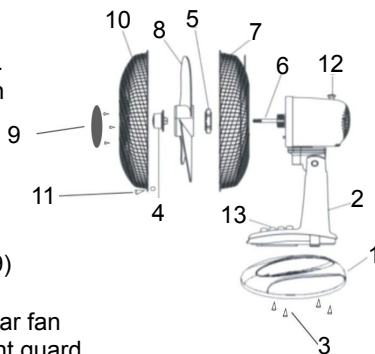
**Please read these instructions carefully before use and retain for future reference.**

### **IMPORTANT SAFETY INFORMATION**

- When using electrical appliances basic safety precautions should always be followed.
- Check that the voltage indicated on the rating plate corresponds with that of the local network before connecting the appliance to the mains power supply.
- This appliance is intended for domestic use only. It should not be used for commercial purposes.
- This appliance can be used by children aged from 8 years and above and persons with reduced physical, sensory or mental capabilities or lack of experience and knowledge if they have been given supervision or instruction concerning the use of the appliance in a safe way and understands the hazards involved.
- Children shall not play with this appliance.
- Cleaning and maintenance shall not be made by children without supervision.
- There are no user-serviceable parts in this product. Refer servicing to qualified personnel.
- Do not operate this fan with a damaged plug or cord, after a malfunction or after being dropped or damaged in any way.
- If the supply cord is damaged, it must be replaced by the manufacturer, its service agent or similarly qualified persons in order to avoid a hazard.
- Ensure that the fan is switched off before removing the guard.
- Do not insert anything through the grille when the fan is in use.
- Make sure that the fan is on a stable surface when operating.
- It is recommended to unplug the fan from the mains socket when not in use.

## ASSEMBLY

- Locate the base moulding (1) onto the base of the fan (2) then fit and tighten the four screws (3) supplied.
- Unscrew the fan retaining ring (4) and rear guard retaining nut (5) from the motor shaft (6).
- Fit the rear guard (7) to the body of the fan with the handle uppermost.
- Lock into position by firmly tightening the rear guard retaining nut.
- Push the fan blades (8) onto the motor shaft and lock by firmly tightening the retaining ring.
- If not already attached, fit the decorative cap (9) to the front guard using the screws supplied.
- Hook the front of the fan guard (10) onto the rear fan guard and close the clips on the side of the front guard to fix it into position.
- Use the nut and bolt (11) provided, at the lower point lock the two guards together.



## OPERATION

- Connect the mains plug to a suitable outlet.
- Oscillation: In order to make the fan oscillate, push down the oscillation knob (12). To stop the fan head from oscillating, pull up the oscillation knob.
- Select the desired speed using the speed control (13):
  - 0 = device off
  - 1 = Low speed
  - 2 = Medium speed
  - 3 = High speed
- Caution: Press only one speed control button at a time. Permanent damage to the switch housing may result if two or more buttons are pressed simultaneously.

## CLEANING & MAINTENANCE

- Before cleaning, switch the fan off and unplug from the power supply.
- To clean the fan, use a soft cloth to wipe off any dust. If the fan is very dirty, use a damp cloth and wipe dry.
- Do not use any chemicals, abrasives or solvents that could damage the fan.

## TECHNICAL SPECIFICATION

<b>Power consumption</b>	45W
<b>Main voltage</b>	220-240V~ 50Hz
<b>Dimensions (HxWxD)</b>	540 x 430 x 260mm
<b>Weight</b>	2.1kg



### INFORMATION ON WASTE DISPOSAL FOR CONSUMERS OF ELECTRICAL & ELECTRONIC EQUIPMENT.

When this product has reached the end of its life it must be treated as Waste Electrical & Electronic Equipment (WEEE). Any WEEE marked products must not be mixed with general household waste, but kept separate for the treatment, recovery and recycling of the materials used. Contact your local authority for details of recycling schemes in your area.



Made in China. PR2 9PP

Man Rev 1.1