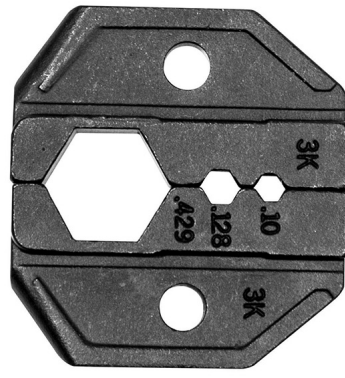




Crimp Die Set RG8/RG11/RG174/RG17/ RG213



Klein Tools VDV211-043 RG8/11/174/179/213 Coaxial Cable Die Set is for use with Klein's VDV200-010 Replacement Ratcheting Crimping Frame with Hex Crimp Connectors (sold separately). Made from induction hardened high-carbon steel for durability and long life. Designed to be easy to change from one to the next and for multiple uses.

Specifications

Application:	Cable Connection	Die Set:	RG8/RG11/RG174/RG179/RG213
Nest Dimension:	0.100"/0.128"/0.429" 2.54/3.25/10.90 mm	Weight:	2.2 oz (64 g)