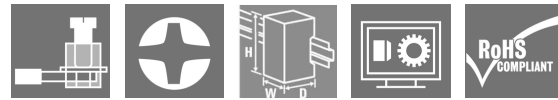


**D-SERIES DRI  
DRIKIT 24VDC 1CO LD**

**Weidmüller Interface GmbH & Co. KG**  
 Klingenbergstraße 26  
 D-32758 Detmold  
 Germany  
 Fon: +49 5231 14-0  
 Fax: +49 5231 14-292083  
 www.weidmueller.com

**Product image**



Similar to illustration

Our relay kits are particularly convenient to use. The kits are delivered fully assembled and 100 % function-tested. This saves assembly time and reduces the number of parts required.

- Assembled kit consisting of relay, base and retaining clip, incl. label
- 100% function-tested
- 100% control of the dielectric strength input - output
- Optional: test button with coloured control voltage marking (AC coil: red / DC coil: blue) and mechanical switch position indicator
- Bright status LED (AC coil: red / DC coil: green)

**General ordering data**

|            |  |
|------------|--|
| Type       | DRIKIT 24VDC 1CO LD  |
| Order No.  | <a href="#">2476680000</a>   |
| Version    | D-SERIES DRI, Relay module, Number of contacts: 1 CO contact AgSnO, Rated control voltage: 24 V DC, Continuous current: 10 A, Screw connection |
| GTIN (EAN) | 4050118496796  |
| Qty.       | 10 pc(s).  |

**D-SERIES DRI  
DRIKIT 24VDC 1CO LD**

**Weidmüller Interface GmbH & Co. KG**  
 Klingenbergstraße 26  
 D-32758 Detmold  
 Germany  
 Fon: +49 5231 14-0  
 Fax: +49 5231 14-292083  
 www.weidmueller.com

**Technical data****Dimensions and weights**

|            |         |                 |            |
|------------|---------|-----------------|------------|
| Width      | 15.8 mm | Width (inches)  | 0.622 inch |
| Height     | 80.2 mm | Height (inches) | 3.157 inch |
| Depth      | 67.7 mm | Depth (inches)  | 2.665 inch |
| Net weight | 58.8 g  |                 |            |

**Temperatures**

|                             |  |                             |                |
|-----------------------------|--|-----------------------------|----------------|
| Humidity                    | 35...85 % rel. humidity, no condensation | Operating temperature, max. | 55 °C          |
| Operating temperature, min. | -40 °C                                   | Storage temperature, max.   | 85 °C          |
| Storage temperature, min.   | -40 °C                                   | Operating temperature       | -40 °C...55 °C |
| Storage temperature         | -40 °C...85 °C                           |                             |                |

**Environmental Product Compliance**

|            |                |
|------------|----------------|
| REACH SVHC | Lead 7439-92-1 |
|------------|----------------|

**Input**

|                       |                     |                                |                 |
|-----------------------|---------------------|--------------------------------|-----------------|
| Rated control voltage | 24 V DC             | Rated current DC               | 21,8 mA         |
| Power rating          | 530 mW              | Pull-in/drop-out voltage, typ. | 18 V / 3.6 V DC |
| Coil resistance       | 1100 Ω ± 10 %       | Status indicator               | Green LED       |
| Protective circuit    | Free-wheeling diode |                                |                 |

**Output**

|   |                            |   |              |
|---|----------------------------|---|--------------|
| Rated switching voltage                 | 250 V AC                   | Max. switching voltage, AC              | 250 V        |
| Max. switching voltage, DC              | 250 V                      | Continuous current                      | 10 A         |
| AC switching capacity (resistive), max. | 2500 VA                    | DC switching capacity (resistive), max. | 240 W @ 24 V |
| Switch-on delay                         | ≤ 15 ms                    | Switch-off delay                        | ≤ 10 ms      |
| Min. switching power                    | 10 mA @ 12 V, 100 mA @ 5 V | Max. switching frequency at rated load  | 0.1 Hz       |

**Contact data**

|              |                      |                         |                                       |
|--------------|----------------------|-------------------------|---------------------------------------|
| Contact type | 1 CO contact (AgSnO) | Mechanical service life | 10 x 10 <sup>6</sup> switching cycles |
|--------------|----------------------|-------------------------|---------------------------------------|

**General data**

|                                      |       |             |       |
|--------------------------------------|-------|-------------|-------|
| Rail                                 | TS 35 | Test button | No    |
| Mechanical switch position indicator | No    | Colour      | black |

**Insulation coordination**

|  |                    |                                     |                              |
|--|--------------------|-------------------------------------|------------------------------|
| Rated voltage                                  | 250 V              | Surge voltage category              | III                          |
| Pollution severity                             | 2                  | Insulating material group           | IIIb                         |
| Protection degree                              | IP20               | Dielectric strength, Input/Output   | 4 kV <sub>eff</sub> / 1 Min. |
| Creepage and clearance distance input – output | ≥ 3 mm             | Dielectric strength of open contact | 1 kV <sub>eff</sub> / 1 min  |
| Impulse withstand voltage                      | 4.8 kV (1.2/50 μs) |                                     |                              |

**D-SERIES DRI  
DRIKIT 24VDC 1CO LD**

**Weidmüller Interface GmbH & Co. KG**  
 Klingenbergstraße 26  
 D-32758 Detmold  
 Germany  
 Fon: +49 5231 14-0  
 Fax: +49 5231 14-292083  
 www.weidmueller.com

**Technical data****Further details of approvals / standards**

|                              |  |                               |         |
|------------------------------|--|-------------------------------|---------|
| Standards                    | IEC 61810-1, EN 60664-1:2007, EN 61000-6-2:2005, EN 61000-6-4:2007 + A1:2011 | Certificate no. (cURus) relay | E312083 |
| Certificate no. (cURus) base | E355547  |                               |         |

**Connection data**

|   |                     |   |                      |
|---|---------------------|---|----------------------|
| Wire connection method  | Screw connection    | Stripping length, rated connection  | 8 mm                 |
| Tightening torque, min.   | 0.5 Nm              | Tightening torque, max.   | 0.8 Nm               |
| Clamping range, rated connection  | 1.5 mm <sup>2</sup> | Clamping range, min.  | 0.25 mm <sup>2</sup> |
| Clamping range, max.  | 4 mm <sup>2</sup>   | Wire cross-section, solid, min.   | 0.25 mm <sup>2</sup> |
| Wire cross-section, solid, max.   | 4 mm <sup>2</sup>   | Wire connection cross-section, finely stranded, min.                                    | 0.25 mm <sup>2</sup> |
| Wire connection cross section, finely stranded, max.                                    | 4 mm <sup>2</sup>   | Wire connection cross-section, finely stranded with wire-end ferrules DIN 46228/4, min. | 0.25 mm <sup>2</sup> |
| Wire connection cross-section, finely stranded with wire-end ferrules DIN 46228/4, max. | 4 mm <sup>2</sup>   | Conductor cross-section, flexible, AEH (DIN 46228-1), min.                              | 0.25 mm <sup>2</sup> |
| Conductor cross-section, flexible, AEH (DIN 46228-1), max.                              | 4 mm <sup>2</sup>   | Blade size  | size PH1             |
| Gauge to IEC 60947-1  | A3                  |   |                      |

**Classifications**

|             |             |            |             |
|-------------|-------------|------------|-------------|
| ETIM 6.0    | EC001437    | ETIM 7.0   | EC001437    |
| eClass 9.0  | 27-37-16-01 | eClass 9.1 | 27-37-16-01 |
| eClass 10.0 | 27-37-16-01 |            |             |

**Approvals**

Approvals



ROHS Conform

**Downloads**

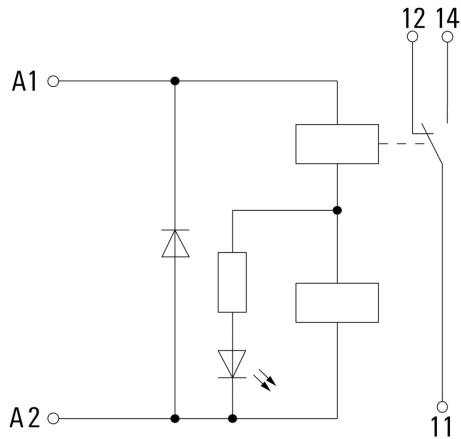
|   |   |
|---|---|
| Approval/Certificate/Document of Conformity | <a href="#">EU Konformitätserklärung / EU Declaration of Conformity</a> |
| Engineering Data                            | <a href="#">EPLAN, WSCAD, Zuken E3.S</a>                                |
| Engineering Data                            | <a href="#">STEP</a>  |

**D-SERIES DRI  
DRIKIT 24VDC 1CO LD**

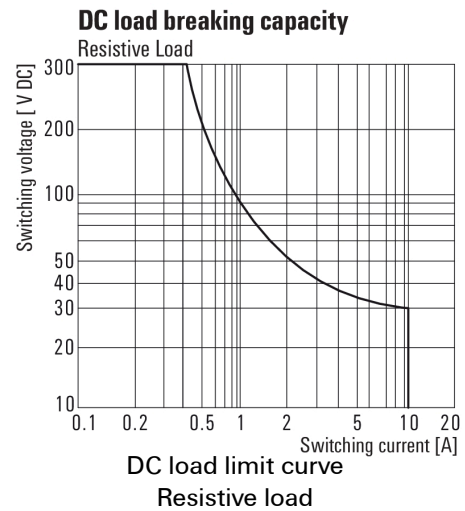
**Weidmüller Interface GmbH & Co. KG**  
 Klingenbergstraße 26  
 D-32758 Detmold  
 Germany  
 Fon: +49 5231 14-0  
 Fax: +49 5231 14-292083  
 www.weidmueller.com

**Drawings**

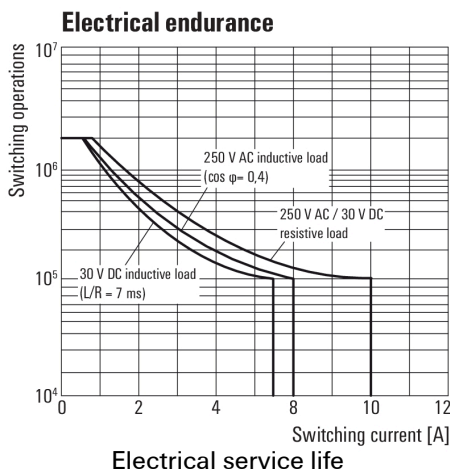
**Wiring diagram**



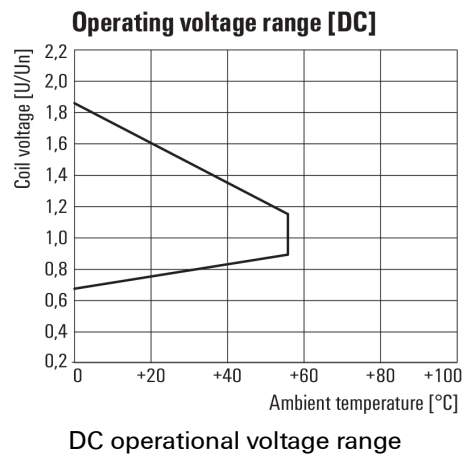
**Graph**



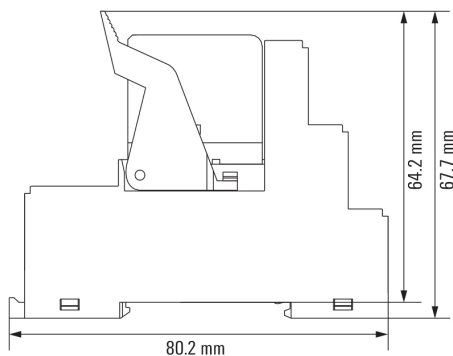
**Graph**



**Graph**



**Dimensional drawing**



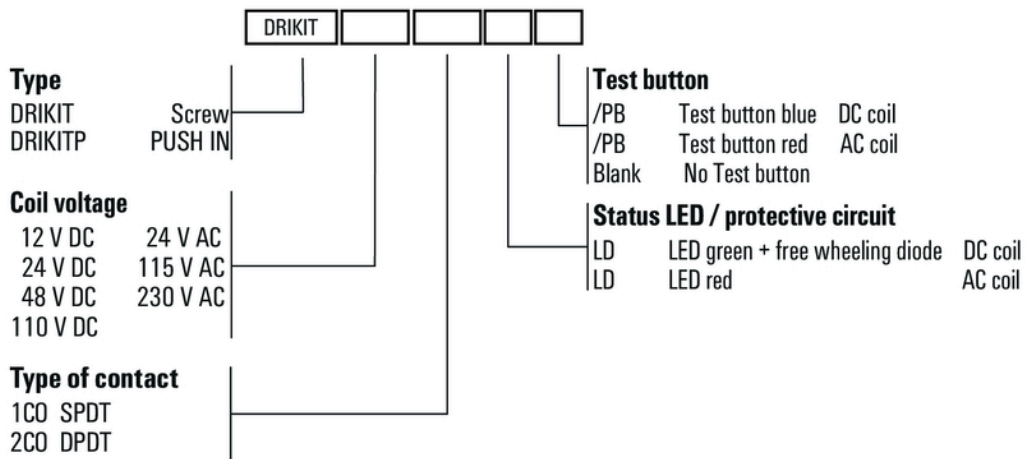
**Data sheet**

**D-SERIES DRI  
DRIKIT 24VDC 1CO LD**

**Weidmüller Interface GmbH & Co. KG**  
 Klingenbergstraße 26  
 D-32758 Detmold  
 Germany  
 Fon: +49 5231 14-0  
 Fax: +49 5231 14-292083  
 www.weidmueller.com

**Drawings**

**Miscellaneous**



Type codes