

SEIKO EPSON CORPORATION
Sales & Marketing Division.
Device Sales & Marketing Dept.
MICRODEVICES Operations Division.
TD Production Management Control Dept.

EOL Notice of Mold-type/Cylinder-type MHz range Crystal Unit

Dear Valued Customer,

Thank you for choosing SEIKO EPSON CORPORATION for your product. EPSON maintains a continuous effort to increase performance, delivery and flexibility of our product.

We would like to inform you that we will EOL the products as follows.

1. Products Affected: Mold-type / Cylinder-type MHz range Crystal Unit

Product Name	P/N	
MA-306	Q22MA3061xxxx xx	Q22MA3062xxxx xx
MA-406	Q22MA4061xxxx xx	Q22MA4062xxxx xx
MA-505	Q22MA5051xxxx xx	Q22MA5052xxxx xx
MA-506	Q22MA5061xxxx xx	Q22MA5062xxxx xx
CA-301	Q21CA3011xxxx xx	

2. Recommended alternative model

Although it is not pin compatible, please consider replacing with FA-238 / FA-238V / FA-20H / FA-128. There is no replacement for the frequency range (4.0000MHz or higher to less than 12.0000MHz).

3. EOL Schedule

Last Time buy: 30th September 2020
Last Shipping: 30th March 2021

4. Reason for EOL

Due to the aging of production facilities of our partner factory in Malaysia and the drastic decrease in the number of orders, it became difficult to maintain continuous production.

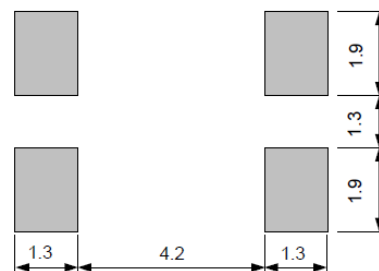
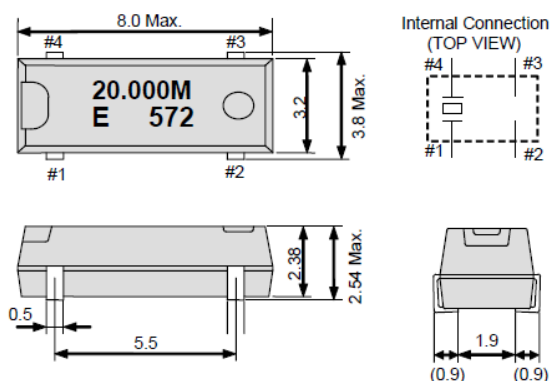
If you have any concern and/or request, please contact your regional Timing Device sales representative.

Sincerely yours,
SEIKO EPSON CORP.

【References】

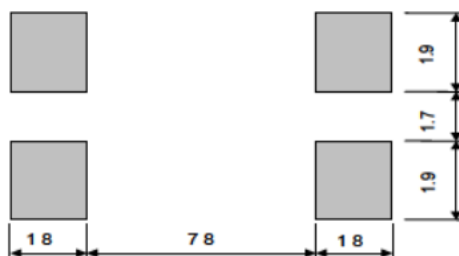
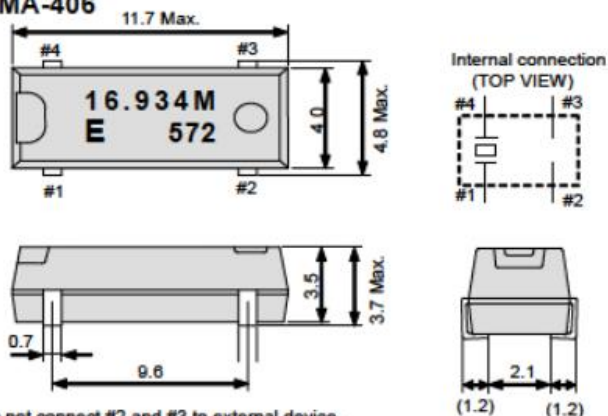
Products Affected (External Dimensions/Footprint) Unit: mm

● MA-306



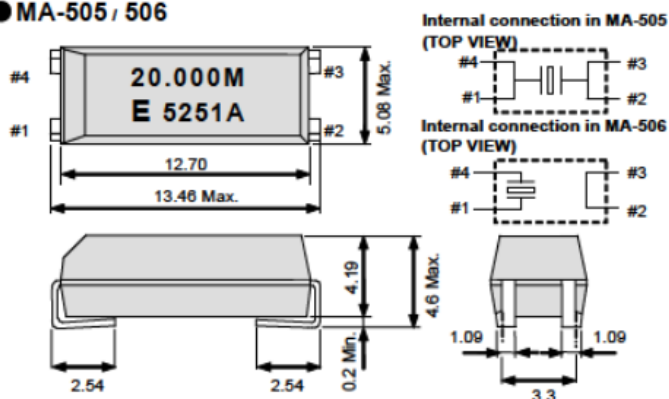
Do not connect #2 and #3 to external device.

● MA-406

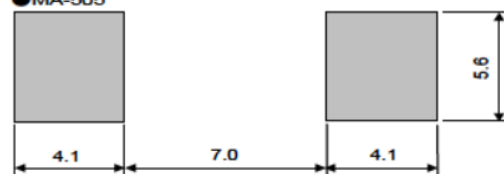


Do not connect #2 and #3 to external device.

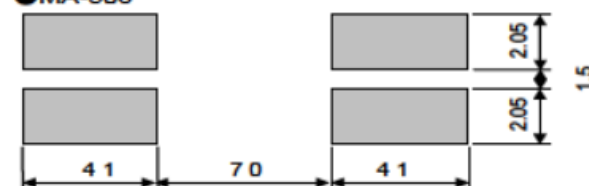
● MA-505 / 506



● MA-505

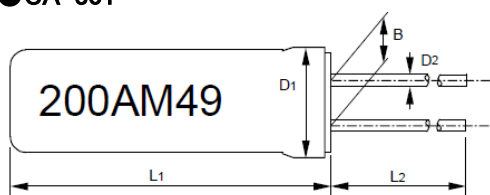


● MA-506



Do not connect #2 and #3 of MA-506 to external device.

● CA-301



Frequency	L1	L2	D1	D2	B
Under 5.5 MHz	9.3 Max.	9.5 Min.	φ 3.1 Max.	φ 0.3	1.1
Over 5.5 MHz	8.9 Max.	9.5 Min.	φ 3.1 Max.	φ 0.3	1.1

Recommended alternative model (External Dimensions/Footprint) Unit:mm

