

Handle Series

FG16-02

FG16-05

Material and surface:

Handle shanks made of high strength polyamide PA 6, black with fine structure. Handle ledge made of lathed PVC black.

Function elements:

FG16-02:

Push button 1 (change-over contact)
Push button 2 (NO contact)
2 LED's.

FG16-05:

Emergency-stop (2 NC contacts)
Push button 1 (change-over contact)
Push button 2 (NO contact)
2 LED's

FG16-00:

Basic handle, as FG16-02 and FG16-05, but without switch elements as counter-handle.

Connection:

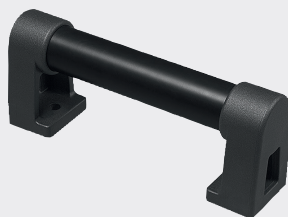
8-pole or 12-pole connector positioned at the tubular axle of the handle ledge in the handle shank.
Coupling with 10 m ready-made cable available as accessory.

Protection class:

IP 65 with coupling screwed on.

Note:

With connection cable other push button assignment or other handle lengths on request.



FG16-00.180.84

Counter-handle without electrical function elements.





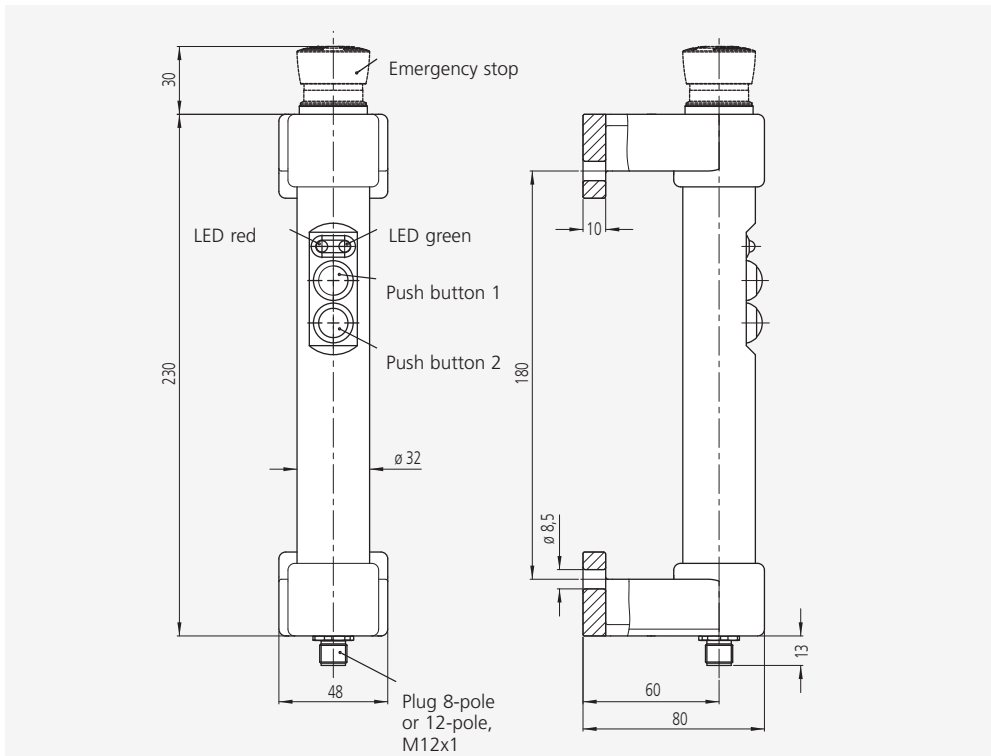
Typ FG16-02



Typ FG16-05

Switching function	Order no.
without switch elements	FG16-00.180.84
2 push button and 2 LED's	FG16-02S.180.84
Emergency stop, 2 push button and 2 LED's	FG16-05S.180.84
Other handle lengths on request	

		Handle accessories	
		Coupling with cable 8-pole (M12 x 1)	12-pole (M12 x 1)
	L	Order no.	Order no.
	10 m	FZ-KS.G08.10	FZ-KS.G12.10
	10 m	FZ-KS.W08.10	FZ-KS.W12.10



Technical data

Typ	FG16-02	FG16-05
Emergency stop (2 NC contacts)	without	
Push button 1 (1 change-over contact)		
Push button 2 (1 NO contact)		
LED red/green		
Emergency stop	-	1-42 V AC/DC max. 100 mA
Push buttons	24 V AC/DC max. 1,5 A	
Operating voltage LED	24 V DC (12 V optional)	
Connection type	8-pole M12 x 1	12-pole M12 x 1
Connector assignment (Plug side view)		

All dimensions in mm.

