



AMPLIVAR Terminals and Splices

TE Internal #: 62310-2

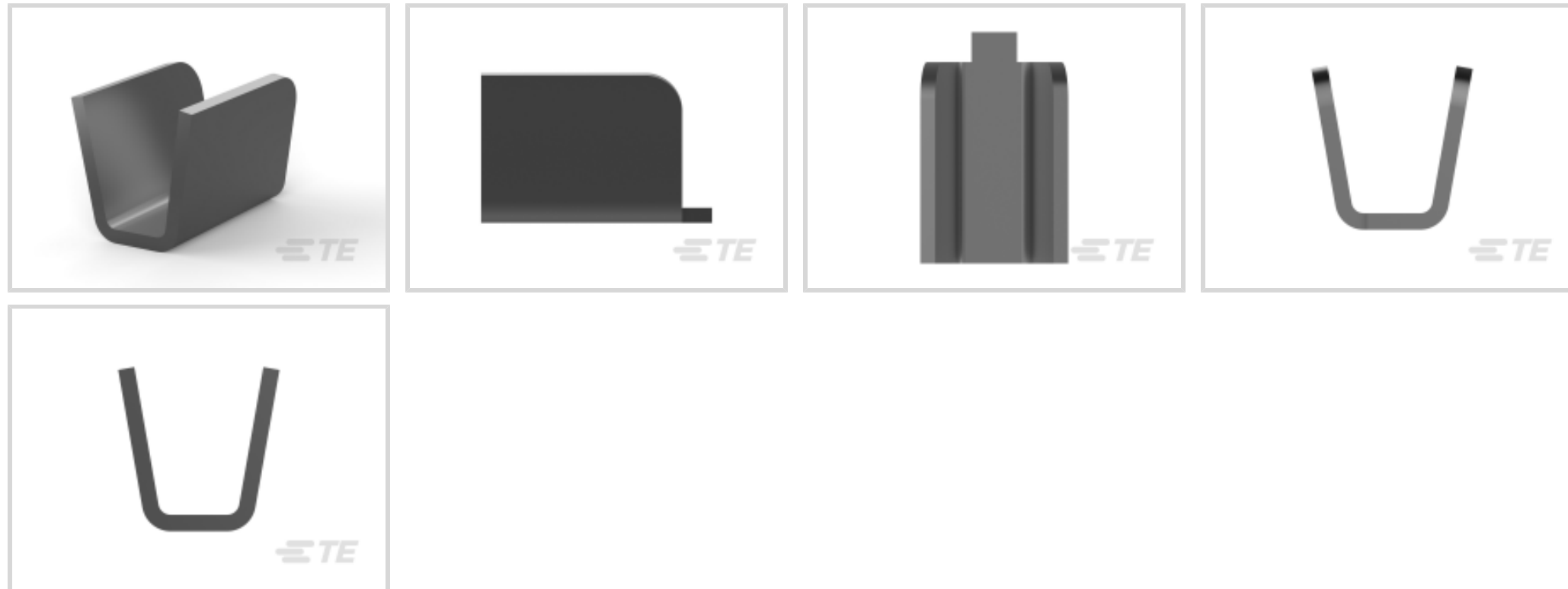
AMPLIVAR Terminals and Splices, Splices, Splice, Splice, 12 – 9

AWG, 3.46 – 6.38 mm², Splice Capacity 3, 7000 – 13000 CMA, Brass,

Pigtail Splice

[View on TE.com >](#)

Terminals & Splices > Splices



Product Type: **Splice**

Terminal & Splice Type: **Splice**

Wire Size: **3.46 – 6.38 mm²**

Sealable: **No**

Features

Product Type Features

Product Type	Splice
Sealable	No
Splice Type	Pigtail Splice
Serrated	Yes
Barrel Type	Open Barrel
Wire/Cable Type	Magnet Wire
Insulated	No

Configuration Features

Strip Orientation	End Feed
Splice Capacity	3
Number of Serrations	9

Electrical Characteristics

Operating Voltage	250 V
-------------------	-------

Body Features

--	--



Weight per Piece	.52 g
Plating Material	Tin
Splice Material	Brass

Contact Features

Contact Plating Material	Tin
Terminal & Splice Type	Splice

Termination Features

Crimp Width	4.57 mm[.18 in]
-------------	-----------------

Mechanical Attachment

Wire Insulation Support	Without
-------------------------	---------

Dimensions

Wire Size	7000 – 13000 CMA
Material Thickness	.64 mm[.025 in]
Overall Length	6.73 mm[.265 in]

Operation/Application

Heavy Duty	No
------------	----

Industry Standards

Government Qualified	No
----------------------	----

Packaging Features

Packaging Quantity	12500
Packaging Method	Strip

Product Compliance

[For compliance documentation, visit the product page on TE.com>](#)

EU RoHS Directive 2011/65/EU	Compliant
EU ELV Directive 2000/53/EC	Compliant
China RoHS 2 Directive MIIT Order No 32, 2016	No Restricted Materials Above Threshold
EU REACH Regulation (EC) No. 1907/2006	Current ECHA Candidate List: JAN 2020 (205) Candidate List Declared Against: JAN 2020 (205) Does not contain REACH SVHC
EU REACH Regulation (EC) No. 1907/2006	Current ECHA Candidate List: JAN 2020 (205)

Candidate List Declared Against: JAN 2020 (205)

Halogen Content

Low Halogen - Br, Cl, F, I < 900 ppm per homogenous material. Also BFR/CFR/PVC Free

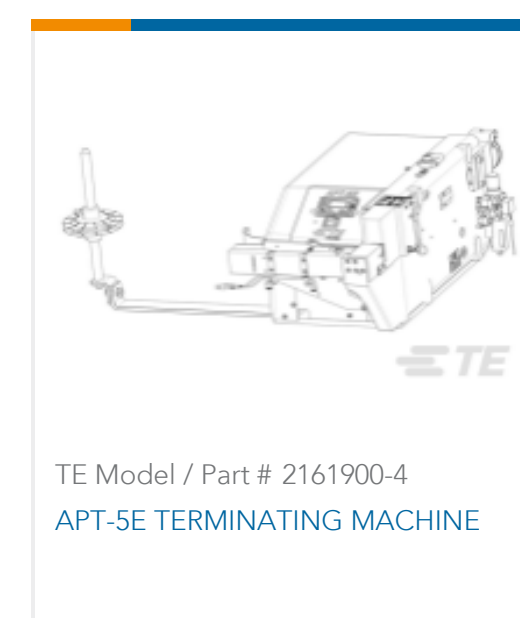
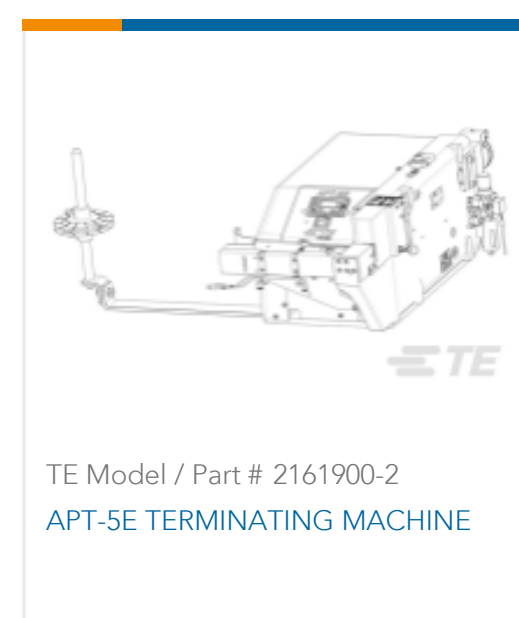
Solder Process Capability

Not applicable for solder process capability

Product Compliance Disclaimer

This information is provided based on reasonable inquiry of our suppliers and represents our current actual knowledge based on the information they provided. This information is subject to change. The part numbers that TE has identified as EU RoHS compliant have a maximum concentration of 0.1% by weight in homogenous materials for lead, hexavalent chromium, mercury, PBB, PBDE, DBP, BBP, DEHP, DIBP, and 0.01% for cadmium, or qualify for an exemption to these limits as defined in the Annexes of Directive 2011/65/EU (RoHS2). Finished electrical and electronic equipment products will be CE marked as required by Directive 2011/65/EU. Components may not be CE marked. Additionally, the part numbers that TE has identified as EU ELV compliant have a maximum concentration of 0.1% by weight in homogenous materials for lead, hexavalent chromium, and mercury, and 0.01% for cadmium, or qualify for an exemption to these limits as defined in the Annexes of Directive 2000/53/EC (ELV). Regarding the REACH Regulations, TE's information on SVHC in articles for this part number is still based on the European Chemical Agency (ECHA) 'Guidance on requirements for substances in articles' (Version: 2, April 2011), applying the 0.1% weight on weight concentration threshold at the finished product level. TE is aware of the European Court of Justice ruling of September 10th, 2015 also known as O5A (Once An Article Always An Article) stating that, in case of 'complex object', the threshold for a SVHC must be applied to both the product as a whole and simultaneously to each of the articles forming part of its composition. TE has evaluated this ruling based on the new ECHA "Guidance on requirements for substances in articles" (June 2017, version 4.0) and will be updating its statements accordingly.

Compatible Parts





KIT

REPRESENTATION ONLY

TE Model / Part # 7-2150136-7
OCEAN_2.0_SPARE_PART_KIT-180F

TE Model / Part # 2217600-4
APT-5A HF

TE Model / Part # 2217700-4
APT 5E HF

TE Model / Part # 2349829-1
SYSTEM, INVERTED SPLICE

TE Model / Part # 2349829-2
SYSTEM, INVERTED SPLICE

TE Model / Part # 2349829-3
APPLICATOR, INVERTED SPLICE

Also in the Series | **AMPLIVAR Terminals and Splices**




Crimp Wire Pins, Tabs & Ferrules(5)




Magnet Wire Terminals(4)



PCB Terminals(1)



Quick Disconnects(42)

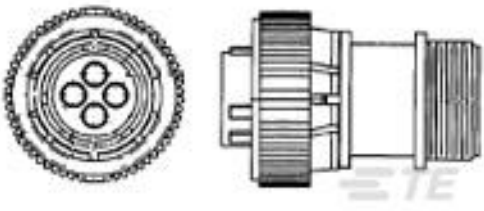


Rings & Spades(28)



Splices(84)

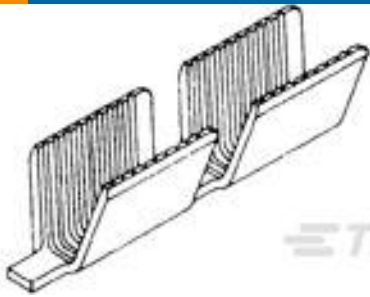
Customers Also Bought



TE Model / Part #211882-1
CPC PLUG ASSEMBLY SIZE 11



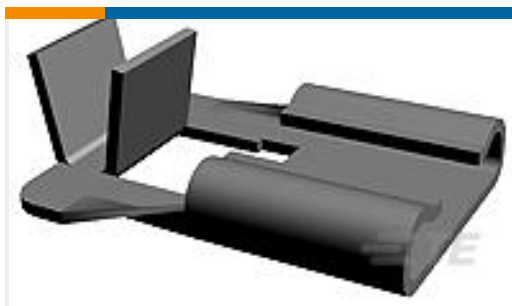
TE Model / Part #51979-2
TERMINAL_COPALUM 12-10 10



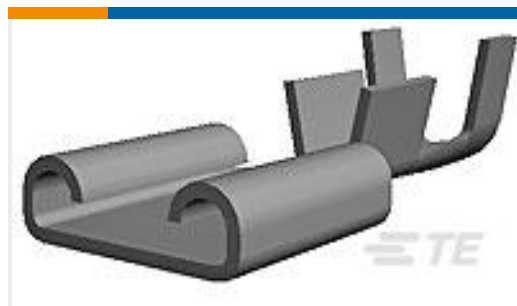
TE Model / Part #62311-2
AMVAR SPLC 10M-17M 0295 TPBR



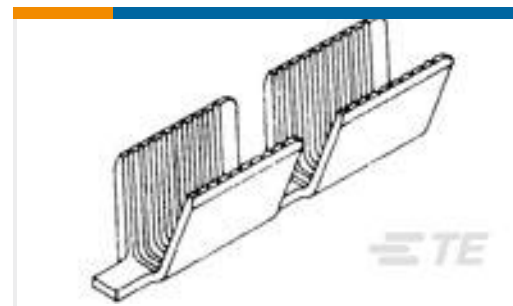
TE Model / Part #41800
FASTON 250 REC FLAG 18-12 AWG
TPPB



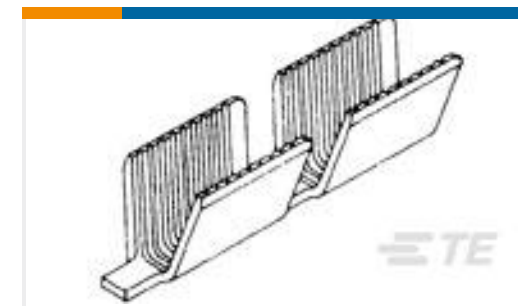
TE Model / Part #63096-1
FASTON 250 FLAG REC 18-14 AWG
BR



TE Model / Part #41774
FASTON 250(6.3 MM) REC 18-14 AWG
TPPHBZ



TE Model / Part #62308-2
AMVAR SPLC 3000-7000 020TPBR



TE Model / Part #62306-2
AMVAR SPLC 1500-5000 020TPBR



TE Model / Part #926823-2
AM WIRE PIN 20-17 .013 PTPB

Documents

Product Drawings

[AMVAR SPLC 7000-13000 025TPBR](#)

English

CAD Files

[3D PDF](#)

3D

Customer View Model

[ENG_CVM_CVM_62310-2_L.2d_dxf.zip](#)

English

Customer View Model

[ENG_CVM_CVM_62310-2_L.3d_igs.zip](#)

English

Customer View Model

[ENG_CVM_CVM_62310-2_L.3d_stp.zip](#)

English

By downloading the CAD file I accept and agree to the [Terms and Conditions](#) of use.

Datasheets & Catalog Pages

[1654742_HOUSEHOLD_APPLIANCES_RAST5](#)

English

Magnet Wire Terminals & Splices

English

Product Specifications

[Application Specification](#)

English



Product Environmental Compliance

TE Material Declaration

English