



Product Change Notification - SYST-21LMFR637

Date:

22 Apr 2020

Product Category:

32-bit Microcontrollers

Affected CPNs:**Notification subject:**

ERRATA - PIC32MX1XX/2XX/5XX 64/100-pin Family Silicon Errata and Data Sheet Clarification

Notification text:

SYST-21LMFR637

Microchip has released a new Product Documents for the PIC32MX1XX/2XX/5XX 64/100-pin Family Silicon Errata and Data Sheet Clarification of devices. If you are using one of these devices please read the document located at [PIC32MX1XX/2XX/5XX 64/100-pin Family Silicon Errata and Data Sheet Clarification](#).

Notification Status: Final

Description of Change: Clarified Silicon Issues 17. Module: I/O Port - Initial Pin State and 18. Module: USB Low-Speed Mode to denote the lack of a Revision A2 silicon for devices with 256/512 KB Device Flash Memory.

Impacts to Data Sheet: None

Reason for Change: To Improve Productivity

Change Implementation Status: Complete

Date Document Changes Effective: 22 Apr 2020

NOTE: Please be advised that this is a change to the document only the product has not been changed.

Markings to Distinguish Revised from Unrevised Devices: N/A

Attachment(s):

[PIC32MX1XX/2XX/5XX 64/100-pin Family Silicon Errata and Data Sheet Clarification](#)

Please contact your local [Microchip sales office](#) with questions or concerns regarding this notification.

Terms and Conditions:

If you wish to receive Microchip PCNs via email please register for our PCN email service at our [PCN home page](#) select register then fill in the required fields. You will find instructions about registering for Microchips PCN email service in the [PCN FAQ](#) section.

If you wish to change your PCN profile, including opt out, please go to the [PCN home page](#) select login and sign into your myMicrochip account. Select a profile option from the left navigation bar and make the applicable selections.

Affected Catalog Part Numbers (CPN)

PIC32MX120F064H-50I/MR
PIC32MX120F064H-50I/PT
PIC32MX120F064H-I/MR
PIC32MX120F064H-I/PT
PIC32MX120F064H-V/MR
PIC32MX120F064H-V/PT
PIC32MX120F064HT-50I/MR
PIC32MX120F064HT-50I/PT
PIC32MX120F064HT-I/MR
PIC32MX120F064HT-I/MRH21
PIC32MX120F064HT-I/PT
PIC32MX120F064HT-V/MR
PIC32MX120F064HT-V/PT
PIC32MX130F128H-50I/MR
PIC32MX130F128H-50I/PT
PIC32MX130F128H-I/MR
PIC32MX130F128H-I/PT
PIC32MX130F128H-V/MR
PIC32MX130F128H-V/PT
PIC32MX130F128HT-50I/MR
PIC32MX130F128HT-50I/PT
PIC32MX130F128HT-I/MR
PIC32MX130F128HT-I/PT
PIC32MX130F128HT-V/MR
PIC32MX130F128HT-V/PT
PIC32MX130F128L-50I/PF
PIC32MX130F128L-50I/PT
PIC32MX130F128L-I/PF
PIC32MX130F128L-I/PT
PIC32MX130F128L-V/PF
PIC32MX130F128L-V/PT
PIC32MX130F128LT-50I/PF
PIC32MX130F128LT-50I/PT
PIC32MX130F128LT-I/PF
PIC32MX130F128LT-I/PT
PIC32MX130F128LT-V/PF
PIC32MX130F128LT-V/PT
PIC32MX150F256H-50I/MR
PIC32MX150F256H-50I/PT
PIC32MX150F256H-I/MR
PIC32MX150F256H-I/PT
PIC32MX150F256H-V/MR
PIC32MX150F256H-V/PT
PIC32MX150F256HT-50I/MR
PIC32MX150F256HT-50I/PT
PIC32MX150F256HT-I/MR

PIC32MX150F256HT-I/PT
PIC32MX150F256HT-V/MR
PIC32MX150F256HT-V/PT
PIC32MX150F256L-50I/PF
PIC32MX150F256L-50I/PT
PIC32MX150F256L-I/PF
PIC32MX150F256L-I/PT
PIC32MX150F256L-V/PF
PIC32MX150F256L-V/PT
PIC32MX150F256LT-50I/PF
PIC32MX150F256LT-50I/PT
PIC32MX150F256LT-I/PF
PIC32MX150F256LT-I/PT
PIC32MX150F256LT-V/PF
PIC32MX150F256LT-V/PT
PIC32MX170F512H-50I/MR
PIC32MX170F512H-50I/PT
PIC32MX170F512H-I/MR
PIC32MX170F512H-I/PT
PIC32MX170F512H-V/MR
PIC32MX170F512H-V/PT
PIC32MX170F512HT-50I/MR
PIC32MX170F512HT-50I/PT
PIC32MX170F512HT-I/MR
PIC32MX170F512HT-I/PT
PIC32MX170F512HT-V/MR
PIC32MX170F512HT-V/PT
PIC32MX170F512L-50I/PF
PIC32MX170F512L-50I/PT
PIC32MX170F512L-I/PF
PIC32MX170F512L-I/PT
PIC32MX170F512L-V/PF
PIC32MX170F512L-V/PT
PIC32MX170F512LT-50I/PF
PIC32MX170F512LT-50I/PT
PIC32MX170F512LT-I/PF
PIC32MX170F512LT-I/PT
PIC32MX170F512LT-V/PF
PIC32MX170F512LT-V/PT
PIC32MX230F128H-50I/MR
PIC32MX230F128H-50I/PT
PIC32MX230F128H-I/MR
PIC32MX230F128H-I/MR21
PIC32MX230F128H-I/PT
PIC32MX230F128H-V/MR
PIC32MX230F128H-V/PT
PIC32MX230F128HT-50I/MR
PIC32MX230F128HT-50I/PT
PIC32MX230F128HT-I/MR

PIC32MX230F128HT-I/MRJ21
PIC32MX230F128HT-I/PT
PIC32MX230F128HT-V/MR
PIC32MX230F128HT-V/PT
PIC32MX230F128L-50I/PF
PIC32MX230F128L-50I/PT
PIC32MX230F128L-I/PF
PIC32MX230F128L-I/PT
PIC32MX230F128L-V/PF
PIC32MX230F128L-V/PT
PIC32MX230F128LT-50I/PF
PIC32MX230F128LT-50I/PT
PIC32MX230F128LT-I/PF
PIC32MX230F128LT-I/PT
PIC32MX230F128LT-V/PF
PIC32MX230F128LT-V/PT
PIC32MX250F256H-50I/MR
PIC32MX250F256H-50I/MRJ21
PIC32MX250F256H-50I/PT
PIC32MX250F256H-I/MR
PIC32MX250F256H-I/PT
PIC32MX250F256H-V/MR
PIC32MX250F256H-V/PT
PIC32MX250F256HT-50I/MR
PIC32MX250F256HT-50I/MRJ21
PIC32MX250F256HT-50I/PT
PIC32MX250F256HT-I/MR
PIC32MX250F256HT-I/PT
PIC32MX250F256HT-V/MR
PIC32MX250F256HT-V/PT
PIC32MX250F256L-50I/PF
PIC32MX250F256L-50I/PT
PIC32MX250F256L-I/PF
PIC32MX250F256L-I/PT
PIC32MX250F256L-V/PF
PIC32MX250F256L-V/PT
PIC32MX250F256LT-50I/PF
PIC32MX250F256LT-50I/PT
PIC32MX250F256LT-I/PF
PIC32MX250F256LT-I/PT
PIC32MX250F256LT-V/PF
PIC32MX250F256LT-V/PT
PIC32MX270F512H-50I/MR
PIC32MX270F512H-50I/MR021
PIC32MX270F512H-50I/MR022
PIC32MX270F512H-50I/PT
PIC32MX270F512H-50I/PT020
PIC32MX270F512H-I/MR
PIC32MX270F512H-I/PT

PIC32MX270F512H-V/MR
PIC32MX270F512H-V/PT
PIC32MX270F512HT-50I/MR
PIC32MX270F512HT-50I/MR021
PIC32MX270F512HT-50I/MR022
PIC32MX270F512HT-50I/PT
PIC32MX270F512HT-50I/PT020
PIC32MX270F512HT-I/MR
PIC32MX270F512HT-I/PT
PIC32MX270F512HT-V/MR
PIC32MX270F512HT-V/PT
PIC32MX270F512L-50I/PF
PIC32MX270F512L-50I/PT
PIC32MX270F512L-I/PF
PIC32MX270F512L-I/PT
PIC32MX270F512L-V/PF
PIC32MX270F512L-V/PT
PIC32MX270F512LT-50I/PF
PIC32MX270F512LT-50I/PT
PIC32MX270F512LT-I/PF
PIC32MX270F512LT-I/PT
PIC32MX270F512LT-V/PF
PIC32MX270F512LT-V/PT
PIC32MX530F128H-50I/MR
PIC32MX530F128H-50I/PT
PIC32MX530F128H-I/MR
PIC32MX530F128H-I/PT
PIC32MX530F128H-V/MR
PIC32MX530F128H-V/PT
PIC32MX530F128HT-50I/MR
PIC32MX530F128HT-50I/PT
PIC32MX530F128HT-I/MR
PIC32MX530F128HT-I/PT
PIC32MX530F128HT-V/MR
PIC32MX530F128HT-V/PT
PIC32MX530F128L-50I/PF
PIC32MX530F128L-50I/PT
PIC32MX530F128L-I/PF
PIC32MX530F128L-I/PT
PIC32MX530F128L-V/PF
PIC32MX530F128L-V/PT
PIC32MX530F128LT-50I/PF
PIC32MX530F128LT-50I/PT
PIC32MX530F128LT-I/PF
PIC32MX530F128LT-I/PT
PIC32MX530F128LT-V/PF
PIC32MX530F128LT-V/PT
PIC32MX550F256H-50I/MR
PIC32MX550F256H-50I/PT

PIC32MX550F256H-I/MR
PIC32MX550F256H-I/PT
PIC32MX550F256H-V/MR
PIC32MX550F256H-V/PT
PIC32MX550F256HT-50I/MR
PIC32MX550F256HT-50I/PT
PIC32MX550F256HT-I/MR
PIC32MX550F256HT-I/PT
PIC32MX550F256HT-V/MR
PIC32MX550F256HT-V/PT
PIC32MX550F256L-50I/PF
PIC32MX550F256L-50I/PT
PIC32MX550F256L-I/PF
PIC32MX550F256L-I/PT
PIC32MX550F256L-V/PF
PIC32MX550F256L-V/PT
PIC32MX550F256LT-50I/PF
PIC32MX550F256LT-50I/PT
PIC32MX550F256LT-I/PF
PIC32MX550F256LT-I/PT
PIC32MX550F256LT-V/PF
PIC32MX550F256LT-V/PT
PIC32MX570F512H-50I/MR
PIC32MX570F512H-50I/PT
PIC32MX570F512H-I/MR
PIC32MX570F512H-I/PT
PIC32MX570F512H-V/MR
PIC32MX570F512H-V/PT
PIC32MX570F512HT-50I/MR
PIC32MX570F512HT-50I/PT
PIC32MX570F512HT-I/MR
PIC32MX570F512HT-I/PT
PIC32MX570F512HT-V/MR
PIC32MX570F512HT-V/PT
PIC32MX570F512L-50I/PF
PIC32MX570F512L-50I/PT
PIC32MX570F512L-I/PF
PIC32MX570F512L-I/PT
PIC32MX570F512L-V/PF
PIC32MX570F512L-V/PT
PIC32MX570F512LT-50I/PF
PIC32MX570F512LT-50I/PT
PIC32MX570F512LT-I/PF
PIC32MX570F512LT-I/PT
PIC32MX570F512LT-V/PF
PIC32MX570F512LT-V/PT



PIC32MX1XX/2XX/5XX 64/100-PIN FAMILY

PIC32MX1XX/2XX/5XX 64/100-pin Family Silicon Errata and Data Sheet Clarification

The PIC32MX1XX/2XX/5XX 64/100-pin family devices that you have received conform functionally to the current Device Data Sheet (DS60001290F), except for the anomalies described in this document.


The errata described in this document will be addressed in future revisions of the PIC32MX1XX/2XX/5XX 64/100-pin family silicon.

Note: The silicon issues discussed in the following pages are for silicon revisions with the Device and Revision IDs listed in [Table 1](#) and [Table 2](#). The last column of each table represents the latest silicon revision for the devices listed. If applicable, the silicon issues are summarized in [Table 3](#).

Data Sheet clarifications and corrections, if applicable, start on [page 10](#).

The silicon revision level can be identified using the current version of MPLAB® X IDE and Microchip's programmers, debuggers and emulation tools, which are available at the Microchip corporate web site (www.microchip.com).

For example, to identify the silicon revision level using MPLAB X IDE in conjunction with a hardware debugger:

1. Using the appropriate interface, connect the device to the hardware debugger.
2. Open an MPLAB X IDE project.
3. Configure the MPLAB X IDE project for the appropriate device and hardware debugger.
4. Select *Window > Dashboard*, and then click the **Refresh Debug Tool Status** icon ().
5. The part number and the Device and Revision ID values appear in the **Output** window.

Note: If you are unable to extract the silicon revision level, please contact your local Microchip sales office for assistance.

The Device and Revision ID values for the various PIC32MX1XX/2XX/5XX 64/100-pin family silicon revisions are shown in [Table 1](#) and [Table 2](#).

TABLE 1: SILICON DEVREV VALUES FOR DEVICES WITH 256 KB OR 512 KB OF FLASH MEMORY

Part Number	Device ID ⁽¹⁾	Revision ID for Silicon Revision ⁽¹⁾
		A0
PIC32MX150F256H	0x06A10053	0x0
PIC32MX150F256L	0x06A11053	
PIC32MX170F512H	0x06A30053	
PIC32MX170F512L	0x06A31053	
PIC32MX250F256H	0x06A12053	
PIC32MX250F256L	0x06A13053	
PIC32MX270F512H	0x06A32053	
PIC32MX270F512L	0x06A33053	
PIC32MX550F256H	0x06A14053	
PIC32MX550F256L	0x06A15053	
PIC32MX570F512H	0x06A34053	
PIC32MX570F512L	0x06A35053	

Note 1: Refer to the “**Memory Organization**” and “**Special Features**” chapters in the current Device Data Sheet (DS60001290F) for detailed information on Device and Revision IDs for your specific device.

PIC32MX1XX/2XX/5XX 64/100-PIN

TABLE 2: SILICON DEVREV VALUES FOR DEVICES WITH 64 KB OR 128 KB OF FLASH MEMORY

Part Number	Device ID ⁽¹⁾	Revision ID for Silicon Revision ⁽¹⁾	
		A0	A2
PIC32MX120F064H	0x06A50053	0x0	0x2
PIC32MX130F128H	0x06A00053		
PIC32MX130F128L	0x06A01053		
PIC32MX230F128H	0x06A02053		
PIC32MX230F128L	0x06A03053		
PIC32MX530F128H	0x06A04053		
PIC32MX530F128L	0x06A05053		

Note 1: Refer to the “**Memory Organization**” and “**Special Features**” chapters in the current Device Data Sheet (DS60001290F) for detailed information on Device and Revision IDs for your specific device.

PIC32MX1XX/2XX/5XX 64/100-PIN

TABLE 3: SILICON ISSUE SUMMARY

Module	Feature	Item	Issue Summary	Device Flash Memory (KB)	Affected Revisions	
					A0	A2
ADC	Differential Nonlinearity	1.	The ADC module is not within the published data sheet specification when operating at a conversion rate above 500 ksp/s.	64/128	X	X
				256/512	X	—
Clock	Clock Out	2.	A clock signal is present on the CLKO pin, regardless of the clock source and setting of the CLKO Enable Configuration bit, during a Power-on Reset (POR) condition.	64/128	X	X
				256/512	X	—
JTAG	Boundary Scan	3.	Boundary scan is not supported.	64/128	X	X
				256/512	X	—
Watchdog Timer	Windowed Watchdog	4.	Clearing the Watchdog Timer inside the window when in Window mode may cause a reset.	64/128	X	X
				256/512	X	—
USB	Idle Interrupt	5.	USB Idle interrupts cease if the IDLEIF flag is cleared and the bus is left idle for more than 3 ms.	64/128	X	X
				256/512	X	—
UART	Receive Overflow	6.	A receive FIFO overflow condition causes the shift register to stop receiving data and lose synchronization with the serial data stream.	64/128	X	X
				256/512	X	—
Comparator Voltage	—	7.	Some operational mode combinations of the Comparator Voltage Reference do not meet the data sheet specifications.	64/128	X	X
				256/512	X	—
Comparator Voltage Reference	—	8.	The Comparator Voltage Reference always behaves as if the CVRR bit is = 1, which specifies a range of 0 to 0.67 CVRSRC with a CVRSRC/24 step size.	64/128	X	X
				256/512	X	—
CTMU	Trigger	9.	The EDGEN bit generates a glitch on the CTED input causing a false trigger.	64/128	X	X
				256/512	X	—
CTMU	Module Operation	10.	The CTMU module is not functional.	64/128	X	
				256/512	X	—
ADC	IVREF	11.	The IVREF input to the ADC is not functional.	64/128	X	X
				256/512	X	—
HVD	HVDR	12.	On power-up, the High-Voltage Detect Reset event flag, HVDR bit in the RCON register, is being set.	64/128	X	X
				256/512	X	—
Power-Saving Modes	Idle	13.	On exit from Sleep mode, the SLEEP and IDLE status bits in the RCON register are being set.	64/128	X	X
				256/512	X	—
UART	Auto-baud	14.	Auto-baud does not function to set the baud rate.	64/128	X	X
				256/512	X	—
Bus Matrix	Flash Size	15.	The Flash Memory Size register (BMXPFMSZ) was not programmed with the correct value.	64/128	Date code pre-1750	
				256/512		

Legend: An 'X' indicates the issue is present in this revision of silicon; shaded cells with an Em dash ('—') indicate that this silicon revision does not exist for this issue; blank cells indicate an issue has been corrected or does not exist in this revision of silicon.

PIC32MX1XX/2XX/5XX 64/100-PIN

TABLE 3: SILICON ISSUE SUMMARY (CONTINUED)

Module	Feature	Item	Issue Summary	Device Flash Memory (KB)	Affected Revisions	
					A0	A2
I/O Port	Drive Strength	16.	Pins RD15 & RF13 must be considered 4x Sink Driver Pins and not 8x Sink Driver Pins.	64/128	X	X
				256/512	X	—
I/O Port - Initial Pin State	Initial Pin State	17.	Random pin active output on power up.	64/128	X	X
				256/512	X	—
USB Low-Speed Mode	USB Low Speed	18.	USB Low-Speed Device and Host mode is not supported.	64/128	X	X
				256/512	X	—

Legend: An 'X' indicates the issue is present in this revision of silicon; shaded cells with an Em dash ("—") indicate that this silicon revision does not exist for this issue; blank cells indicate an issue has been corrected or does not exist in this revision of silicon.

PIC32MX1XX/2XX/5XX 64/100-PIN

Silicon Errata Issues

- Note 1:** This document summarizes all silicon errata issues from all revisions of silicon, previous as well as current. The table provided in each issue indicates which issues exist for a particular revision of silicon based on Flash memory size.
- 2:** The following applies to the Affected Silicon Revision tables in each silicon issue:
- An 'X' indicates the issue is present in this revision of silicon
 - Shaded cells with an Em dash ('—') indicate that this silicon revision does not exist for this issue
 - Blank cells indicate an issue has been corrected or does not exist in this revision of silicon.

1. Module: ADC

When the ADC is configured for 10-bit operation, the specifications in the data sheet are not met for operation above 500 ksps.

Work around

For 600 ksps operation, $R_{IN} = 500$ ohms, $T_{SAMP} = 2$ TAD. The module specifications are shown in [Table 4](#). For 1000 ksps operation, $R_{IN} = 200$ ohms, $T_{SAMP} = 2$ TAD. The module specifications are shown in [Table 5](#).

TABLE 4: 600 KSPS OPERATION

Parameter No.	Symbol	Minimum	Typical	Maximum	Units
AD17	R_{IN}	—	—	200	Ohm
ADC Accuracy – Measurements taken with External V_{REF+}/V_{REF-}					
AD21c	INL	-1.5	—	1.5	LSB
AD22c	DNL	-1.4	—	2.1	LSB
AD23c	GERR	-1.2	—	1.2	LSB
ADC Accuracy – Measurements taken with Internal V_{REF+}/V_{REF-}					
AD21d	INL	-1.5	—	1.5	LSB
AD22d	DNL	-1.4	—	2.1	LSB

TABLE 5: 1000 KSPS OPERATION

Parameter No.	Symbol	Minimum	Typical	Maximum	Units
AD17	R_{IN}	—	—	200	Ohm
ADC Accuracy – Measurements taken with External V_{REF+}/V_{REF-}					
AD21c	INL	-5.2	—	6.5	LSB
AD22c	DNL	-3.4	—	7	LSB
AD23c	GERR	-1.5	—	1.5	LSB
ADC Accuracy – Measurements taken with Internal V_{REF+}/V_{REF-}					
AD21d	INL	-5.2	—	6.5	LSB
AD22d	DNL	-3.4	—	7	LSB

Affected Silicon Revisions

Device Flash Memory (KB)	Device Silicon Revision				
	A0	A2			
64/128	X	X			
256/512	X	—			

PIC32MX1XX/2XX/5XX 64/100-PIN

2. Module: Clock

A clock signal is present on the CLKO pin, regardless of the clock source and setting of the CLKO Enable Configuration bit, OSCIOFNC (DEVCFG1<10>), during a Power-on Reset (POR) condition.

Work around

Do not connect the CLKO pin to a device that would be adversely affected by rapid pin toggling or a frequency other than that defined by the oscillator configuration. Do not use the CLKO pin as an input if the device connected to the CLKO pin would be adversely affected by the pin driving a signal out.

Affected Silicon Revisions

Device Flash Memory (KB)	Device Silicon Revision				
	A0	A2			
64/128	X	X			
256/512	X	—			

3. Module: JTAG

Boundary Scan is not supported.

Work around

None.

Affected Silicon Revisions

Device Flash Memory (KB)	Device Silicon Revision				
	A0	A2			
64/128	X	X			
256/512	X	—			

4. Module: Watchdog Timer

When the Watchdog Timer module is used in Windowed mode, the module may issue a reset even if the user tries to clear the module within the allowed window.

Work around

None.

Affected Silicon Revisions

Device Flash Memory (KB)	Device Silicon Revision				
	A0	A2			
64/128	X	X			
256/512	X	—			

5. Module: USB

If the bus has been idle for more than 3 ms, the IDLEIF interrupt flag is set. If software clears the interrupt flag and the bus remains idle, the IDLEIF interrupt flag will not be set again.

Work around

Software can leave the IDLEIF bit set until it has received some indication of bus resumption (i.e., Resume, Reset, SOF, or Error).

Note: Resume and Reset are the only interrupts that should be following IDLEIF assertion. If the IDLEIF bit is set, it should be okay to suspend the USB module (as long as this code is protected by the GUARD and/or ACTPEND logic). This will require software to clear the IDLEIF interrupt enable bit to exit the USB ISR (if using interrupt driven code).

Affected Silicon Revisions

Device Flash Memory (KB)	Device Silicon Revision				
	A0	A2			
64/128	X	X			
256/512	X	—			

PIC32MX1XX/2XX/5XX 64/100-PIN

6. Module: UART

During receive FIFO overflow conditions, the shift register stops receiving data, which causes the UART to lose synchronization with the serial data stream.

The only way to recover from this condition is to turn the UART OFF and ON until it synchronizes. This could require several OFF/ON sequences.

Work arounds

Work around 1:

Avoid the RX overrun condition by ensuring that the UARTx module has a high enough interrupt priority such that other peripheral interrupt processing latencies do not exceed the time to overrun the UART RX buffer based on the application baud rate. Alternately or in addition to, set the URXISEL bits in the UxSTA register to generate an earlier RX interrupt based on RX FIFO fill status to buy more time for interrupt latency processing requirements.

Work around 2:

If avoiding RX FIFO overruns is not possible, implement a ACK/NAK software handshake protocol to repeat lost packet transfers after restoring UART synchronization.

Affected Silicon Revisions

Device Flash Memory (KB)	Device Silicon Revision				
	A0	A2			
64/128	X	X			
256/512	X	—			

7. Module: Comparator Voltage

Three of the four Comparator Voltage Reference operational modes, defined in Table 6, do not meet data sheet specifications.

TABLE 6:

CVRCON <CVRSS>	CVRCON <CVRR>	Accuracy Specification	Actual Accuracy
0 = (AVDD/AVSS)	0 = (CVRSRC/32)	0.5 LSB	8.2 LSB
0 = (AVDD/AVSS)	1 = (CVRSRC/24)	0.25 LSB	0.34 LSB
1 = (VREF+/VREF-)	0 = (CVRSRC/32)	0.5 LSB	8.2 LSB

Work around

If possible, set both the CVRSS bit (CVRCON<4>) and the CVRR bit (CVRCON<5>) to '1', which specifies the Comparator Voltage Reference source CVRSRC = [(VREF+) - (VREF-)] and 0 to 0.67 CVRSRC with a step size of CVRSRC/24, respectively.

Affected Silicon Revisions

Device Flash Memory (KB)	Device Silicon Revision				
	A0	A2			
64/128	X	X			
256/512	X	—			

8. Module: Comparator Voltage Reference

The Comparator Voltage Reference always behaves as if the CVRR bit (CVRCON<5>) is equal to '1', which specifies a range of 0 to 0.67 CVRSRC with a step size of CVRSRC/24, instead of a range of 0.25 to 0.75 CVRSRC and a step size of CVRSRC/32.

Work around

If possible, set the CVRR bit (CVRCON<5>) = 1 (i.e., 0 to 0.67 CVRSRC, with CVRSRC/24 step size, respectively).

Affected Silicon Revisions

Device Flash Memory (KB)	Device Silicon Revision				
	A0	A2			
64/128	X	X			
256/512	X	—			

PIC32MX1XX/2XX/5XX 64/100-PIN

9. Module: CTMU

The EDGEN bit generates a glitch on CTED input causing a false trigger.

Work around

None.

Affected Silicon Revisions

Device Flash Memory (KB)	Device Silicon Revision				
	A0	A2			
64/128	X	X			
256/512	X	—			

10. Module: CTMU

The CTMU module is not functional.

Work around

None.

Affected Silicon Revisions

Device Flash Memory (KB)	Device Silicon Revision				
	A0	A2			
64/128	X				
256/512	X	—			

11. Module: ADC

Converting the Internal Band Gap (IVREF) voltage source generates a High-Voltage Detect (HVD) event and aborts the conversion; therefore, this feature is not functional.

Work around

None.

Affected Silicon Revisions

Device Flash Memory (KB)	Device Silicon Revision				
	A0	A2			
64/128	X	X			
256/512	X	—			

12. Module: HVD

On power-up, the High-Voltage Detect Reset, event flag (HVDR bit in the RCON register) is set incorrectly.

On a power-up, only the POR, BOR, and EXTR bits should be set with the proper VCAP bypass capacitor value, as stated in the current data sheet.

Work around

Check the status of the POR bit in the RCON register when checking the HVDR bit. If the POR bit is set, both bits can be cleared as the HVDR bit is a false detection. If the POR bit is clear, the HVDR bit has been correctly detected and can be handled according to the requirements of the application.

Affected Silicon Revisions

Device Flash Memory (KB)	Device Silicon Revision				
	A0	A2			
64/128	X	X			
256/512	X	—			

13. Module: Power-Saving Modes

On exit from Sleep mode, both the SLEEP and IDLE status bits in the RCON register are set.

Work around

Add the following code to the user application at the point it wakes from Sleep mode:

```
rcon_var1 = RCON;
// ... enter Sleep mode
if (rcon_var1 & 0x4) Nop();
// If IDLE bit already set previously
// before sleep do nothing
else RCONbits.IDLE = 0x0;
// If IDLE bit is not set previously
// and is after Sleep mode then clear
```

Affected Silicon Revisions

Device Flash Memory (KB)	Device Silicon Revision				
	A0	A2			
64/128	X	X			
256/512	X	—			

PIC32MX1XX/2XX/5XX 64/100-PIN

14. Module: UART

The UART auto-baud feature is intended to set the baud rate during run time based on external data input. However, this feature does not function.

Work around

None.

Affected Silicon Revisions

Device Flash Memory (KB)	Device Silicon Revision				
	A0	A2			
64/128	X	X			
256/512	X	—			

15. Module: Bus Matrix

The Flash Memory Size register (BMXPFMSZ) was not programmed with the correct value.

Work around

Use a fixed number based on the size of the part being used.

Affected Silicon Revisions

Device Flash Memory (KB)	Device Silicon Revision				
	A0	A2			
64/128	Date code				
256/512	pre-1750				

16. Module: I/O Port

RD15 & RF13 should be considered 4x Sink Driver Pins and not 8x Sink Driver Pins. See Parameter DO10, DO20, and DO20A in the data sheet.

Work around

None.

Affected Silicon Revisions

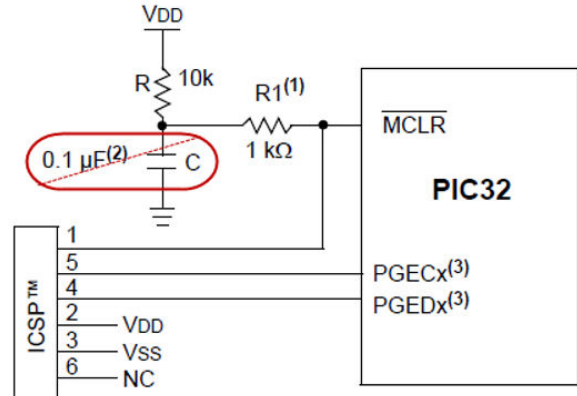
Device Flash Memory (KB)	Device Silicon Revision				
	A0	A2			
64/128	X	X			
256/512	X	—			

17. Module: I/O Port - Initial Pin State

On power-up depending on the VDD ramp rate, the I/O pins can be in an active random output driving state if MCLR is active until a BOR event.

Work around 1:

If, not using an external reset supervisor IC or equivalent, remove the MCLR capacitor as shown below, and retain the MCLR Pull-up resistor.



Work around 2:

If using an external reset supervisor IC or equivalent, increase the value of the VCAP capacitor to $\geq 47 \mu\text{f}$ ceramic or solid tantalum capacitor with an ESR $\leq 1 \text{ ohm}$.

Affected Silicon Revisions

Device Flash Memory (KB)	Device Silicon Revision				
	A0	A2			
64/128	X	X			
256/512	X	—			

18. Module: USB Low-Speed Mode

USB Low-Speed mode is not functional in both Device and Host modes due to signal integrity compliance issues.

Work around 1:

Use USB Full-Speed mode.

Affected Silicon Revisions

Device Flash Memory (KB)	Device Silicon Revision				
	A0	A2			
64/128	X	X			
256/512	X	—			

PIC32MX1XX/2XX/5XX 64/100-PIN

Data Sheet Clarifications

The following typographic corrections and clarifications are to be noted for the latest version of the device data sheet (DS60001290F):

Note: Corrections are shown in **bold**. Where possible, the original bold text formatting has been removed for clarity.

PIC32MX1XX/2XX/5XX 64/100-PIN

APPENDIX A: REVISION HISTORY

Rev A Document (10/2014)

Initial release of this document, issued for revision A0 silicon, which includes silicon issues 1 ([ADC](#)), 2 ([Clock](#)), 3 ([JTAG](#)), 4 ([Watchdog Timer](#)), 5 ([USB](#)), 6 ([UART](#)), 7 ([Comparator Voltage](#)), 8 ([Comparator Voltage Reference](#)), 9 ([CTMU](#)), 10 ([CTMU](#)) and 11 ([ADC](#)).

Rev B Document (7/2015)

Updated silicon issues 6 ([UART](#)) and 11 ([ADC](#)).

Added silicon issues 12 ([HVD](#)) and 13 ([Power-Saving Modes](#)).

Rev C Document (4/2016)

Revised document for silicon revisions A2.

Added silicon issue 14 ([UART](#)).

Modified Silicon DEVREV Value [Table 1](#) and added Silicon DEVREV Value [Table 2](#).

Updated the Silicon Issue Summary table ([Table 3](#)) and silicon issue 9 ([CTMU](#)).

Updated all Affected Silicon Revision tables.

Rev D Document (6/2018)

Added silicon issue 15 ([Bus Matrix](#)).

Rev E Document (8/2018)

Added Silicon Issue 16 ([16. Module:I/O Port](#)).

Revision F Document (08/2019)

Added Data Sheet Clarification .

Revision G Document (01/2020)

Added silicon issues [17. Module:I/O Port - Initial Pin State](#) and [18. Module:USB Low-Speed Mode](#).

Revision H Document (04/2020)

Clarified Silicon Issues [17. Module:I/O Port - Initial Pin State](#) and [18. Module:USB Low-Speed Mode](#) to denote the lack of a Revision A2 silicon for devices with 256/512 KB Device Flash Memory.

PIC32MX1XX/2XX/5XX 64/100-PIN

NOTES:

Note the following details of the code protection feature on Microchip devices:

- Microchip products meet the specification contained in their particular Microchip Data Sheet.
- Microchip believes that its family of products is one of the most secure families of its kind on the market today, when used in the intended manner and under normal conditions.
- There are dishonest and possibly illegal methods used to breach the code protection feature. All of these methods, to our knowledge, require using the Microchip products in a manner outside the operating specifications contained in Microchip's Data Sheets. Most likely, the person doing so is engaged in theft of intellectual property.
- Microchip is willing to work with the customer who is concerned about the integrity of their code.
- Neither Microchip nor any other semiconductor manufacturer can guarantee the security of their code. Code protection does not mean that we are guaranteeing the product as "unbreakable."

Code protection is constantly evolving. We at Microchip are committed to continuously improving the code protection features of our products. Attempts to break Microchip's code protection feature may be a violation of the Digital Millennium Copyright Act. If such acts allow unauthorized access to your software or other copyrighted work, you may have a right to sue for relief under that Act.

Information contained in this publication regarding device applications and the like is provided only for your convenience and may be superseded by updates. It is your responsibility to ensure that your application meets with your specifications. MICROCHIP MAKES NO REPRESENTATIONS OR WARRANTIES OF ANY KIND WHETHER EXPRESS OR IMPLIED, WRITTEN OR ORAL, STATUTORY OR OTHERWISE, RELATED TO THE INFORMATION, INCLUDING BUT NOT LIMITED TO ITS CONDITION, QUALITY, PERFORMANCE, MERCHANTABILITY OR FITNESS FOR PURPOSE. Microchip disclaims all liability arising from this information and its use. Use of Microchip devices in life support and/or safety applications is entirely at the buyer's risk, and the buyer agrees to defend, indemnify and hold harmless Microchip from any and all damages, claims, suits, or expenses resulting from such use. No licenses are conveyed, implicitly or otherwise, under any Microchip intellectual property rights unless otherwise stated.

Trademarks

The Microchip name and logo, the Microchip logo, Adaptec, AnyRate, AVR, AVR logo, AVR Freaks, BesTime, BitCloud, chipKIT, chipKIT logo, CryptoMemory, CryptoRF, dsPIC, FlashFlex, flexPWR, HELDO, IGLOO, JukeBlox, KeeLoq, Kleer, LANCheck, LinkMD, maXStylus, maXTouch, MediaLB, megaAVR, Microsemi, Microsemi logo, MOST, MOST logo, MPLAB, OptoLyzer, PackeTime, PIC, picoPower, PICSTART, PIC32 logo, PolarFire, Prochip Designer, QTouch, SAM-BA, SenGenuity, SpyNIC, SST, SST Logo, SuperFlash, Symmetricom, SyncServer, Tachyon, TempTrackr, TimeSource, tinyAVR, UNI/O, Vectron, and XMEGA are registered trademarks of Microchip Technology Incorporated in the U.S.A. and other countries.

APT, ClockWorks, The Embedded Control Solutions Company, EtherSynch, FlashTec, Hyper Speed Control, HyperLight Load, IntelliMOS, Libero, motorBench, mTouch, Powermite 3, Precision Edge, ProASIC, ProASIC Plus, ProASIC Plus logo, Quiet-Wire, SmartFusion, SyncWorld, Temux, TimeCesium, TimeHub, TimePictra, TimeProvider, Vite, WinPath, and ZL are registered trademarks of Microchip Technology Incorporated in the U.S.A.

Adjacent Key Suppression, AKS, Analog-for-the-Digital Age, Any Capacitor, AnyIn, AnyOut, BlueSky, BodyCom, CodeGuard, CryptoAuthentication, CryptoAutomotive, CryptoCompanion, CryptoController, dsPICDEM, dsPICDEM.net, Dynamic Average Matching, DAM, ECAN, EtherGREEN, In-Circuit Serial Programming, ICSP, INICnet, Inter-Chip Connectivity, JitterBlocker, KleerNet, KleerNet logo, memBrain, Mindi, MiWi, MPASM, MPF, MPLAB Certified logo, MPLIB, MPLINK, MultiTRAK, NetDetach, Omniscient Code Generation, PICDEM, PICDEM.net, PICKit, PICtail, PowerSmart, PureSilicon, QMatrix, REAL ICE, Ripple Blocker, SAM-ICE, Serial Quad I/O, SMART-I.S., SQI, SuperSwitcher, SuperSwitcher II, Total Endurance, TSHARC, USBCheck, VariSense, ViewSpan, WiperLock, Wireless DNA, and ZENA are trademarks of Microchip Technology Incorporated in the U.S.A. and other countries.

SQTP is a service mark of Microchip Technology Incorporated in the U.S.A.

The Adaptec logo, Frequency on Demand, Silicon Storage Technology, and Symmcom are registered trademarks of Microchip Technology Inc. in other countries.

GestIC is a registered trademark of Microchip Technology Germany II GmbH & Co. KG, a subsidiary of Microchip Technology Inc., in other countries.

All other trademarks mentioned herein are property of their respective companies.

© 2014-2020, Microchip Technology Incorporated, All Rights Reserved.

ISBN: 978-1-5224-5945-3

For information regarding Microchip's Quality Management Systems, please visit www.microchip.com/quality.



MICROCHIP

Worldwide Sales and Service

AMERICAS

Corporate Office

2355 West Chandler Blvd.
Chandler, AZ 85224-6199

Tel: 480-792-7200

Fax: 480-792-7277

Technical Support:

<http://www.microchip.com/support>

Web Address:

www.microchip.com

Atlanta

Duluth, GA

Tel: 678-957-9614

Fax: 678-957-1455

Austin, TX

Tel: 512-257-3370

Boston

Westborough, MA

Tel: 774-760-0087

Fax: 774-760-0088

Chicago

Itasca, IL

Tel: 630-285-0071

Fax: 630-285-0075

Dallas

Addison, TX

Tel: 972-818-7423

Fax: 972-818-2924

Detroit

Novi, MI

Tel: 248-848-4000

Houston, TX

Tel: 281-894-5983

Indianapolis

Noblesville, IN

Tel: 317-773-8323

Fax: 317-773-5453

Tel: 317-536-2380

Los Angeles

Mission Viejo, CA

Tel: 949-462-9523

Fax: 949-462-9608

Tel: 951-273-7800

Raleigh, NC

Tel: 919-844-7510

New York, NY

Tel: 631-435-6000

San Jose, CA

Tel: 408-735-9110

Tel: 408-436-4270

Canada - Toronto

Tel: 905-695-1980

Fax: 905-695-2078

ASIA/PACIFIC

Australia - Sydney

Tel: 61-2-9868-6733

China - Beijing

Tel: 86-10-8569-7000

China - Chengdu

Tel: 86-28-8665-5511

China - Chongqing

Tel: 86-23-8980-9588

China - Dongguan

Tel: 86-769-8702-9880

China - Guangzhou

Tel: 86-20-8755-8029

China - Hangzhou

Tel: 86-571-8792-8115

China - Hong Kong SAR

Tel: 852-2943-5100

China - Nanjing

Tel: 86-25-8473-2460

China - Qingdao

Tel: 86-532-8502-7355

China - Shanghai

Tel: 86-21-3326-8000

China - Shenyang

Tel: 86-24-2334-2829

China - Shenzhen

Tel: 86-755-8864-2200

China - Suzhou

Tel: 86-186-6233-1526

China - Wuhan

Tel: 86-27-5980-5300

China - Xian

Tel: 86-29-8833-7252

China - Xiamen

Tel: 86-592-2388138

China - Zhuhai

Tel: 86-756-3210040

ASIA/PACIFIC

India - Bangalore

Tel: 91-80-3090-4444

India - New Delhi

Tel: 91-11-4160-8631

India - Pune

Tel: 91-20-4121-0141

Japan - Osaka

Tel: 81-6-6152-7160

Japan - Tokyo

Tel: 81-3-6880-3770

Korea - Daegu

Tel: 82-53-744-4301

Korea - Seoul

Tel: 82-2-554-7200

Malaysia - Kuala Lumpur

Tel: 60-3-7651-7906

Malaysia - Penang

Tel: 60-4-227-8870

Philippines - Manila

Tel: 63-2-634-9065

Singapore

Tel: 65-6334-8870

Taiwan - Hsin Chu

Tel: 886-3-577-8366

Taiwan - Kaohsiung

Tel: 886-7-213-7830

Taiwan - Taipei

Tel: 886-2-2508-8600

Thailand - Bangkok

Tel: 66-2-694-1351

Vietnam - Ho Chi Minh

Tel: 84-28-5448-2100

EUROPE

Austria - Wels

Tel: 43-7242-2244-39

Fax: 43-7242-2244-393

Denmark - Copenhagen

Tel: 45-4485-5910

Fax: 45-4485-2829

Finland - Espoo

Tel: 358-9-4520-820

France - Paris

Tel: 33-1-69-53-63-20

Fax: 33-1-69-30-90-79

Germany - Garching

Tel: 49-8931-9700

Germany - Haan

Tel: 49-2129-3766400

Germany - Heilbronn

Tel: 49-7131-72400

Germany - Karlsruhe

Tel: 49-721-625370

Germany - Munich

Tel: 49-89-627-144-0

Fax: 49-89-627-144-44

Germany - Rosenheim

Tel: 49-8031-354-560

Israel - Ra'anana

Tel: 972-9-744-7705

Italy - Milan

Tel: 39-0331-742611

Fax: 39-0331-466781

Italy - Padova

Tel: 39-049-7625286

Netherlands - Drunen

Tel: 31-416-690399

Fax: 31-416-690340

Norway - Trondheim

Tel: 47-7288-4388

Poland - Warsaw

Tel: 48-22-3325737

Romania - Bucharest

Tel: 40-21-407-87-50

Spain - Madrid

Tel: 34-91-708-08-90

Fax: 34-91-708-08-91

Sweden - Gothenberg

Tel: 46-31-704-60-40

Sweden - Stockholm

Tel: 46-8-5090-4654

UK - Wokingham

Tel: 44-118-921-5800

Fax: 44-118-921-5820