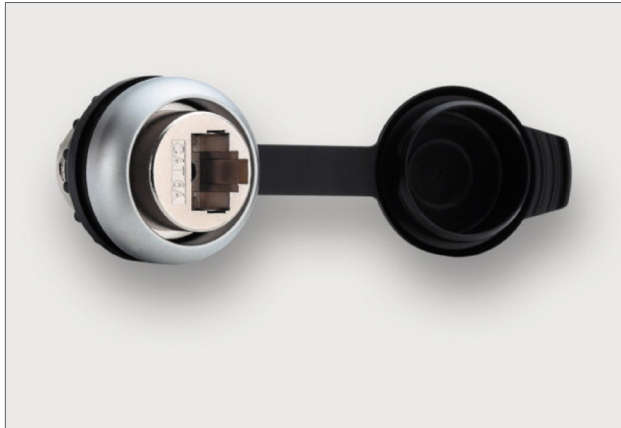


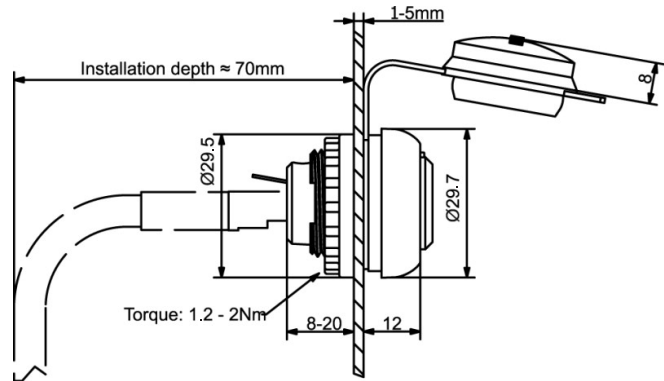
# TECHNICAL DATA SHEET

## Cat 6A Panel Connector

PN 8000-099/000-1764



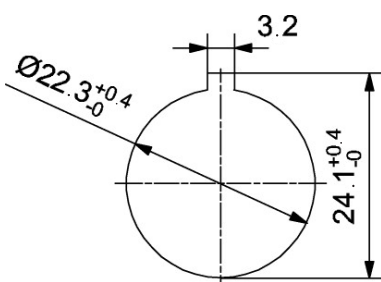
### DIMENSIONS (mm)



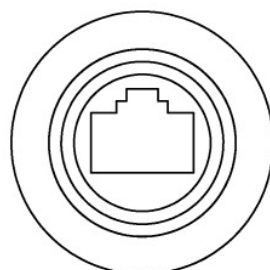
Part Number: 8000-099/000-1764

<b>Description</b>	RJ45 panel connector for front installation 22.5 mm Female/female 1:1		
<b>General</b>			<b>Technical Data</b>
<b>Form male 1</b>	RJ45	<b>Rated volatge <math>U_N</math></b>	24 VAC
<b>Degree of polution</b>	3	<b>Rated voltage max.</b>	50 V
<b>Insulation resistance</b>	> 100 MΩ	<b>Rated current</b>	1.5 A
<b>Contact resistance</b>	< 30 mΩ	<b>Pole number</b>	8
<b>Flammability according to UL 94</b>	V0	<b>Transfer rate</b>	10 Gbit/s
<b>Protection class</b>	cULus NEMA Type 2, 3R, 4, 4X, 12, 13: IEC IP65 with cap closed, IP20 when connected	<b>Category</b>	Cat 6 A
<b>Housing material</b>	PA, PBT,	<b>Contact type</b>	1:1
<b>Cover</b>	TPU	<b>Shielding</b>	Connected through
<b>Contact material</b>	CuSn, gold-plated	<b>Approvals</b>	cULus
<b>Mounting</b>	Front installation		
<b>Installation depth</b>	70 mm		
<b>Operating temperature range</b>	-20 °C ... +70 °C		
<b>Storage temperature range</b>	-20 °C ... +80 °C		
<b>Temperature range connector</b>	-20 °C ... +70 °C		
<b>Mechanical service life</b>	> 750 insertion cycles		
<b>Weight</b>	0.84 oz / piece		

### MOUNTING



front view:



### CIRCUIT DIAGRAM

