



Soft starter, 81 A, 200 - 480 V AC, $U_s = 24$ V AC/DC, Frame size FS3

Part no. DS7-340SX081N0-N
Catalog No. 134919
Alternate Catalog No. DS7-340SX081N0-N
EL-Nummer (Norway) 0004134204

Delivery program

Description			With internal bypass contacts
Function			Soft starters for three-phase loads
Mains supply voltage (50/60 Hz)	U_{LN}	V AC	200 - 480
Supply voltage	U_s		24 V AC/DC
Control voltage	U_C		24 V AC 24 V DC
Assigned motor rating (Standard connection, In-Line)			
at 400 V, 50 Hz	P	kW	45
at 460 V, 60 Hz	P	HP	60
Rated operational current			
AC-53	I_e	A	81
Rated operational voltage	U_e		200 V 230 V 400 V 480 V
Connection to SmartWire-DT			no
Frame size			FS3

Technical data

General

Standards			IEC/EN 60947-4-2 UL 508 CSA22.2-14
Approvals			CE
Approvals			UL CSA C-Tick UkrSEPRO
Climatic proofing			Damp heat, constant, to IEC 60068-2-3 Damp heat, cyclic, to IEC 60068-2-10
Ambient temperature			
Operation	θ	°C	-5 - +40 up to 60 at 2% derating per Kelvin temperature rise
Storage	θ	°C	-25 - +60
Altitude		m	0 - 1000 m, above that 1 % derating per 100 m , up to 2000 m
Mounting position			Vertical
Degree of protection			
Degree of Protection			IP20 (terminals IP00)
Integrated			Protection type IP40 can be achieved on all sides with covers from the NZM range.
Protection against direct contact			Finger- and back-of-hand proof
Overvoltage category/pollution degree			II/2
Shock resistance			8 g/11 ms
Vibration resistance to EN 60721-3-2			2M2
Radio interference level (IEC/EN 55011)			B
Static heat dissipation, non-current-dependent	P_{Vs}	W	18
Weight		kg	1.8

Main conducting paths

Rated operating voltage	U_e	V AC	200 - 480
Supply frequency	f_{LN}	Hz	50/60

Rated operational current	I_e	A	
AC-53	I_e	A	81
Assigned motor rating (Standard connection, In-Line)			
at 230 V, 50 Hz	P	kW	22
at 400 V, 50 Hz	P	kW	45
at 200 V, 60 Hz	P	HP	25
at 230 V, 60 Hz	P	HP	30
at 460 V, 60 Hz	P	HP	60
Overload cycle to IEC/EN 60947-4-2			
AC-53a			81 A: AC-53a: 3 - 5: 75 - 10
Internal bypass contacts			✓
Short-circuit rating			
Type „1“ coordination			NZMN1-M100
Type „2“ coordination (additional with the fuses for coordination type „1“)			3 x 170M4008
Fuse base (number x part no.)			
			3 x 170H3004

Terminal capacities

Cable lengths			
Solid		mm ²	1 x (25 - 70) 2 x (6 - 25)
Stranded		mm ²	1 x (25 - 70) 2 x (6 - 25)
Solid or stranded		AWG	1 x (12 - 2/0)
Copper band		MM	2 x 9 x 0.8 9 x 9 x 0.8
Tightening torque		Nm	6 ($\leq 10 \text{ mm}^2$); 9 ($> 10 \text{ mm}^2$)
Screwdriver (PZ: Pozidriv)		mm	PZ2; 1 x 6 mm
Control cables			
Solid		mm ²	1 x (0.5 - 2.5) 2 x (0.5 - 1.0)
Flexible with ferrule		mm ²	1 x (0.5 - 1.5) 2 x (0.5 - 0.75)
Stranded		mm ²	1 x (0.5 - 1.5) 2 x (0.5 - 1.0)
Solid or stranded		AWG	1 x (21 - 14) 2 x (21 - 18)
Tightening torque		Nm	0.4
Screwdriver		mm	0,6 x 3,5

Control circuit

Digital inputs			
Control voltage			
DC-operated		V DC	24 V DC +10 %/- 15 %
AC operated		V AC	24 V AC +10 %/- 15 %
Current consumption 24 V			
External 24 V		mA	1.6
Pick-up voltage			
DC-operated		x U_s	
DC-operated		V DC	17.3 - 27
AC operated		V AC	17.3 - 27
Drop-out voltage			
DC operated	x U_s		
DC operated		V DC	0 - 3
AC operated		V AC	0 - 3
Pick-up time			
DC operated		ms	250
AC operated		ms	250
Drop-out time			
DC operated		ms	350
Regulator supply			
Voltage	U_s	V	24 V AC/DC +10 %/- 15 %
Current consumption	I_e	mA	50

Current consumption at peak performance (close bypass) at 24 V DC	I _{Peak}	A/ms	0,6/50
Notes			External supply voltage
Relay outputs			
Number			2 (TOR, Ready)
Voltage range		V AC	250
AC-11 current range		A	1 A, AC-11

Soft start function

Ramp times			
Acceleration		s	1 - 30
Deceleration		s	0 - 30
Start voltage (= turn-off voltage)		%	30 100
Start pedestal		%	30 - 100
Fields of application			
Fields of application			Soft starting of three-phase asynchronous motors
1-phase motors			●
3-phase motors			✓

Functions

Fast switching (semiconductor contactor)			- (minimum ramp time 1s)
Soft start function			✓
Reversing starter			External solution required
Suppression of closing transients			✓
Suppression of DC components for motors			✓
Potential isolation between power and control sections			✓

Notes

Rated impulse withstand voltage:

- 1.2 μs/50 μs (rise time/fall time of the pulse to IEC/EN 60947-2 or -3)
- Applies for control circuit/power section/enclosure

Design verification as per IEC/EN 61439

Technical data for design verification			
Rated operational current for specified heat dissipation	I _n	A	81
Heat dissipation per pole, current-dependent	P _{vid}	W	0
Equipment heat dissipation, current-dependent	P _{vid}	W	18
Static heat dissipation, non-current-dependent	P _{vs}	W	18
Heat dissipation capacity	P _{diss}	W	0
Operating ambient temperature min.		°C	-5
Operating ambient temperature max.		°C	40
IEC/EN 61439 design verification			
10.2 Strength of materials and parts			
10.2.2 Corrosion resistance			Meets the product standard's requirements.
10.2.3.1 Verification of thermal stability of enclosures			Meets the product standard's requirements.
10.2.3.2 Verification of resistance of insulating materials to normal heat			Meets the product standard's requirements.
10.2.3.3 Verification of resistance of insulating materials to abnormal heat and fire due to internal electric effects			Meets the product standard's requirements.
10.2.4 Resistance to ultra-violet (UV) radiation			Meets the product standard's requirements.
10.2.5 Lifting			Does not apply, since the entire switchgear needs to be evaluated.
10.2.6 Mechanical impact			Does not apply, since the entire switchgear needs to be evaluated.
10.2.7 Inscriptions			Meets the product standard's requirements.
10.3 Degree of protection of ASSEMBLIES			Does not apply, since the entire switchgear needs to be evaluated.
10.4 Clearances and creepage distances			Meets the product standard's requirements.
10.5 Protection against electric shock			Does not apply, since the entire switchgear needs to be evaluated.
10.6 Incorporation of switching devices and components			Does not apply, since the entire switchgear needs to be evaluated.
10.7 Internal electrical circuits and connections			Is the panel builder's responsibility.
10.8 Connections for external conductors			Is the panel builder's responsibility.
10.9 Insulation properties			
10.9.2 Power-frequency electric strength			Is the panel builder's responsibility.

10.9.3 Impulse withstand voltage		Is the panel builder's responsibility.
10.9.4 Testing of enclosures made of insulating material		Is the panel builder's responsibility.
10.10 Temperature rise		The panel builder is responsible for the temperature rise calculation. Eaton will provide heat dissipation data for the devices.
10.11 Short-circuit rating		Is the panel builder's responsibility. The specifications for the switchgear must be observed.
10.12 Electromagnetic compatibility		Is the panel builder's responsibility. The specifications for the switchgear must be observed.
10.13 Mechanical function		The device meets the requirements, provided the information in the instruction leaflet (IL) is observed.

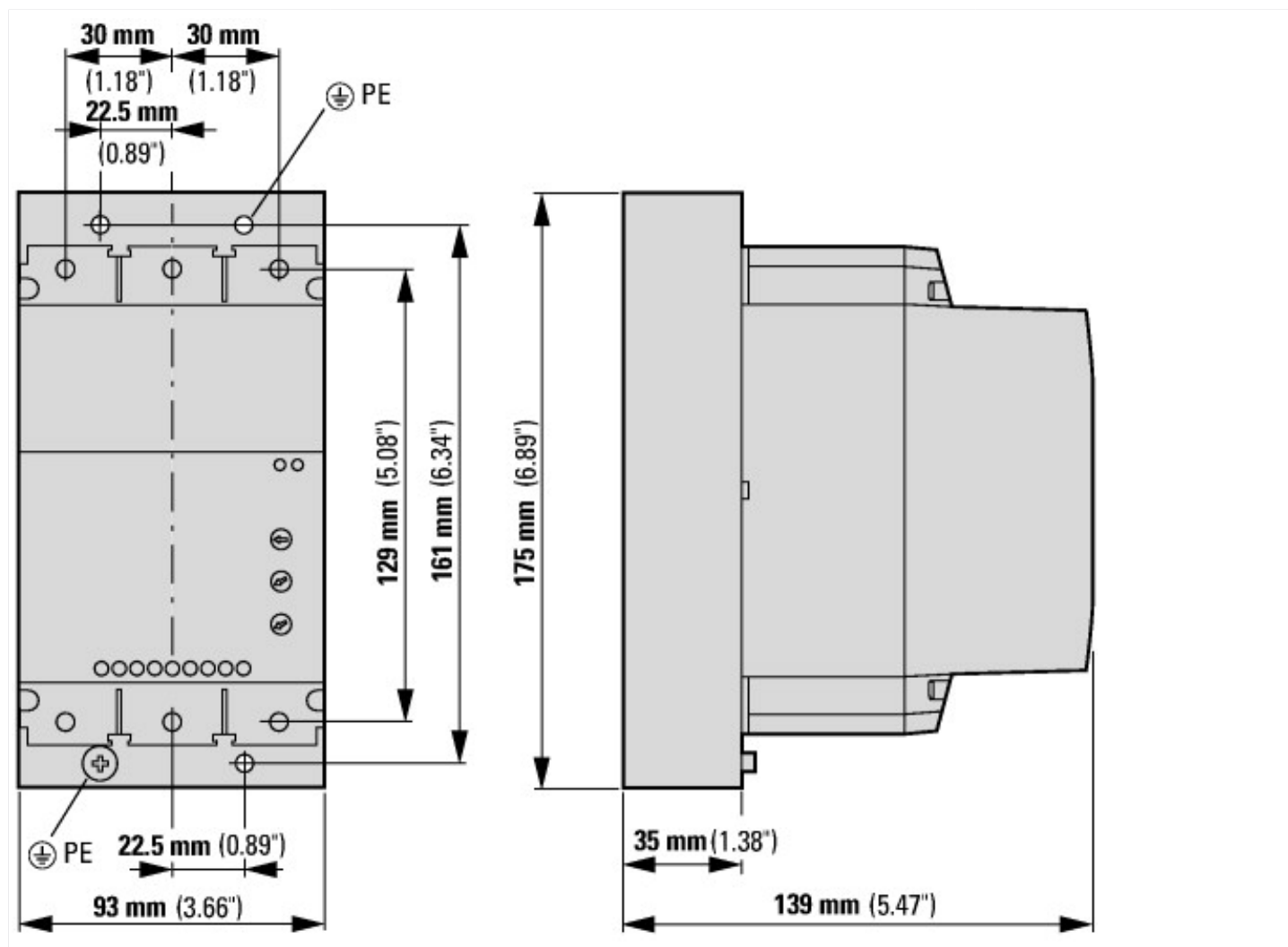
Technical data ETIM 7.0

Low-voltage industrial components (EG000017) / Soft starter (EC000640)		
Electric engineering, automation, process control engineering / Low-voltage switch technology / Load breakout, motor breakout / Semiconductor motor controller or soft starter (ec@ss10.0.1-27-37-09-07 [ACO300011])		
Rated operation current I _e at 40 °C T _u	A	81
Rated operating voltage U _e	V	230 - 460
Rated power three-phase motor, inline, at 230 V	kW	22
Rated power three-phase motor, inline, at 400 V	kW	45
Rated power three-phase motor, inside delta, at 230 V	kW	0
Rated power three-phase motor, inside delta, at 400 V	kW	0
Function		Single direction
Internal bypass		Yes
With display		No
Torque control		No
Rated surrounding temperature without derating	°C	40
Rated control supply voltage U _s at AC 50HZ	V	24 - 24
Rated control supply voltage U _s at AC 60HZ	V	24 - 24
Rated control supply voltage U _s at DC	V	24 - 24
Voltage type for actuating		AC/DC
Integrated motor overload protection		No
Release class		Other
Degree of protection (IP)		IP20
Degree of protection (NEMA)		1

Approvals

Product Standards		IEC/EN 60947-4-2; GB 14048.6; UL 508; CSA-C22.2 No 0-M91; CSA-C22.2 No 14-05 CE marking
UL File No.		E251034
CSA File No.		2511305
CSA Class No.		321106
Specially designed for North America		No
Suitable for		Branch circuits
Current Limiting Circuit-Breaker		No
Max. Voltage Rating		480 V
Degree of Protection		IP20; UL/CSA Type 1

Dimensions



Additional product information (links)

IL03902005Z Instructions for DS7 Soft Starter

IL03902005Z Instructions for DS7 Soft Starter ftp://ftp.moeller.net/DOCUMENTATION/AWA_INSTRUCTIONS/IL03902005Z2019_10.pdf

MN03901001Z Manual DS7 soft starters

MN03901001Z Handbuch DS7 Sanftstarter - Deutsch ftp://ftp.moeller.net/DOCUMENTATION/AWB_MANUALS/MN03901001Z_DE.pdf

MN03901001Z Manual DS7 soft starters - English ftp://ftp.moeller.net/DOCUMENTATION/AWB_MANUALS/MN03901001Z_EN.pdf

MN03901001Z Manuale Softstarter DS7 - italiano ftp://ftp.moeller.net/DOCUMENTATION/AWB_MANUALS/MN03901001Z_IT.pdf

CA04020001Z_EN-INT Product range catalog: Efficient Engineering for starting and controlling motors. http://www.eaton.eu/ecm/groups/public/@pub/@europe/@electrical/documents/content/pct_1095238.pdf