

TELEPHONIC SUPPLIES (U.K.)

UNIT 4 WIMBLEDON STADIUM BUSINESS CENTRE
RIVERSIDE ROAD LONDON SW17 0BA, UNITED KINGDOM
TEL LONDON (01) 946 6688 FAX LONDON (01) 879 7410

PAGE

U.S. MODULAR CONNECTION RANGE DATA & SPECIFICATION SHEET

Although this sheet is written in good faith, We cannot accept any responsibility for differences in products which are liable to change without notice.

ACCESSORIES

PHYSICAL CHARACTERISTICS

HOUSING MATERIAL : ABS/POLYCARBONATE
LEAD WIRE WIRE SIZE : 26AWG, 7 STRAND
INSULATION : PVC
GOLD WIRE MATERIAL : PHOSPHOROUS BRONZE ALLOY
PLATING : HARD GOLD OVER NICKEL
SCREW STEEL OR BRASS
PLATING : NICKEL OR ZINC

106-322
106-326.

PERFORMANCE

INSULATION RESISTANCE : 10 MEGADHMS
DIELECTRIC STRENGTH : 1000VAC, RMS, 60HZ.
CONTACT RESISTANCE : MAX 20 MILLIOHMS
CURRENT RATING : 11/2AMPS

MECHANICAL

RETENTION FORCE : 17 LBS / 7 KG MIN
CRIMPING STRENGTH : 5 LBS / 2,27 KG MIN

PLUGS

HOUSING MATERIAL : ABS/POLYCARBONATE
CONTACT MATERIAL : PHOSPHOR BRONZE
PLATING : 15 MICRO INCH APPROX HARD GOLD OVER NICKEL
COLOUR : CLEAR
INSULATION RESISTANCE : GREATER THAN 500 MEGOHMS
DIELECTRIC STRENGTH : 500V A.C. RMS, @ 60 HZ
CONTACT RESISTANCE : APPROX 15 MILLIOHMS
CURRENT RATING : 1,5 AMP
RETENTION FORCE : 7,727 KG,
CRIMPING STRENGTH : 2,0 KG,

CORDAGE AND LEADS/CORDS

PHYSICAL CHARACTERISTICS

CONDUCTOR : 26 AWG 7 STRAND COPPER
INSULATION : PVC
JACKET : PVC

PERFORMANCE

CONDUCTOR RESISTANCE > 20 MILLIOHMS PER METER
INSULATION RESISTANCE > 100 M OHM
DIELECTRIC STRENGTH > 500 VAC

MECHANICAL

PLUG PULL FORCE : 18 LBS MIN
TERMINAL CRIMPING STRENGTH : 4.4 LBS MIN

U.S. MODULAR PLUGS

Specifications

UL 1863 No.E 137614 (DUXR2)
 Complies with F C C part
 68 subpart F standards
 UL 498 No E 129580 (RTRT2)
 CSA Approved No LR 90513

Gold Plate Inspection:

Per MIL-G-45204C
 Type II (99% pure gold minimum)
 Grade C+ (Knoop hardness range 130-250)
 Class 1 (50 microns minimum thickness)

Gold Plate Density:

17 grams/cubic centimeter minimum

Plating Porosity:

Test per EIA-364-53 Nitric acid vapor test

The Gold-Plated Testing Instruments:

Fischer • Scope X-RAY 1000

Electrical Test:

- 250V AC max. at 2 amps.
- Dielectric withstanding 500 volts AC
- Insulation resistance: 500 megaohms.
- Termination resistance. 35 max after environmental test.

Mechanical:

- Cable-to-plug tensile strength—20LBs (89N) min
- Durability 200 mating cycles

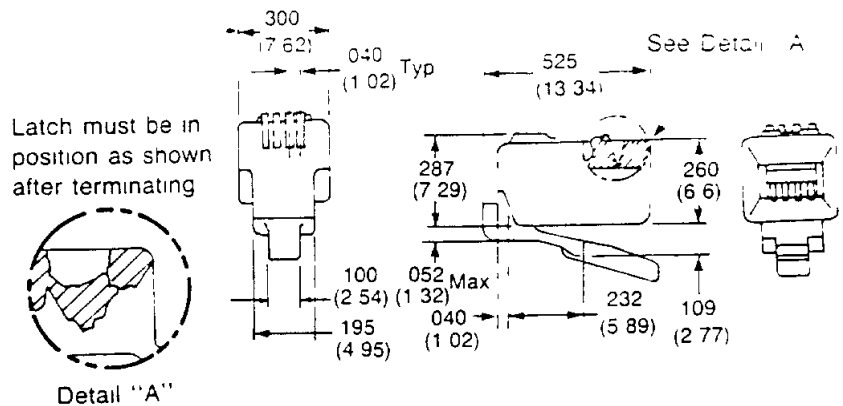
Material & Finish:

- Housing Material: Polycarbonate (PC)
 94V-0 (For UL 1863 DUXR2)
 94V-2 (For UL 498 RTRT2)
 UL No. E 919153
- Contact Blade:
 - High strength copper alloy [JIS CR191R-H (PBS-2)]
 - Electro-plation is based on 100 micro inches nickel underplated
- Contact Material: 8% Phosphor Bronze

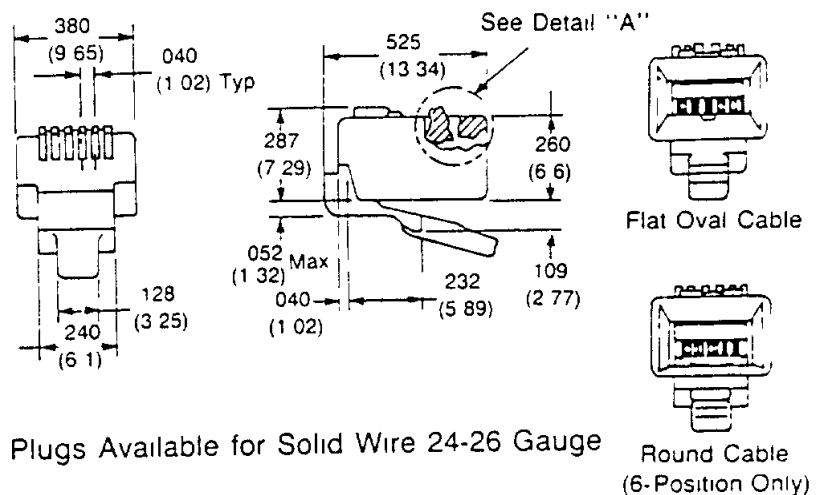
Operating Temperature:

-40°C to +125°C

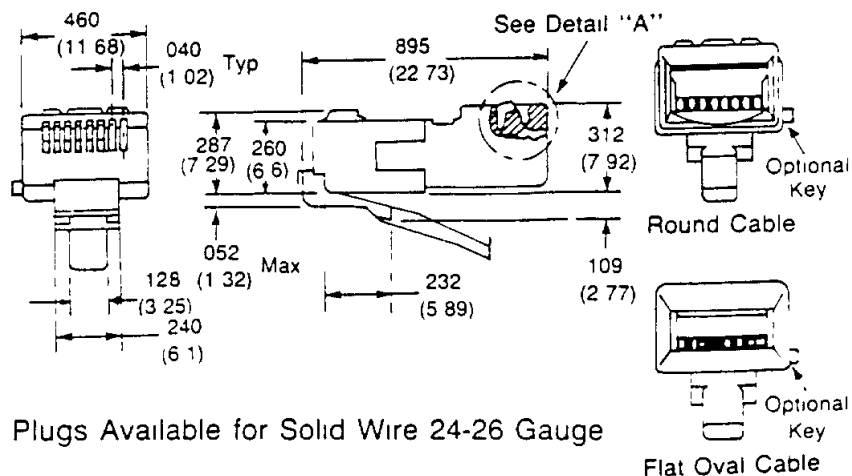
4-Position Handset Plug Assembly



2, 4, 6-Position Plug Assemblies (RJ-11 6P4C, RJ-12 6P6C)



8, Position Plug Assemblies (RJ-45 8P8C)



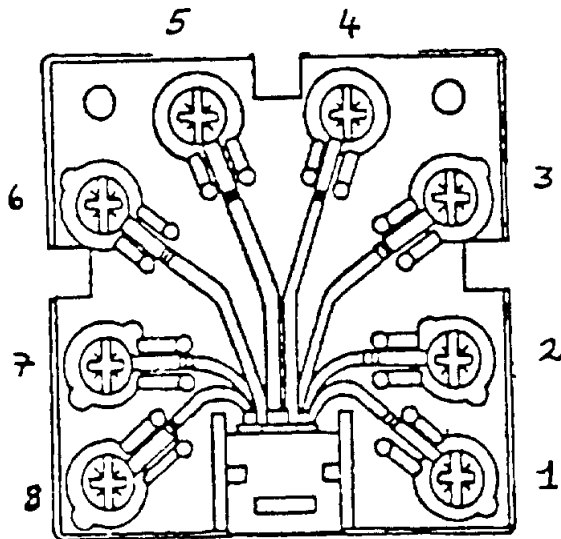
TELEPHONIC UK

Unit 4, Wimbledon Stadium Business Centre
 Riverside Road, London SW17 0BA. United Kingdom.

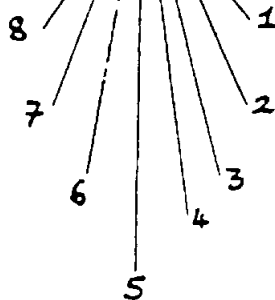
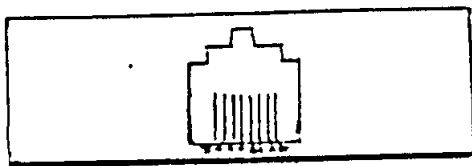


TELEPHONIC SUPPLIES

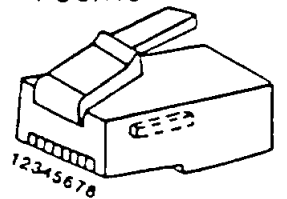
MODULAR DIAGRAMS & SPECIFICATIONS: MARCH 1990



	4 WAY	6 WAY	8 WAY
1			BLUE
2		WHITE	ORANGE
3	BLACK	BLACK	BLACK
4	RED	RED	RED
5	GREEN	GREEN	GREEN
6	YELLOW	YELLOW	YELLOW
7		BLUE	BROWN
8			GREY



8-POSITION PLUG



Positions