



LIN Cable For AppBox System User's Guide



Notice !

Spectrum Digital, Inc (SDI) provides the enclosed product under the following conditions:

The user/customer assumes ALL responsibility and liability for the proper use, storage, and safe handling of the product. Further, the user indemnifies SDI from all claims arising from the use, installation, storage, and handling of the product. Due to the flexibility and open construction of the product, it is the user's responsibility to take all appropriate precautions with regard to powering, attachment of cables, connection to other equipment, and electrostatic discharge.

Except to the extent of the indemnity set forth above, neither party shall be liable to the other for any indirect, special, incidental, or consequential damages.

SDI assumes no liability for applications assistance, customer product design, system and software performance, or infringements of patents or services described herein.

No license is granted under any patent right or other intellectual property right of SDI covering or relating to any machines, process, software, or combination in which such SDI products or services might be or are used.

SDI currently deals with a variety of customers for products, and therefore our arrangement with the reseller, customer, or user **is not exclusive**.

Please refer to the product web page on the SDI web site for warranty period.

The warranty and return policy are described on the SDI web site.

Mailing address:

Spectrum Digital, Inc
PO Box 1559
Sugar Land, TX. 77487-1559

Web site: www.spectrumdigital.com
Sales: sales@spectrumdigital.com
Support: support@spectrumdigital.com

Copyright Spectrum Digital Inc, © 2020

519223-0001

Table of Contents

Section	Title	Page
1.0	Introduction	4
1.1	LIN Cable Features	4
1.2	LIN Cable Product Contents	5
1.3	LIN Cable Compatibility	5
1.4	LIN Cable AppBox / Distribution Box Connector	5
1.5	LIN Cable LIN Device Connector	6
1.6	LIN Cable Schematics	6

1.0 Introduction

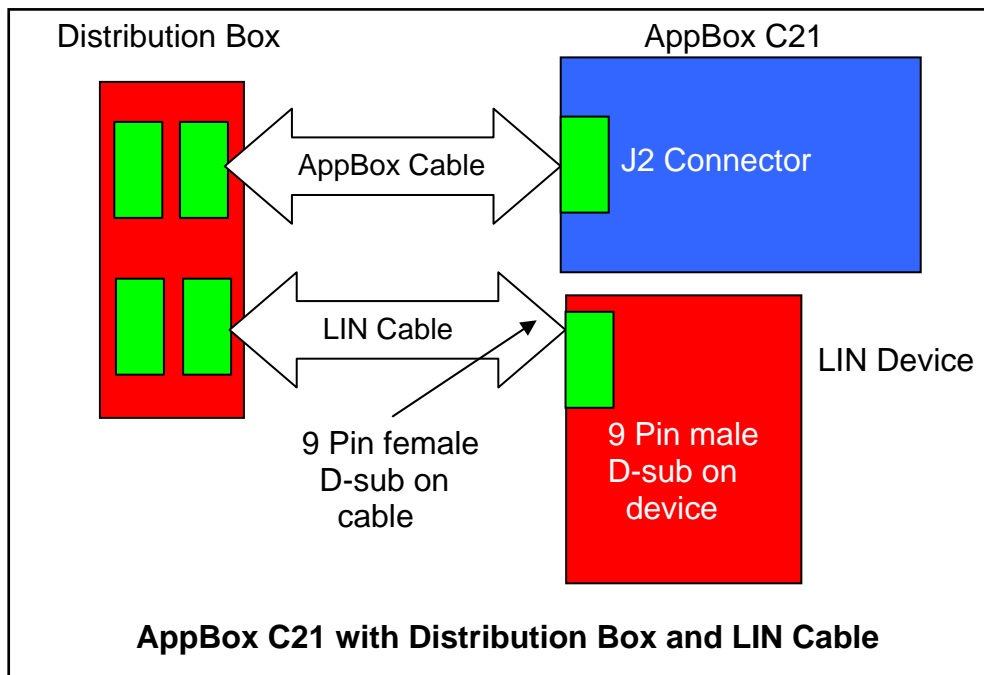
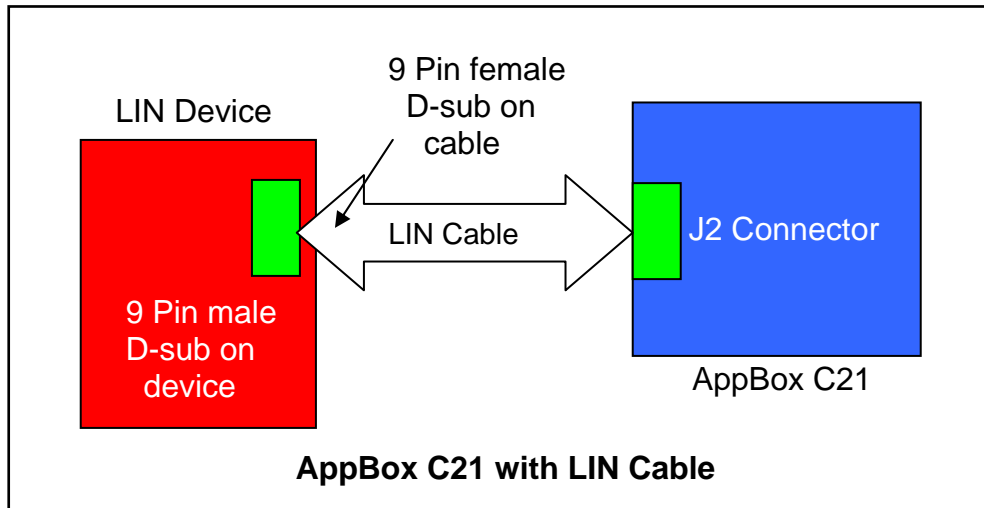
This document describes the LIN (Part/SKU #: 703922-0001) cable used with the AppBox. This cable brings the LIN signals off the AppBox C21 J2 connector or J2 image connector on the Distribution Box to a device that has a LIN interface.

1.1 LIN Cable Features

This LIN cable has the following features:

- Mates with AppBox J2 connector or Distribution Box
- Mates with LIN device
- Length: 3 foot (36 in / 91 cm)

The two diagrams below show the use of the LIN cable.



1.2 LIN Cable Product Contents

The following items are contained in the LIN cable product (Part/SKU #: 703922-0001):

- LIN cable in bag
- Product information card

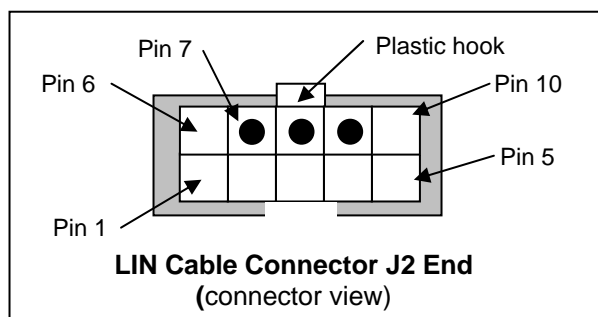
1.3 LIN Cable Compatibility

The LIN Cable is designed to work with the following products which can be ordered from Spectrum Digital or authorized resellers:

Accessory Description	Part/SKU Number
AppBox C21	703909-0001
Distribution Box	703924-0001

1.4 LIN Cable AppBox / Distribution Box Connector

The LIN cable end which plugs into the AppBox J2 connector or Distribution Box is a molded 10 pin (2 rows x 5 pin) connector. A view of this connector is shown below.

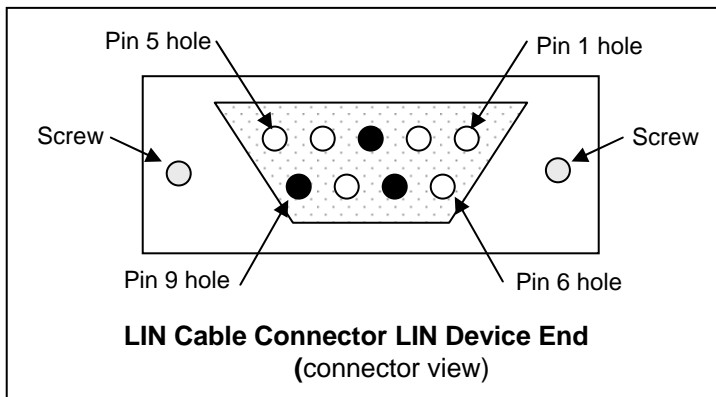


The following table shows the signals present on the LIN cable at the AppBox J2 connector end

LIN Cable J2 Connector End	
Pin number	Signal name
1	No Connect
2	No Connect
3	No connect
4	No connect
5	No connect
6	No Connect
7	DGND
8	LIN_PWR
9	LIN
10	No connect

1.5 LIN Cable LIN Device Connector

The LIN cable end which plugs into a LIN device is a female 9 pin D-sub connector. A view of this connector is shown below.



The following table shows the signals present on the LIN cable at the LIN Device end.

LIN Cable Device End	
Pin number	Signal name
1	No Connect
2	No Connect
3	DGND
4	No connect
5	No connect
6	No Connect
7	LIN
8	No Connect
9	LIN_PWR

1.6 LIN Cable Schematics

The following pages contain the schematics for the LIN cable.

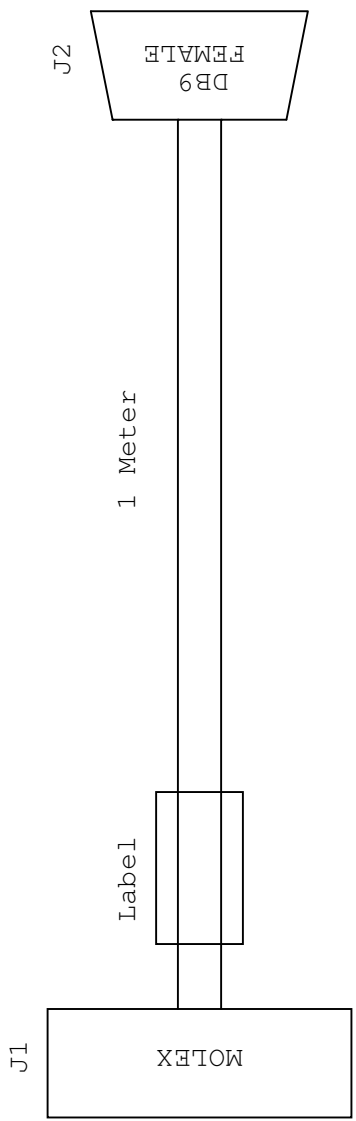
MOLEX TOOLING	
SERVICE CRIMP TOOL	063811-1000
HAND CRIMP TOOL	0638190901
EXTRACTION TOOL	0011030044
APPLICATOR	63902-3900

TE TOOLING	
CRIMP TOOL	58448-2
EXTRACTION TOOL	91285-1
APPLICATOR	2151496-1

Molex Strip Length	
Jacket	29.21 mm
Conductor	3.00 mm

LABEL CONTENTS	
Spectrum Digital	
LIN Cable	
Part #	519220 A

TE Strip Length	
Conductor	2.14 - 2.64 mm



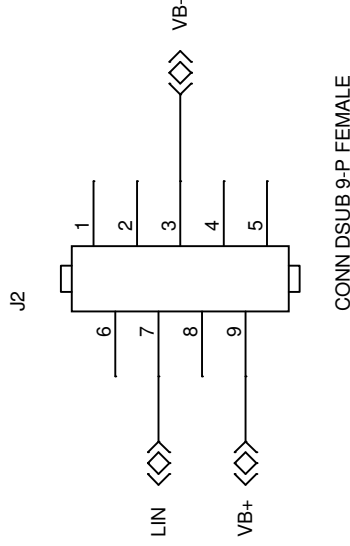
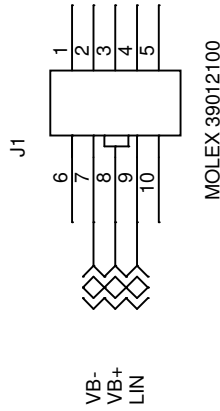
SPECTRUM DIGITAL INCORPORATED			
Title:	LIN CABLE		
Page Contents:	TITLE		
Size:A	DWG NO	519220	Revision: A
Date:	Wednesday, December 11, 2019		Sheet 1 of 2

BELDEN 9534

WIRE	COLOR
1	BLACK
2	WHITE
3	RED
4	GREEN

WIRE TABLE

J1	J2	COLOR	SIGNAL
9	7	WHITE	LIN
8	9	RED	VB+
7	3	BLACK	VB-



SPECTRUM DIGITAL INCORPORATED

Title: LIN CABLE

Page Contents: LOGIC

Size: A DWG NO 519220 Revision: A

Date: Wednesday, December 11, 2019

Sheet 2 of 2

Spectrum Digital, Inc
PO Box 1559
Sugar Land, TX. 77487-1559

Web site: www.spectrumdigital.com
Sales: sales@spectrumdigital.com
Support: support@spectrumdigital.com

Copyright Spectrum Digital Inc, © 2020

519223-0001