

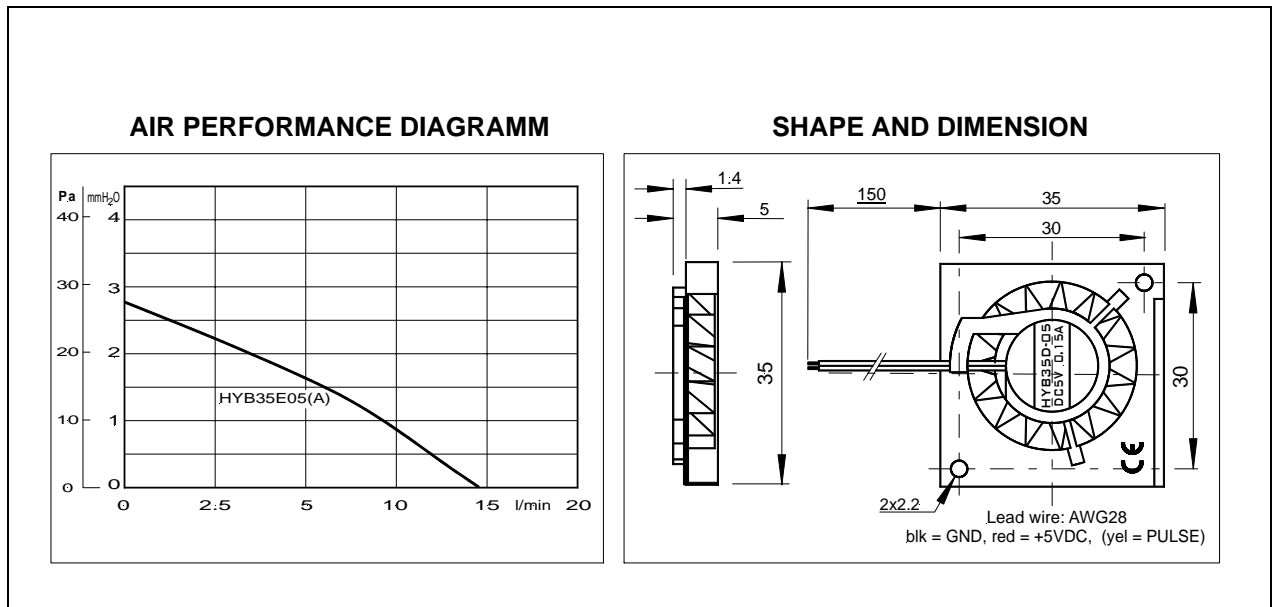
SEPA[®] BRUSHLESS FAN

HYB35D05 HYB35D05A



HIGH RELIABILITY FAN

AUTOMOTIVE FAN



PERFORMANCE

CE	HYB35D05	HYB35D05A
Operating Voltage [V]	4.5 ... 5.0 ... 5.5	
Operating Current [mA]	140	
Max. Start Current [mA]	220	
Max. Air Flow [l/min - m ³ /h]	15 - 0.9	
Max. Air Pressure [mmH ₂ O - Pa]	2.8 - 27.4	
Noise @ 1m (typ.) [dB(A)]	27	
Operating Temperature [°C]	-10/+70(80)	
Rotor Speed [RPM]	6300	
Life Expectancy [L ₁₀ /MTBF; h]	95000/280000	
Bearing System	ball bearing ZZ	
Weight [g]	5	
Speed Sensor Output	-	3 pulses / rev.
Packing Quantity [PCs]	25-500	

This **SEPA**[®] turbo fan is suitable for industrial use and has a remarkable air flow performance despite its extremely small dimensions. Due to the linear air performance characteristic, the fan is applicable for different uses. Air intake could be on top or bottom, the outlet is on one side. It is permanently protected electrically against reverse polarity, blocking and thermal overloading. Due to the low rotor weight and precision balancing, it is virtually vibration-free. It is also insensitive to shock.

Further features of this fan are its extremely robust and torsionally rigid housing made from aluminium alloy, ball bearings with narrow tolerances, of special steel, polyester-based PCB (UL E44247) and absolute reliability due to 100% burn-in.

ALARM OUTPUT

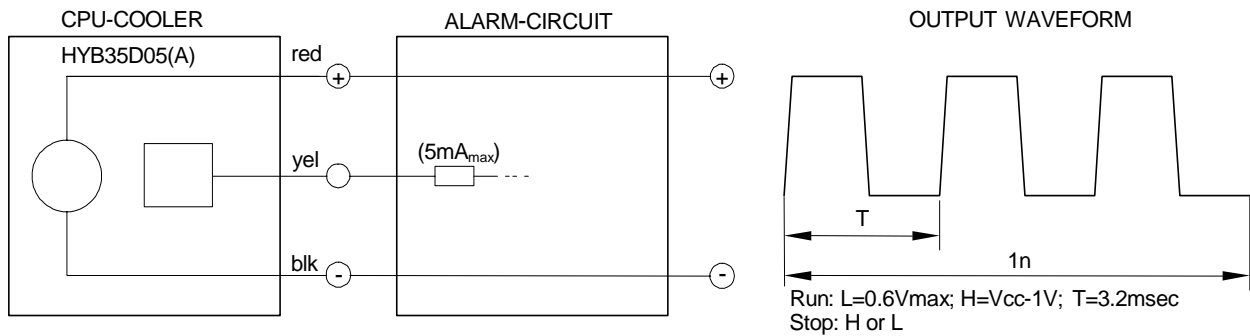
The **SEPA**® HYB35D05A includes a speed impulse output, which enables monitoring the correct function of the fan. An alarm-board is available on request.

The pulse is like a rectangular wave, the frequency correlates to 3 x rotor speed. At blocked rotor the output signal could be L ($\leq 0.6V$) or H ($V_{cc} - 1V$).

IMPORTANT: The pulse output is *not* protected against short circuit and must not connect to GND or V_{cc} without series-resistor. A pull-up-resistor is not needed.

Do not connect not used pulse output to GND or V_{cc} (insolate).

The HYB35D05(A) has tinned lead wire ends (without connector).



IMPORTANT: Only hold the fan at the outer edge and do not touch the impeller!

• Accessories:

ALG01 **SEPA** ALARM, monitor-circuit, generates an acoustic signal in case of missing pulses.
CONNECTOR on request

• Order Information:

HYB35D05	SEPA turbo fan 5VDC, ball bearing, CE	213541000
HYB35D05A	SEPA turbo fan 5VDC, ball bearing, pulse, CE	213541010

SEPA® is the brand name for fans and CPU-Cooler, made by Nippon Keiki Works LTD., Tokyo