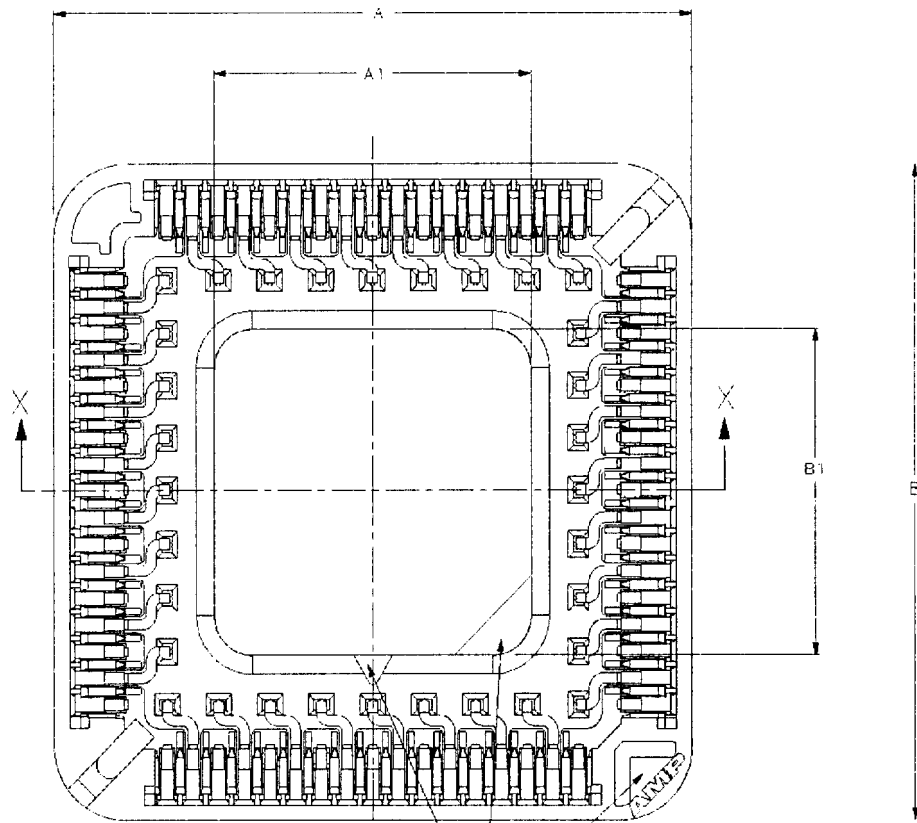
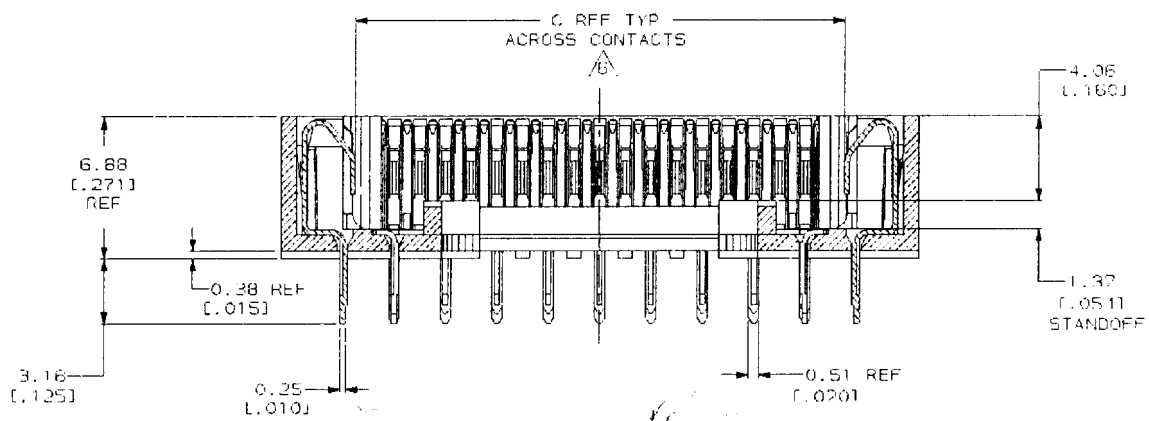


8 7 6 5 4

THIS DRAWING IS UNCLASSIFIED
DATE 08/14/01 BY SP4 JAW/STW/STW ALL RIGHTS RESERVED



PIN #1 IDENTIFIERS



SECTION X-X

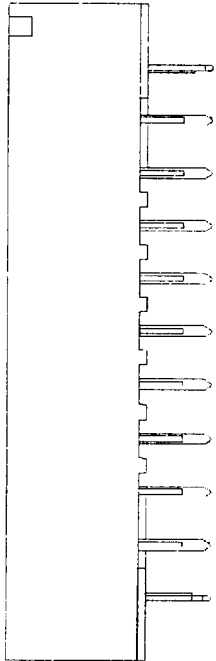
3

2

1

REV	DATE	DESCRIPTION	DATE	CHK	APP
AA	20				
R		REV: EC 0502-0477-97	15 JUL 97	GG	DI

- ① HOUSING MATERIAL: HIGH TEMPERATURE BROWN GLASS FILLED PCT, 94V 0.
- ② CONTACT MATERIAL: PHOSPHOR BRONZE.
- ③ CONTACT FINISH: PRL TIN COATED, 0.00254L(000100) MINIMUM THICKNESS.
- 4. PLASTIC LEADED CHIP CARRIER MUST CONFORM TO JEDEC SPECS MS-016 & MS-018
- ⑤ PACKAGED IN TUBS.
- ⑥ FOR PN 822437-2, THIS DIMENSION IS 13.94 (1.549) IN SAME DIRECTION AS DIMENSION B.



D

C

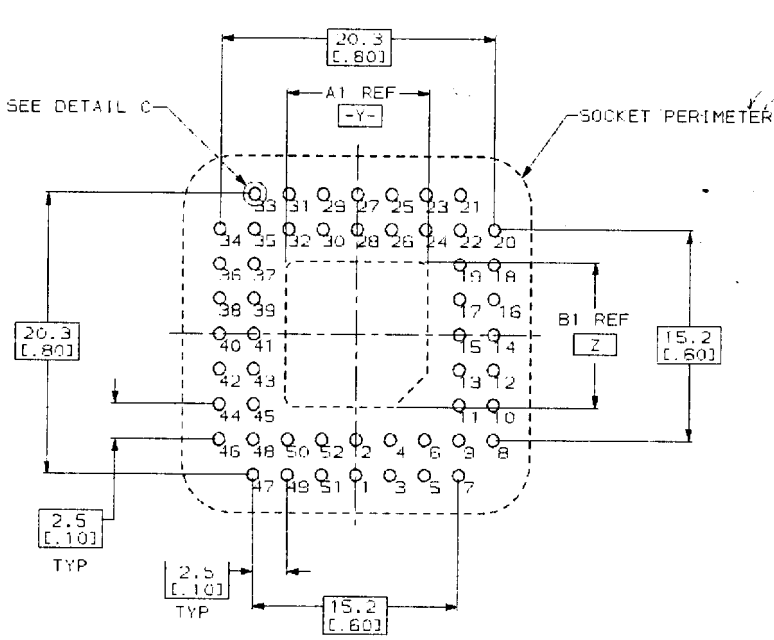
B

A

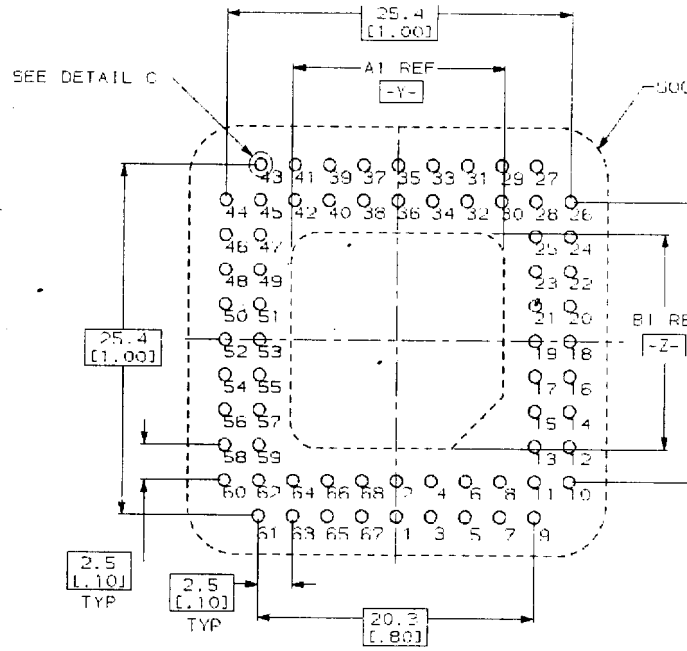
16.40 [1.649]	8.03 [1.316]	23.88 [1.940]	8.03 [1.316]	23.88 [1.940]	44	⑤ 822437-3
29.18 [1.149]	20.73 [1.816]	36.58 [1.440]	20.73 [1.816]	36.58 [1.440]	84	822437-6
24.10 [1.949]	15.65 [1.616]	31.50 [1.240]	15.65 [1.616]	31.50 [1.240]	68	822437-5
19.02 [1.749]	10.57 [1.416]	26.42 [1.040]	10.57 [1.416]	26.42 [1.040]	52	822437-4
16.48 [1.649]	8.03 [1.316]	23.88 [1.940]	8.03 [1.316]	23.88 [1.940]	44	822437-3
11.40 [1.449]	5.49 [1.216]	21.34 [1.810]	2.95 [1.116]	18.80 [1.740]	32	822437-2
11.40 [1.449]	3.81 [1.150]	18.80 [1.740]	3.81 [1.150]	18.80 [1.740]	28	822437-1
C	B1	B	A1	A	NO OF POSN	PART NUMBER

<small>TO ORDER THIS PRODUCT PLEASE SEE INSTRUCTIONS TO BE ORDERED BY CARRIER FOR THE SHIPPING PROVISIONS AND WEIGHT OF BOXES IS LISTED ON THE LAST PAGE</small>		DATE: 3-8-96 BY: A. POLY DATE: 3-8-96 BY: J. TALLEY DATE: 3-8-96 BY: K. FREIDLER	AMP Incorporated Harrisburg, PA 17105-3508
DIMENSIONS: mm (INCHES)	TOLERANCES UNLESS OTHERWISE SPECIFIED: DIMENSIONS: ±.15 HOLE: ±.05 HOLE: ±.05 HOLE: ±.05 HOLE: ±.05 HOLE: ±.05	PRODUCT SPEC: APPLICATION SPEC: WEIGHT:	SOCKET, PLCC SOLDER TAIL SIZE: A1 QTY: 00779 SCALE: 5:1
MATERIAL:	FINISH:	CUSTOMER DRAWING:	PART NUMBER: 822437 SHEET: 12 REV: B

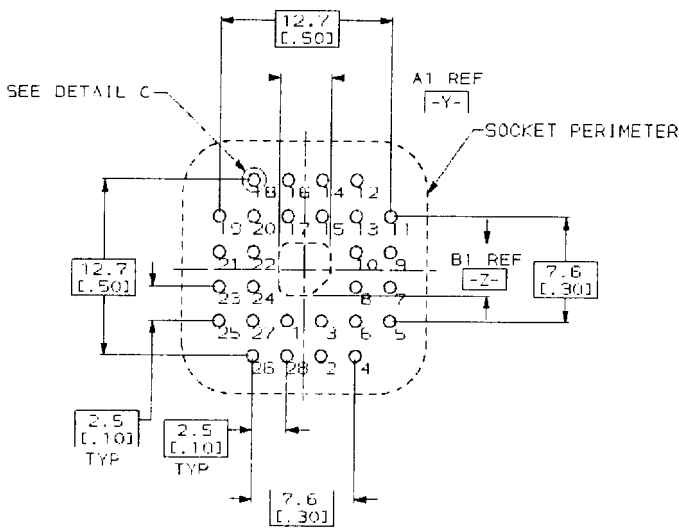
THIS DRAWING IS UNPUBLISHED
 RELEASED FOR TUE/02/11/99
 BY AMP INCORPORATED. ALL RIGHTS RESERVED



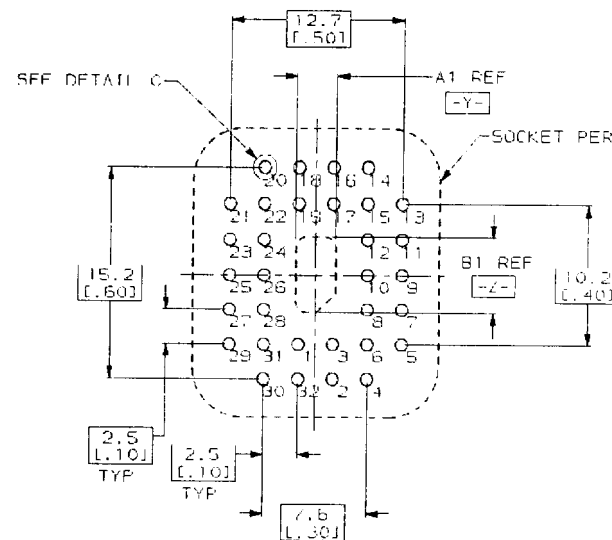
822437 4
52 POSITION



822437 5
68 POSITION

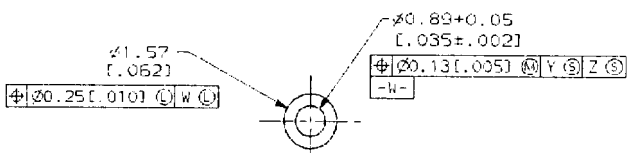


822437-1
28 POSITION

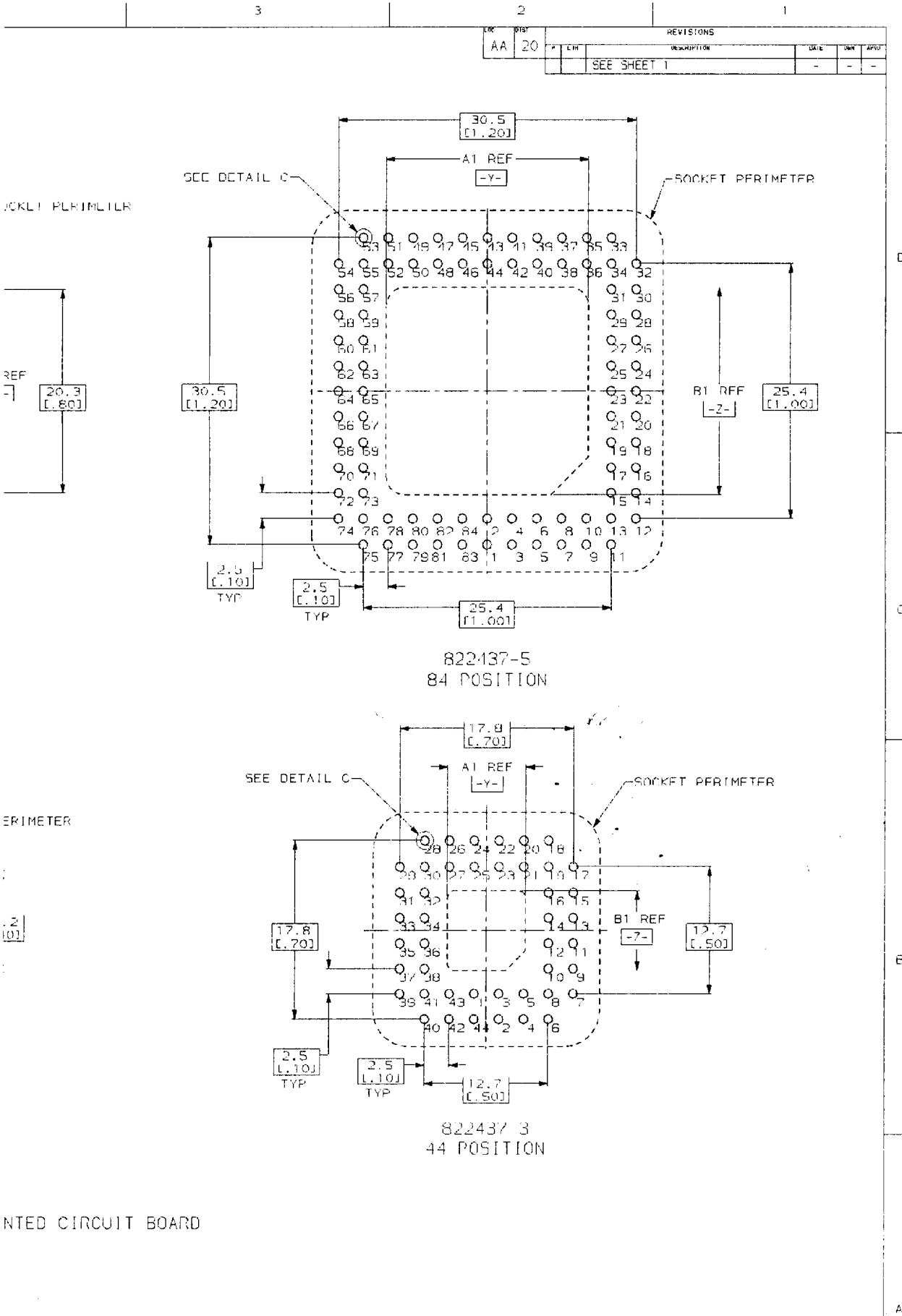


822437-2
32 POSITION

FOOTPRINTS ARE SHOWN AS VIEWED FROM SOCKET SIDE OF PRINT
SCALE 4:1



DETAIL C
ANNULAR RING
TYP
SCALE 10:1



822437-5
84 POSITION

822437-3
44 POSITION

<small>NOT SPECIFIC DIMENSIONS INDICATED BY DIMENSIONAL LINE OR SYMBOL TO APPLY TO ALL DIMENSIONS UNLESS OTHERWISE SPECIFIED.</small>		DATE: 3-8-98 DRAWN: A. HOLT CHECKED: R. TALLEY APPROVED: K. YBELLER PROJECT: 3-B-98-0001	AMP AMP Incorporated Harrisburg, PA 17105-3608
DIMENSIONS: mm (inches)	TOLERANCES UNLESS OTHERWISE SPECIFIED: DIM. 0.25 (0.010) DIM. 0.50 (0.020) DIM. 1.27 (0.050)	APPLICATION SPEC. WEIGHT MATERIAL: SEE SHEET 1 FINISH: SEE SHEET 1	SOCKET, PLCC SOLDERTAIL SIZE: A1 QTY CODE: 00779 DRAWING NO: 822437 SCALE: 6:1 SHEET: 2 of 2 REV: R