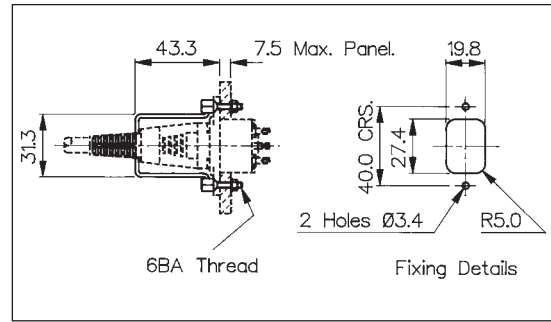


Accessories

RETAINING CLIP



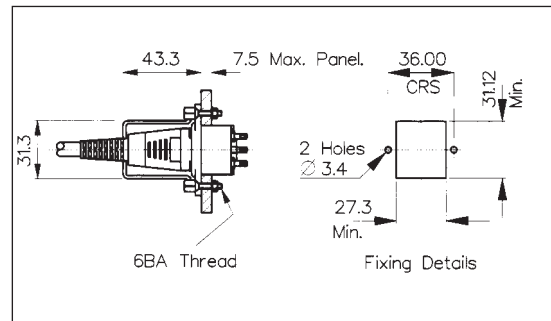
- Prevents Accidental Removal
- Fits PX0587 with flange inlets



RETAINING CLIP



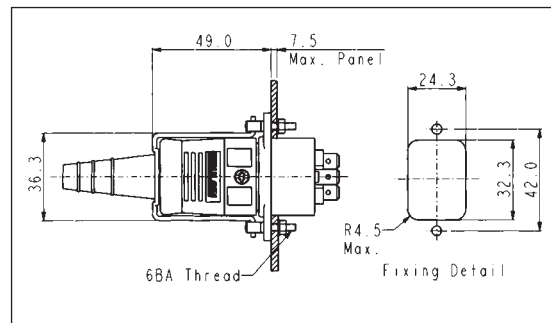
- Prevents Accidental Removal
- Fits PX0587 with fused inlets



RETAINING CLIP



- Prevents Accidental Removal
- Suitable for use with PX0599 and PX0596 panel inlet



Specification	KT0006	KT0009	KT0012
	Retaining Clip to prevent accidental removal of connector.	Retaining Clip to prevent accidental removal of connector.	Retaining Clip to prevent accidental removal of connector.
	Fits: PX0580, PX0590, PX0675, PX0690, PX0793, PX0739/1	Fits: PF0001, PF0001/PC, PF0002, PF0030	Fits: PX0596
Material:	Clip: Stainless Steel, other parts Brass, Nickel Plated	Clip: Stainless Steel, other parts Brass, Nickel Plated	Clip: Stainless Steel, other parts Brass, Nickel Plated