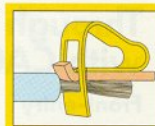


# Miniature Through Terminal Blocks for DIN 15 Rail

Front-entry

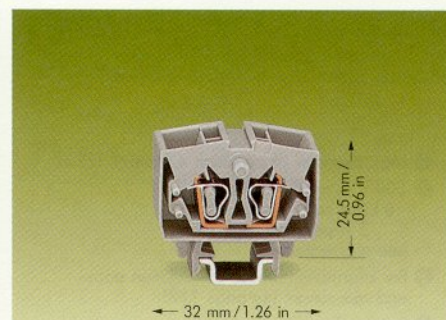
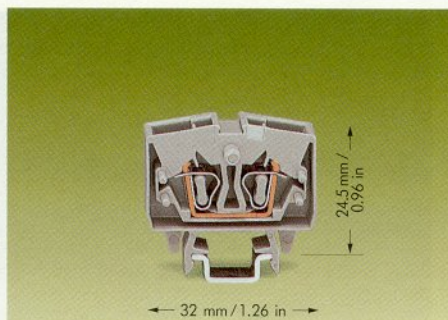
CAGE CLAMP®



1  
29

System description see page 1.18	0.08 – 2.5 mm <sup>2</sup> 800 V/8 kV/3 ① 24 A	AWG 28 – 12 600 V, 20 A ② 600 V, 20 A ③	2 x 0.08 – 2.5 mm <sup>2</sup> 800 V/8 kV/3 ① 24 A	2 x AWG 28 – 12 600 V, 20 A ② 600 V, 20 A ③
	Terminal block width 6 mm / 0.236 in 8 – 9 mm / 0.33 in		Terminal block width 10 mm / 0.394 in 8 – 9 mm / 0.33 in	
	*		*	

- ① 800 V = rated voltage  
8 kV = rated surge voltage  
3 = pollution degree  
(see also section 10)
- ② Test current in case of touch contacting 0.5 A max., 6 A if the test pins are firmly connected in the clamping units.
- ③ Max. test voltage 400 V/800 V only in test equipment, respecting relevant air and creepage distances. In case of touch contacting the max. test voltage must not exceed 48 V, test pins are not touchproof.
- ④ For marking possibilities see section 8. Direct printing of assemblies contact factory.
- ① Suitable for EEx i applications



Description	Item-No.	Pack.-unit pcs	Item-No.	Pack.-unit pcs		
Through terminal block, for DIN 15 rail	<b>2-conductor through terminal blocks</b>		<b>4-conductor through terminal blocks</b>			
	grey	264-701	100	grey	264-721	100
	blue	264-704 ①	100	blue	264-724 ①	100
	orange	264-706	100	orange	264-726	100
Accessories (see also section 8)	Appropriate marking system	<b>Mini-WSB</b>	Appropriate marking system	<b>Mini-WSB</b>		
<b>End and intermediate plate</b>	4 mm / 0.157 in thick		4 mm / 0.157 in thick			
	orange	264-369	25	orange	264-369	25
	grey	264-368	25	grey	264-368	25
<b>Comb type jumper bar, insulated, 2-way</b>	I <sub>N</sub> 16 A		I <sub>N</sub> 16 A			
	grey	264-402	200 (8 x 25)	grey	264-402	200 (8 x 25)
	reduces wire to 1.5 mm <sup>2</sup> /AWG 16			reduces wire to 1.5 mm <sup>2</sup> /AWG 16		
<b>Alternate comb type jumper bar, insulated, I<sub>N</sub> = I<sub>N</sub> of terminal block</b>	2-way	281-492	100 (4 x 25)	2-way	280-492	200 (8 x 25)
<b>Test plug adapter, modular, see also page 1.193</b>	6 mm / 0.236 in wide			10 mm / 0.394 in wide		
	grey	249-136	100 (4 x 25)	grey	249-139	100 (4 x 25)
	test current 0.5 A / 6 A ①			test voltage 800 V / 48 V ③		
<b>Test plug, w. cable 500 mm / 1'7.7"</b>	2 mm / 0.079 in Ø			2 mm / 0.079 in Ø		
	2.3 mm / 0.091 in Ø			2.3 mm / 0.091 in Ø		
	red	210-136	50 (5 x 10)	red	210-136	50 (5 x 10)
	yellow	210-137	50 (5 x 10)	yellow	210-137	50 (5 x 10)
<b>Operating tool, insulated, for comb jumpers</b>	2-way	280-432	1	2-way	280-432	1
<b>Screwless end stop, for DIN 15 rail</b>	6 mm / 0.236 in wide	249-101	25	6 mm / 0.236 in wide	249-101	25
<b>Miniature WSB-Quick marker card, 10 strips with 10 markers each, white with black printing</b>		248-5 . . ④	5 cards		264-9 . . ④	5 cards
<b>Carrier rail DIN 15, 15 x 5.5 mm / 0.59 x 0.217 in, 1 mm / 0.039 in th., steel, zinc plated a. yellow chrom.</b>	slotted			slotted		
	2 m / 6'6" long	210-111	1	2 m / 6'6" long	210-111	1
<b>Carrier rail DIN 15, 15 x 5.5 mm / 0.59 x 0.217 in, 1 mm / 0.039 in th., steel, zinc plated a. yellow chrom.</b>	unslotted			unslotted		
	2 m / 6'6" long	210-295	1	2 m / 6'6" long	210-295	1
<b>Carrier rail DIN 15, 15 x 5.5 mm / 0.59 x 0.217 in, 1 mm / 0.039 in th., aluminum</b>	unslotted			unslotted		
	2 m / 6'6" long	210-296	1	2 m / 6'6" long	210-296	1
<b>Ground (earth) conductor terminal block with the same shape</b>				green-yellow	264-727	page 1.53

\* For further approvals with corresponding ratings see pages 10.3 ff.