

# Customer Information Sheet

DRAWING No.: H3161-XX

SHEET 2 OF 2

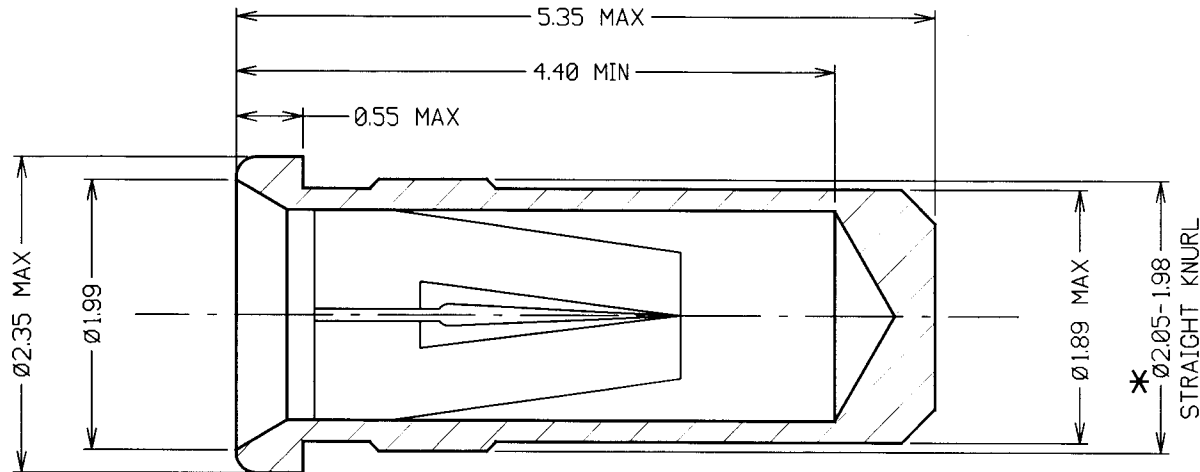
IF IN DOUBT - ASK

©

NOT TO SCALE

THIRD ANGLE PROJECTION

ALL DIMENSIONS IN mm



**SPECIFICATION:**

**MATERIAL:**

CONTACT SHELL - BRASS  
CONTACT CLIP - BERYLLIUM COPPER

**FINISH:**

01 - 0.1µ GOLD CLIP, 4µ TIN SHELL  
05 - 0.1µ GOLD CLIP, 0.13µ GOLD SHELL  
T6 - 1.3µ 90/10 TIN/LEAD CLIP, 4µ TIN SHELL

**ELECTRICAL:**

CURRENT RATING AT 25°C - 10A  
CURRENT RATING AT 85°C - 7.5A  
CONTACT RESISTANCE - 10 MILLIOHMS

**MECHANICAL:**

INSERTION FORCE (0.1mm GAUGE) - 9N MAX, 3N MIN  
WITHDRAWAL FORCE (0.1mm GAUGE) - 3N MAX, 1N MIN  
DURABILITY - 01, 05 - 1000 OPERATIONS  
T6 - 100 OPERATIONS

**ENVIRONMENTAL:**

OPERATING TEMPERATURE - -40°C TO +105°C  
FOR COMPLETE SPECIFICATION, SEE COMPONENT SPECIFICATION C009XX (LATEST ISSUE).

**ORDER CODE:**

**H3161-XX**

**FINISH:**

01 = GOLD CLIP, TIN SHELL  
05 = GOLD CLIP, GOLD SHELL  
T6 = 90/10 TIN/LEAD CLIP, TIN SHELL

**NOTES:**

1. MAXIMUM CONTACT DEPTH = 3.90mm.
2. MAXIMUM PIN LENGTH = 4.50mm.
3. RECOMMENDED MOUNTING HOLE SIZE = 0.1.96-1.91mm.
4. RECOMMENDED PIN SIZE = 0.1.05-0.90mm.

15	14.05.01	5911
ISS.	DATE	C/NOTE
APPROVED: <i>WSS</i>		
CHECKED: <i>[Signature]</i>		
DRAWN: J. EVANS		
CUSTOMER REF.:		
ASSEMBLY DRG:		

**HARWIN**

THIS DRAWING AND ANY INFORMATION OR DESCRIPTIVE MATTER SET OUT HEREON ARE CONFIDENTIAL AND COPYRIGHT PROPERTY OF THE HARWIN GROUP AND MUST NOT BE DISCLOSED, LOANED, COPIED OR USED FOR MANUFACTURING, TENDERING OR FOR ANY OTHER PURPOSE WITHOUT THEIR WRITTEN PERMISSION.

**TOLERANCES**

X. - ±1mm  
X.X - ±0.25mm  
X.XX - ±0.10mm  
X.XXX - ±0.01mm  
ANGLES - ±1°  
UNLESS STATED

**MATERIAL:**

SEE ABOVE

FINISH: SEE ORDER CODE

S/AREA: mm<sup>2</sup>

**TITLE:**

0.1mm SOCKET BODY

DRAWING NUMBER:

**H3161-XX**

HARWIN INC  
U.S.A.  
TEL: (812) 285 0055  
FAX: (812) 285 0056

HARWIN PLC  
U.K.  
TEL: 023 9231 4545  
FAX: 023 9231 4590

HARWIN PTE  
SINGAPORE  
TEL: 65 7794909  
FAX: 65 7793868

SHT  
2  
OF  
2