



40MM AND 63MM FRONT PANEL MOUNT

- Ø40mm and Ø63mm gauges
- Copper alloy measuring system
- Panel mounting
- Rear entry
- Ranges from 1..15 bar to 0..400 bar
- Accuracy class 2.5 DIN 16005

Nominal Size

40/63mm

Type

1417

1436

1437

PART NUMBERS

Range(Bar)	1417	1436	1437
-1 to 0	016001	016001	016001
-1 to 0.6	042901	042903	042901
-1 to 1.5	043901	043903	043901
-1 to 3	044901	044903	044001
-1 to 5	045901	045903	045901
-1 to 9	046901	046903	046901
-1 to 15	049901	049903	049901
0 to 0.6	-	067903	067901
0 to 1	069001	069903	069001
0 to 1.6	070001	070001	070001
0 to 2.5	072001	072001	072001
0 to 4	073001	073001	073001
0 to 6	074001	074001	074001
0 to 10	075001	075001	075001
0 to 16	076001	076001	076001
0 to 25	078001	078001	078001
0 to 40	079001	079001	079901
0 to 60	080901	080903	080001
0 to 100	081901	081903	081001
0 to 160	082901	082903	082001
0 to 250	084901	084903	084001
0 to 315	085901	085903	085901
0 to 400	086901	086903	086901

TECHNICAL SPECIFICATION

Type	1417	1436	1437
Symbol			
Nominal size	40	63	
Accuracy class	2.5 to Din 16005		
Operating range	Constant load: 3/4 x full scale Alternating load: 2/3 x full scale		
Case	Steel, black finish		
Bezel	Triangular	Front flange	Triangular
Steel chrome plated			
Window	Plexiglass		
Dial	Plastic, white, scale black		
Pointer	Plastic black	Aluminium black	
Movement	Cu Zn alloy (Brass)		
Wetted parts			
Measuring element	Cu alloy		
Pressure connection	Cu Zn alloy		
Position	Central, back		
Connection thread	G ¹ / ₄ A (1/4" BSP)		
Temperature ranges			
Media	Tmin -20°C, Tmax +60°C		
Ambient	Tmax +60°C		
Weight approx (Kg)	0.11	0.14	0.14

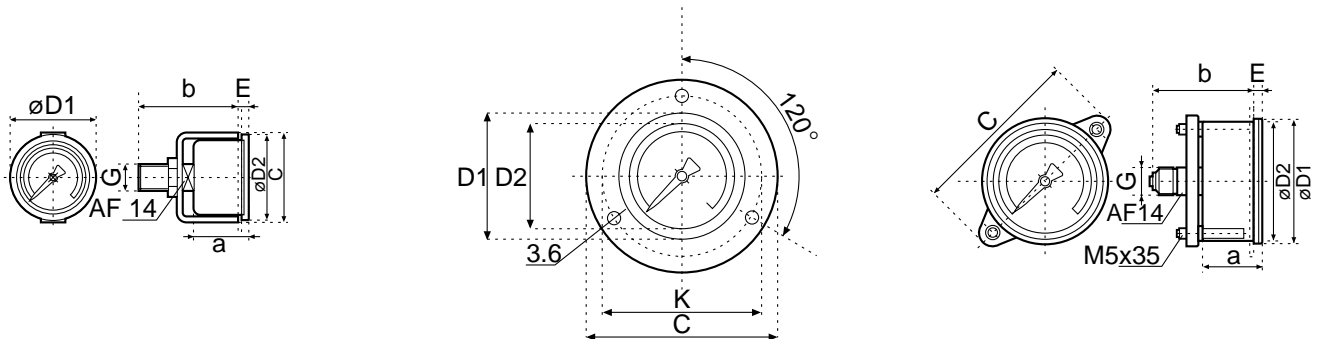
OPTIONS

(see page 49)

- Dual scale bar/psi
- Connection threads

DIMENSIONS

All dimensions in mm



Type 1417

Type 1436

Type 1437

Type	NG	a± 0.5	b± 0.5	C± 1	D1± 0.5	D2± 0.5	E± 0.5	G	K	Panel cutout
1417	40	28.5	53.5	49	44	40	4.5	G ¹ / ₄ A (1/4" BSP)	-	42.5±0.5
1436	63	31.5	53	91	67	62	5	G ¹ / ₄ A (1/4" BSP)	-	63.5±0.5
1437	63	31.5	53	91	67	62	5	G ¹ / ₄ A (1/4" BSP)	75	63.5±0.5