

# RSF64EXS & RSF64EXT

## Variable insertion depth Float Switches

A vertical float switch, with either normally open or normally closed (when the float is down) switching action, permanently coupled to a 300mm PVC tube. This provides a float switch, whose overall depth can be varied between 150mm and 450mm, by adjusting its position in a sliding clamp.

Further 306mm PVC extension tubes may be added, up to a maximum of three, to provide insertion depths up to 1350mm.

### TECHNICAL SPECIFICATIONS

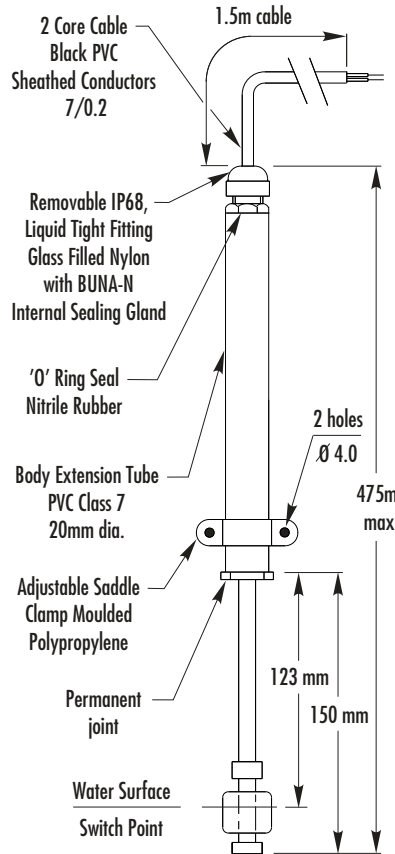
Operating Temperature	°C	0 / +75
Minimum S.G. of Fluid		0.80
Float material		Polypropylene
Stem material		Polyphenylene Sulphide
Tube material		PVC Class 7
Cable length	Metres	1.5
Maximum Switching Voltage	V ac/dc	50
Maximum Switching Current	A	0.5
Maximum Switching Power	W/VA	10
Electrical life	Ops	5 x 10 <sup>6</sup>

<b>Farnell stock no.</b>	<b>730-683</b>	<b>730-695</b>
<b>Crydom Pt no.</b>	<b>RSF64EXS</b>	<b>RSF64EXT</b>

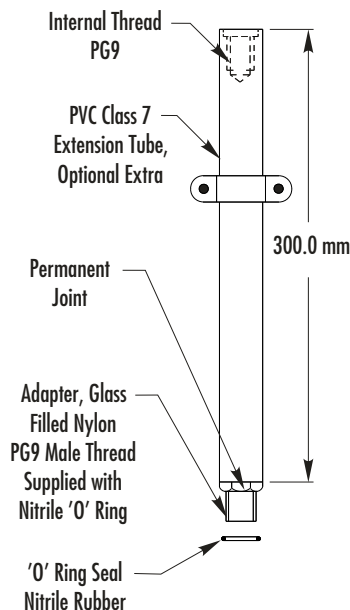
<b>Switching</b>		
Action	N/O	Tube only
Switching depth	123 - 423mm	Add 306mm per

Other configurations can be configured, by Crydom, using combinations of any of the RSF60 series float switches and a PVC extension tube. Contact Crydom Sales for advice on particular requirements.

Every effort has been made to ensure that the descriptions and specifications quoted are correct, however, no liability can be accepted for any errors or omissions in this data. The detail specifications are subject to change without prior notice.



**Switch Assembly**



**Extension Assembly**



- **Insertion Depth 150mm - 1350mm**
- **Easy to install**
- **Adjustable Level**

Crydom Magnetics Ltd  
7 Cobham Road  
Ferndown Industrial Estate  
Wimborne  
Dorset BH21 7PE  
Tel: +44 (0) 1202 897969  
Fax: +44 (0) 1202 891918  
magnetics@crydom.com  
www.crydom.co.uk