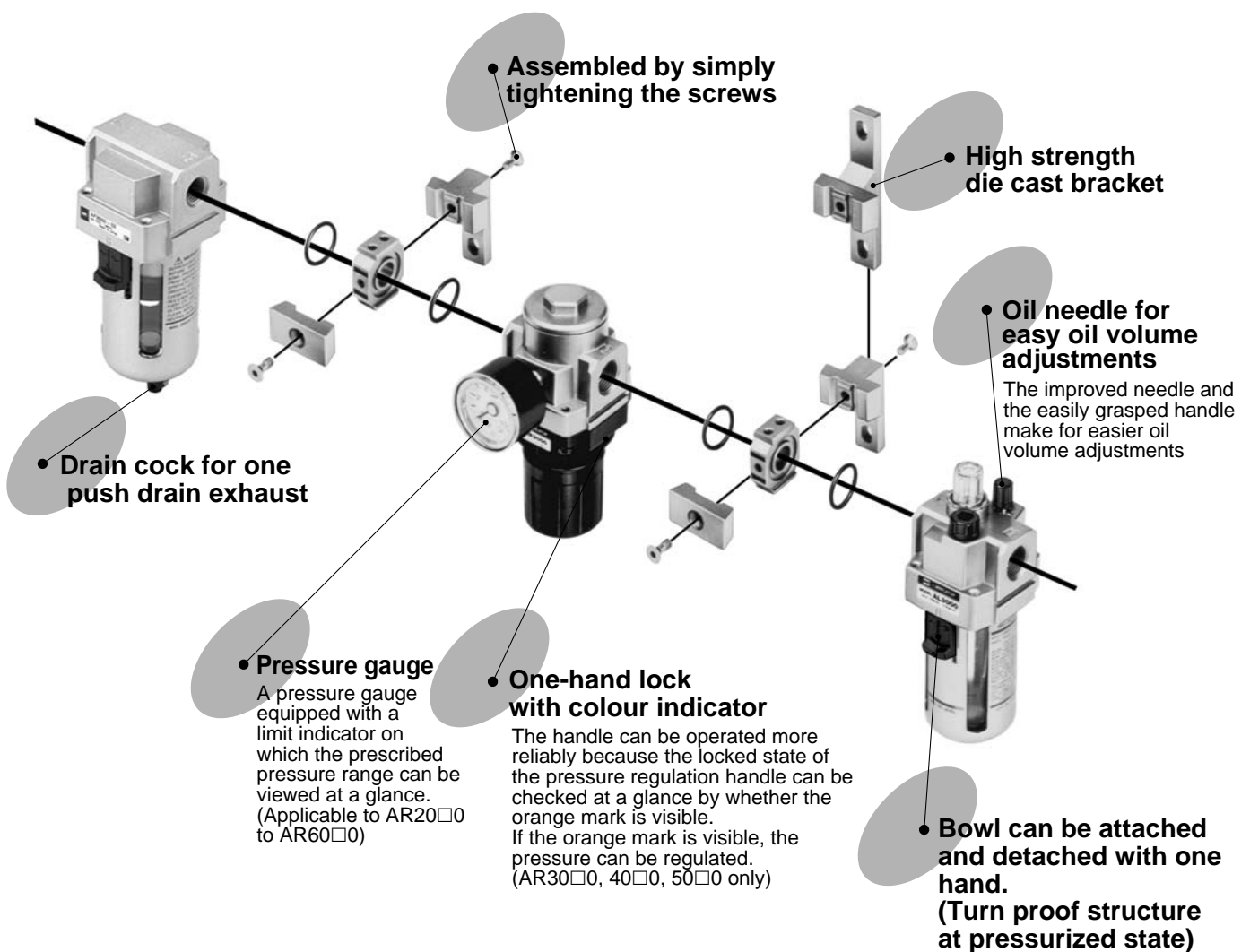




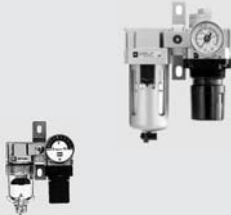


Modular Style Air Combination

Series AC



Air Combination Series AC

Standard Combinations

Combination	Model	Port size	Constructing equipment				
			Air filter AF	Regulator AR	Lubricator AL	Filter regulator AW	Mist separator AFM
AF+AR+AL 	AC1000	M5	AF1000	AR1000	AL1000		
	AC2000	1/8, 1/4	AF2000	AR2000	AL2000		
	AC2500	1/4, 3/8	AF3000	AR2500	AL3000		
	AC3000	1/4, 3/8	AF3000	AR3000	AL3000		
	AC4000	1/4, 3/8, 1/2	AF4000	AR4000	AL4000		
	AC4000-06	3/4	AF4000-06	AR4000-06	AL4000-06		
	AC5000	3/4, 1	AF5000	AR5000	AL5000		
	AC5500	1	AF6000	AR5000	AL6000		
	AC6000	1	AF6000	AR6000	AL6000		
AW+AL 	AC1010	M5			AL1000	AW1000	
	AC2010	1/8, 1/4			AL2000	AW2000	
	AC3010	1/4, 3/8			AL3000	AW3000	
	AC4010	1/4, 3/8, 1/2			AL4000	AW4000	
	AC4010-06	3/4			AL4000-06	AW4000-06	
AF+AR 	AC1020	M5	AF1000	AR1000			
	AC2020	1/8, 1/4	AF2000	AR2000			
	AC2520	1/4, 3/8	AF3000	AR2500			
	AC3020	1/4, 3/8	AF3000	AR3000			
	AC4020	1/4, 3/8, 1/2	AF4000	AR4000			
	AC4020-06	3/4	AF4000-06	AR4000-06			
	AC5020	3/4, 1	AF5000	AR5000			
	AC5520	1	AF6000	AR5000			
	AC6020	1	AF6000	AR6000			
AF+AFM+AR 	AC2030	1/8, 1/4	AF2000	AR2000			AFM2000
	AC2530	1/4, 3/8	AF3000	AR2500			AFM3000
	AC3030	1/4, 3/8	AF3000	AR3000			AFM3000
	AC4030	1/4, 3/8, 1/2	AF4000	AR4000			AFM4000
	AC4030-06	3/4	AF4000-06	AR4000-06			AFM4000-06
AW+AFM 	AC2040	1/8, 1/4				AW2000	AFM2000
	AC3040	1/4, 3/8				AW3000	AFM3000
	AC4040	1/4, 3/8, 1/2				AW4000	AFM4000
	AC4040-06	3/4				AW4000-06	AFM4000-06

AC

AV

AU

AF

AR

IR

VEX

SRP

AW

AMR

AWM

AWD

ITV

VBA

G

AL

E AC 30 00 F 03 DG ST 12R

Air combination

Body size

10	M5
20	1/8
25	1/4
30	3/8
40	1/2
50	3/4
55	1
60	1

Ordering source area code

-	Japan, Asia Australia
E	Europe
N	North America

Combination of equipment

Symbol	Combination of equipment				
	Filter (AF)	Regulator (AR)	Lubricator (AL)	Filter regulator (AW)	Mist separator (AFM)
00	①	②	③	—	—
10	—	—	②	①	—
20	①	②	—	—	—
30	①	③	—	—	②
40	—	—	—	①	②

(1) Numbers in ○ indicate the constructing order from the left hand side (upper stream) with a view from front.

Ex.) Symbol 00 — AF+AR+AL
 10 — AW+AL
 (Available only for AC1010 to 4010.)
 20 — AF+AR
 30 — AF+AFM+AR
 (Available only for AC2030 to 4030.)
 40 — AW+AFM
 (Available only for AC2040 to 4040.)

(2) Standard bracket for a set of 2 pieces: T type bracket
 A set of 3 pieces or more: L type bracket

Thread

—	Metric thread (M5)
—	Rc (PT)
N	NPT
F	G(PF)

Port size

M5	M5 X 0.8
01	1/8
02	1/4
03	3/8
04	1/2
06	3/4
10	1

Accessories (Options)

Symbol	Description	Applicable model
C	Auto drain	Float style (N.C.): AC2500 to AC6000
D	Auto drain	Pressure differential style: AC1000, AC2000 Float style (N.O.): AC2500 to AC6000
G	Pressure gauge	Without limit indicator: AC1000 With limit indicator: AC2000 to AC6000

Option specifications

1 ⁽¹⁾	Set at 0.02 to 0.2MPa (Regulator)
2	Metal bowl (Filter/Lubricator)
3	Lubricator with drain cock
6	Nylon bowl (Filter/Lubricator)
8	Metal bowl with level gauge (Filter/Lubricator) (Applicable to AC2500 to AC6000.)
C	Bowl guard (Applicable to AC20 □ 0 only.)
J ⁽²⁾	Drain guide port size 1/4 (AC2500 to AC6000)
N	Non relieving style (Regulator)
R	Flow direction: Right to left
W	Drain cock with barb fitting: For ø6/ø4 nylon (Filter) (Applicable to AC2500 to AC6000)

* If indicating more than one symbol, place the desired symbols in numerical order then alphabetical order.
 Example) 2NR



Note 1) Only adjusting spring of regulator is different from standard specification.
 Note 2) Without valve mechanism.

Attachments

Symbol	Description	Mounting location of attachment	Applicable model	Air intermediate output port size
—	None	—	—	—
K	Check valve	AF + AR + K + AL	AC2000 to AC4000	AC20□0: 1/8 AC25□0: 1/4 AC30□0: 1/4 AC40□0: 3/8
		AW + K + AL	AC2010 to AC4010	
S	Pressure switch	AF + AR + S + AL	AC2000 to AC6000	—
		AF + S + AR	AC2020 to AC6020	
		AF + AFM + S + AR	AC2030 to AC4030	
T	T type interface	AF + T + AR + AL	AC1000 to AC6000	AC10□0: M5 X 0.8 AC20□0: 1/8 AC25□0: 1/4 AC30□0: 1/4 AC40□0: 3/8 AC50□0: 3/8 AC55□0: 1/2 AC60□0: 1/2
		AF + T + AR	AC1020 to AC6020	
		AF + AFM + T + AR	AC2030 to AC4030	
V	Residual pressure exhaust 3 port valve	AF + AR + AL + V	AC2000 to AC4000	—
		AW + AL + V	AC2010 to AC4010	
		AF + AR + V	AC2020 to AC4020	
		AF + AFM + AR + V	AC2030 to AC4030	
	AW + AFM + V	AC2040 to AC4040		



Note 1) If indicating more than one symbol, place the desired symbols in alphabetical order.
 Note 2) For piping adapter, pressure switch with piping adapter and cross interface, indicate part number, separately.
 Note 3) Consult SMC if using pressure switch and T type interface simultaneously.

Air Combination Series AC








Option Specifications Combination List

○: Combination possible □: Combination impossible ●: Depends on the model

	Description	Symbol	Accessory (Auto drain)	Option specification											F.R.L. Combination applicable model											
															AC1000	AC1020	AC2000	AC2020	AC2500	AC2520	AC3000	AC3010	AC3020	AC3030	AC3040	
				D	D	C	1	2	3	6	8	C	J	N	R	W	AC1010		AC2010	AC2030	AC2040		AC2530	AC3000 to AC6000	AC4010	AC3020 to AC6020
Accessory	Auto drain press. differential	D		○	○	○	○	○	●	○	○	○	○	○	○	○	○									
	Auto drain float style (N.O.)	D		○	○	○	○	○	●	○	○	○	○						○	○	○	○	○	○	○	
	Auto drain float style (N.C.)	C		○	○	○	○	○	●	○	○	○	○						○	○	○	○	○	○	○	
Option specification	Set at 0.02 to 0.2 MPa	-1	○	○	○	○	○	○	○	○	○	○	○	○	○	○	○	○	○	○	○	○	○	○	○	
	Metal bowl	-2	○	○	○	○	○	○	○	○	○	○	○	○	○	○	○	○	○	○	○	○	○	○	○	
	Lubricator with drain cock	-3	○	○	○	○	○	○	○	○	○	○	○	○	○	○	○	○	○	○	○	○	○	○	○	
	Nylon bowl	-6	○	○	○	○	○	○	○	○	○	○	○	○	○	○	○	○	○	○	○	○	○	○	○	
	Metal bowl with level gauge	-8	○	○	○	○	○	○	○	○	○	○	○	○	○	○	○	○	○	○	○	○	○	○	○	
	With bowl guard	-C	○	○	○	○	○	○	○	○	○	○	○	○	○	○	○	○	○	○	○	○	○	○	○	
	Drain guide (Port size 1/4)	-J	○	○	○	○	○	○	○	○	○	○	○	○	○	○	○	○	○	○	○	○	○	○	○	
	Non relieving style	-N	○	○	○	○	○	○	○	○	○	○	○	○	○	○	○	○	○	○	○	○	○	○	○	○
	Flow direction: right to left	-R	○	○	○	○	○	○	○	○	○	○	○	○	○	○	○	○	○	○	○	○	○	○	○	○
	One-touch drain cock w/ barb fitting	-W	○	○	○	○	○	○	○	○	○	○	○	○	○	○	○	○	○	○	○	○	○	○	○	○

- AC
- AV
- AU
- AF
- AR
- IR
- VEX
- SRP
- AW
- AMR
- AWM
- AWD
- ITV
- VBA
- G
- AL

Attachments

	Port size	Mechanism
Piping adapter 	M5 1/8, 1/4, 3/8, 1/2, 3/4, 1	Able to connect and disconnect equipment without detaching piping.
Pressure switch with piping adapter 	1/8, 1/4, 3/8, 1/2, 3/4	Compact switch united with piping adapter
Check valve 	1/8, 1/4, 3/8	Prevents reverse flow from lubricator.
Pressure switch 	—	Compact switch
T type interface 	M5 1/8, 1/4, 3/8, 1/2	Able to diverge air.
Residual pressure exhaust 3 port valve 	1/8, 1/4, 3/8, 1/2	Able to exhaust residual pressure in the line.
Cross interface 	M5 1/8, 1/4, 3/8, 1/2	Able to diverge piping in all directions.

Air Combination Air Filter + Regulator + Lubricator

AC1000 to 6000



Standard Specifications

Model		AC1000	AC2000	AC2500	AC3000	AC4000	AC4000-06	AC5000	AC5500	AC6000
Combination equipment	Air filter	AF1000	AF2000	AF3000	AF3000	AF4000	AF4000-06	AF5000	AF6000	AF6000
	Regulator	AR1000	AR2000	AR2500	AR3000	AR4000	AR4000-06	AR5000	AR5000	AR6000
	Lubricator	AL1000	AL2000	AL3000	AL3000	AL4000	AL4000-06	AL5000	AL6000	AL6000
Port size		M5	1/8 1/4	1/4 3/8	1/4 3/8	1/4 3/8 1/2	3/4	3/4 1	1	1
Gauge port size		1/16	1/8	1/8	1/8	1/4	1/4	1/4	1/4	1/4
Fluid		Air								
Proof pressure		1.5 MPa								
Max. operating pressure		1.0 MP								
Set pressure range		0.05 to 0.7 MPa	0.05 to 0.85 MPa							
Flow (l/min(ANR))(Port size) ⁽¹⁾		90 (M5 X 0.8)								
Ambient and fluid temperature		-5 to 60°C (Non-freezing)								
Filtration		5μm								
Recommended lubricant		Turbin oil class 1 (ISO VG32)								
Bowl material		Polycarbonate								
Construction/Regulator		Relieving style								
Weight (kg)		0.26	0.74	1.04	1.18	2.14	2.47	3.82	4.04	4.39
Accessory (Standard equipment)	Bowl guard	—	—	●	●	●	●	●	●	●
	Bracket	B110L	B210L	B310L	B310L	B410L	B510L	B610L	B610L	B610L

Note 1) Supply pressure: 0.7 MPa, Set pressure: 0.5 MPa

Attachments/Accessories (Options)

Description	Model	Part No.								
		For AC1000	For AC2000	For AC2500	For AC3000	For AC4000	For AC4000-06	For AC5000	For AC5500	For AC6000
Piping adapter		E10-M5	E20- ^{□01} _{□02} ^{□03}	E30- ^{□02} _{□03} ^{□04}	E30- ^{□02} _{□03} ^{□04}	E40- ^{□02} _{□03} ^{□04} ^{□06}	E50-□06	E60- ^{□06} _{□10}	E60- ^{□06} _{□10}	E60- ^{□06} _{□10}
Pressure switch with piping adapter		—	IS1000E- ^{□01} _{□02} ^{□03} Y	IS1000E- ^{2□02} _{2□03} ^{2□04} Y	IS1000E- ^{3□02} _{3□03} ^{3□04} Y	IS1000E- ^{4□02} _{4□03} ^{4□04} ^{4□06} Y	—	—	—	—
Check valve ⁽²⁾		—	AKM2000- ^{□01} _{□02}	AKM3000- ^{□01} _{□02}	AKM3000- ^{□01} _{□02}	AKM4000- ^{□02} _{□03}	—	—	—	—
Pressure switch		—	IS1000M-2Y	IS1000M-3Y	IS1000M-3Y	IS1000M-4Y	IS1000M-5Y	IS1000M-6Y	IS1000M-6Y	IS1000M-6Y
T type interface ⁽²⁾		Y11-M5	Y21- ^{□01} _{□02}	Y31- ^{□01} _{□02}	Y31- ^{□01} _{□02}	Y41- ^{□02} _{□03}	Y51- ^{□02} _{□03}	Y61- ^{□03} _{□04}	Y61- ^{□03} _{□04}	Y61- ^{□03} _{□04}
Residual press. exhaust 3 port valve			VHS2000- ^{□01} _{□02}	VHS3000- ^{□02} _{□03}	VHS3000- ^{□02} _{□03}	VHS4000- ^{□02} _{□03}	02 —	—	—	—
Cross interface		Y14-M5				□□	—	—	—	—
T type bracket		B110T	B210T	B310T	B310T	B410T	B510T	B610T	B610T	B610T
Interface		Y10	Y20	Y30	Y30	Y40	Y50	Y60	Y60	Y60
Pressure gauge	1.0MPa	G27-10-R1								
	0.2MPa	(G27-10-R1) ⁽³⁾								
Auto drain float ⁽⁴⁾	N.O.			AD43	AD43	AD44	AD44	AD44	AD44	AD44
	N.C.			AD53	AD53	AD54	AD54	AD54	AD54	AD54
Auto drain w/ press. diff.		AD61	AD62				—	—	—	—

Note 2) Standard specification of air combination: Port size without ()

Note 3) Use the one for 1.0MPa

Note 4) Minimum operating pressure: N.O. 0.1 MPa, N.C. 0.15MPa *01, -02, -03, -04, -06, -10 after part number indicate port size. (01: 1/8, 02: 1/4, 03: 3/8, 04: 1/2, 06: 3/4, 10: 1)

Note 5) □ in the part number indicate a connecting thread. Use nothing for Rc(PT), N for NPT and F for G(PF). G(PF) pressure gauge is unavailable.

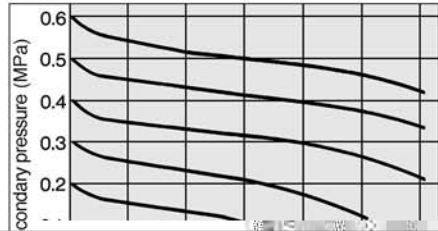
Consult SMC for NPT pressure gauges.

Flow Characteristics

Condition: Supply pressure 0.7MPa

AC1000

M5



AC4000-06

Rc(PT)^{3/4}



AC2000

Rc(PT)^{1/4}

AC5000

Rc(PT)^{3/4}

AC2500

Rc(PT)^{3/8}

AC5500

Rc(PT)¹

AC3000

Rc(PT)^{3/8}

AC6000

Rc(PT)¹

AC4000

Rc(PT)^{1/2}

⚠️ Precaution

Be sure to read before handling.
Refer to p.0-26 and 0-27 for Safety Instructions and common precautions on the products mentioned in this catalogue, and refer to p.1.0-1 and 1.0-2 for precautions on every series.

Selection

⚠️ Warning

- For AC3030, 4030, 3040 and 4040 with float style auto drain(N.O.), use 2.2kW or larger compressor.
Because 2 auto drains are used and 200ℓ/min air is needed, it might malfunction with a compressor weaker than the required ability.

⚠️ Caution

- In case of mounting a regulator in up right direction, no pressure switch(IS1000M-□) attachment or T type interface can be mounted, for it touches bonnet. It is the same as a filter regulator.
- There is possibility of oil flowing back when mounting T type interface onto the supply side of lubricator and take out in the middle. It cannot be used for air non lubrication style. To use it as for air non lubrication style, it is necessary to use check valve(Series AKM) to prevent reverse flow.
- Mounting pressure switch and T type interface on the IN side of check valve makes it impossible to take out piping in the middle of check valve.
- When mounting residual pressure release 3 port valve directly to the IN side of a lubricator, use check valve (Series AKM) to prevent reverse flow of oil.
- Pressure switch and T type interface cannot be mounted to OUT side of residual pressure release 3 port valve, as a part of the products interferes.

Piping

⚠️ Warning

- When mounting check valve, make sure of the position of ▷ mark which indicates an entrance of air (IN side), and connect.

Air Supply

⚠️ Caution

- If residual pressure release 3 port valve is to be mounted, use an air filter 5μm filtration rating or less to prevent any damage on sheet part by dust, paper, etc.

AC

AV

AU

AF

AR

IR

VEX

SRP

AW

AMR

AWM

AWD

ITV

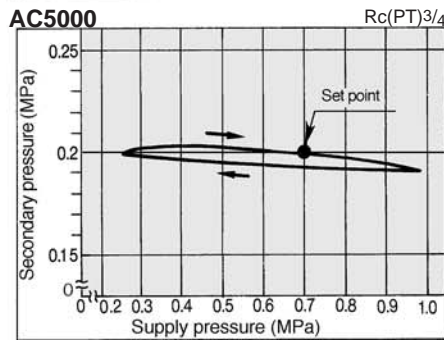
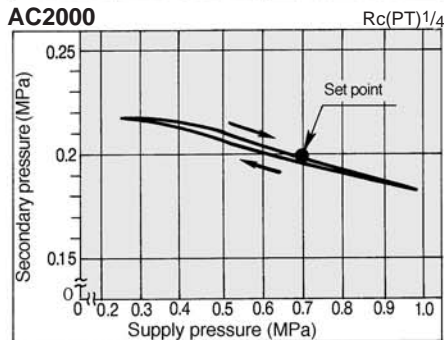
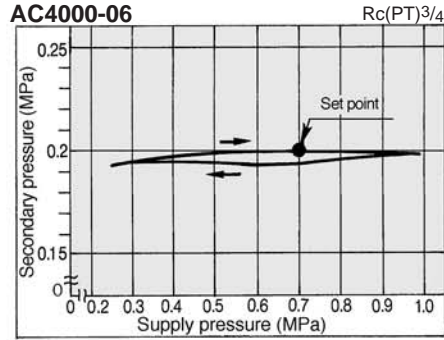
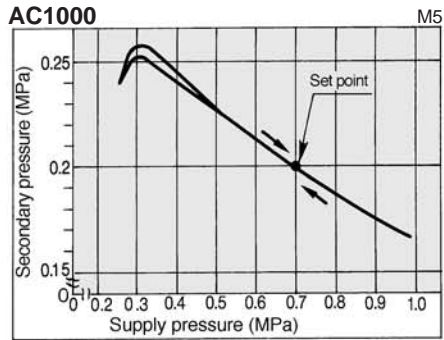
VBA

G

AL

AC1000 to 6000

Pressure Characteristics Conditions: Supply pressure 0.7MPa, Secondary pressure 0.2MPa, Flow 20ℓ/min(ANR)



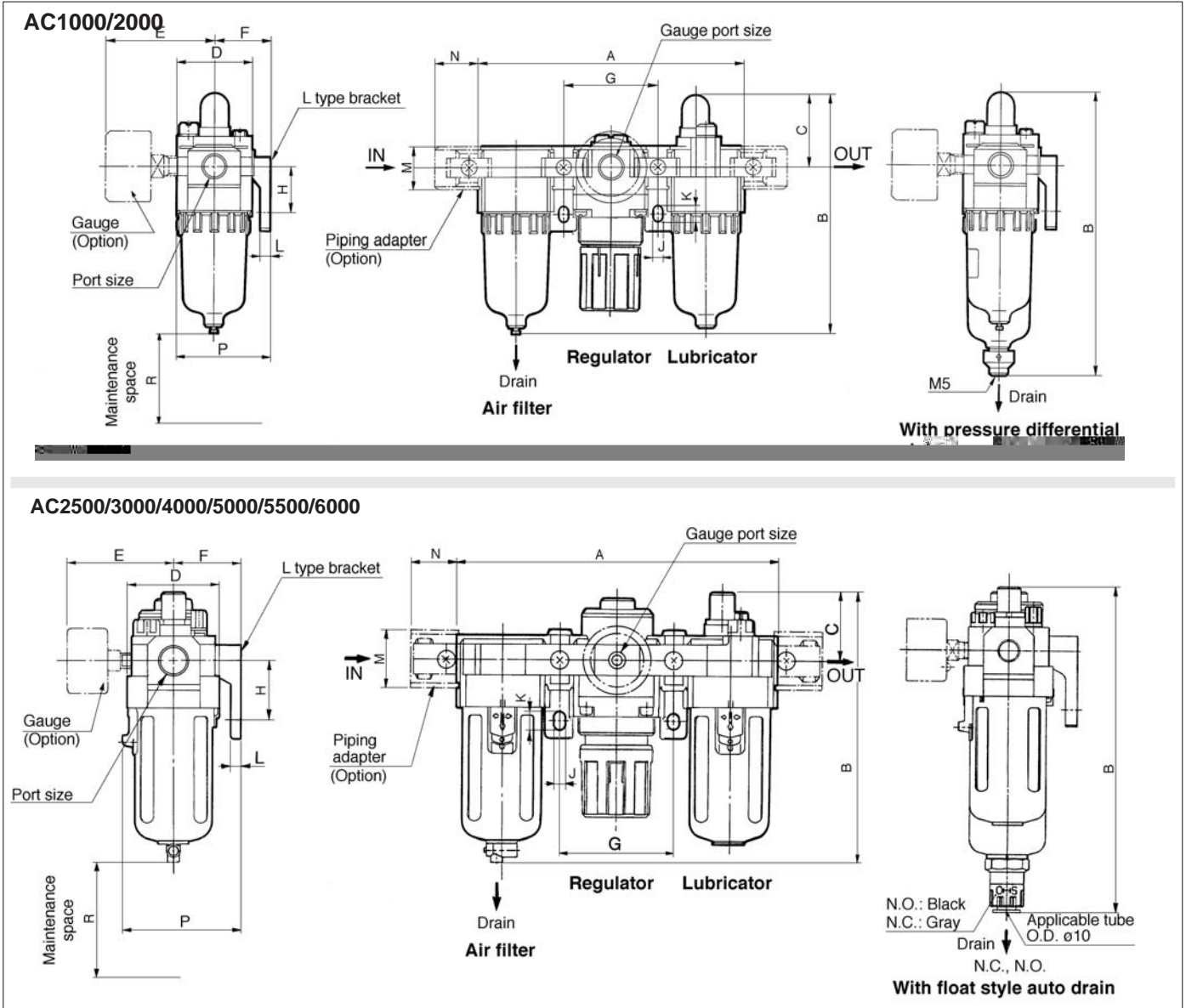
AC3000 Rc(PT)^{3/8}

AC6000 Rc(PT)1

AC4000 Rc(PT)^{1/2}

AC1000 to 6000

Dimensions



- AC
- AV
- AU
- AF
- AR
- IR
- VEX
- SRP
- AW
- AMR
- AWM
- AWD
- ITV
- VBA
- G
- AL

Model	Port size	A	B	C	D	Bracket mounting size							M	N	P	R	With auto drain	
						E	F	G	H	J	K	L					Float	Press. Diff.
																	B	B
AC1000	M5	91	84.5	25.5	25	26	25	33	20	4.5	7.5	5	17.5	16	38.5	50	—	105
AC2000	1/8, 1/4	140	124.5	38	40	56.8	30	50	24	5.5	8.5	5	22	23	50	80	—	147.5
AC2500	1/4, 3/8	181	153	38	53	60.8	41	64	35	7	11	7	34.2	26*	70.5	80	194	—
AC3000	1/4, 3/8	181	153	38	53	60.8	41	64	35	7	11	7	34.2	26*	70.5	80	194	—
AC4000	1/4, 3/8, 1/2	238	188	41	70	65.5	50	84	40	9	13	7	42.2	33*	88	105	229	—
AC4000-06	3/4	253	189.5	40.5	70	69.5	50	89	40	9	13	7	46.2	36	88	105	230.5	—
AC5000	3/4, 1	300	268	48	90	75.5	70	105	50	12	16	10	55.2	40	108	105	309.5	—
AC5500	1	310	282	48	95	75.5	70	105	50	12	16	10	55.2	40	108	105	323.5	—
AC6000	1	315	282	48	95	78	70	110	50	12	16	10	55.2	40	108	105	323.5	—

Option**

Model	Barb fitting	With drain guide	Metal bowl	Metal bowl with level gauge
	B	B	B	
AC1000	—	—	84.5	—
AC2000	—	—	125	—
AC2500	161.5	159	166	186
AC3000	161.5	159	166	186
AC4000	196.5	194	201	221
AC4000-06	198	195.5	202.5	222.5
AC5000	276.5	274	281	301
AC5500	290.5	288	295	315
AC6000	290.5	288	295	315

*For piping adapter AC2500, 3000, port size 1/2: 40mm, For AC4000, port size 3/4: 50mm

**For options (with barb fitting, with drain guide, metal bowl, with level gauge), body length (B dimension) is different.



AC3010

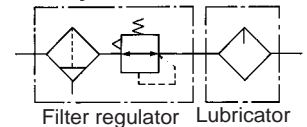


AC2010



AC1010

JIS symbol



Standard Specifications

Model		AC1010	AC2010	AC3010	AC4010	AC4010-06
Combination equipment	Filter regulator	AW1000	AW2000	AW3000	AW4000	AW4000-06
	Lubricator	AL1000	AL2000	AL3000	AL4000	AL4000-06
Port size		M5	1/8 1/4	1/4 3/8	1/4 3/8 1/2	3/4
Gauge port size (Rc(PT))		1/16	1/8	1/8	1/4	1/4
Fluid		Air				
Proof pressure		1.5MPa				
Max. operating pressure		1.0MPa				
Set pressure range		0.05 to 0.7 MPa	0.05 to 0.85 MPa			
Flow (l/min(ANR)) (Port size) ⁽¹⁾		90(M5)	500(1/4)	1700(3/8)	3000(1/2)	3000(3/4)
Ambient and fluid temperature		-5 to 60°C (Non-freezing)				
Filtration		5μm				
Recommended lubricant		Turbin oil class 1 (ISO VG32)				
Bowl material		Polycarbonate				
Construction/Filter regulator		Relieving style				
Weight (kg)		0.22	0.66	0.98	1.93	1.99
Accessory (Standard equipment)	Bowl guard	—	—	●	●	●
	Bracket ⁽²⁾	B110T	B210T	B310T	B410T	B510T

Note 1) Conditions: Supply pressure 0.7MPa, Set pressure 0.5MPa
 Note 2) For a set of 3 pieces or more: L type bracket

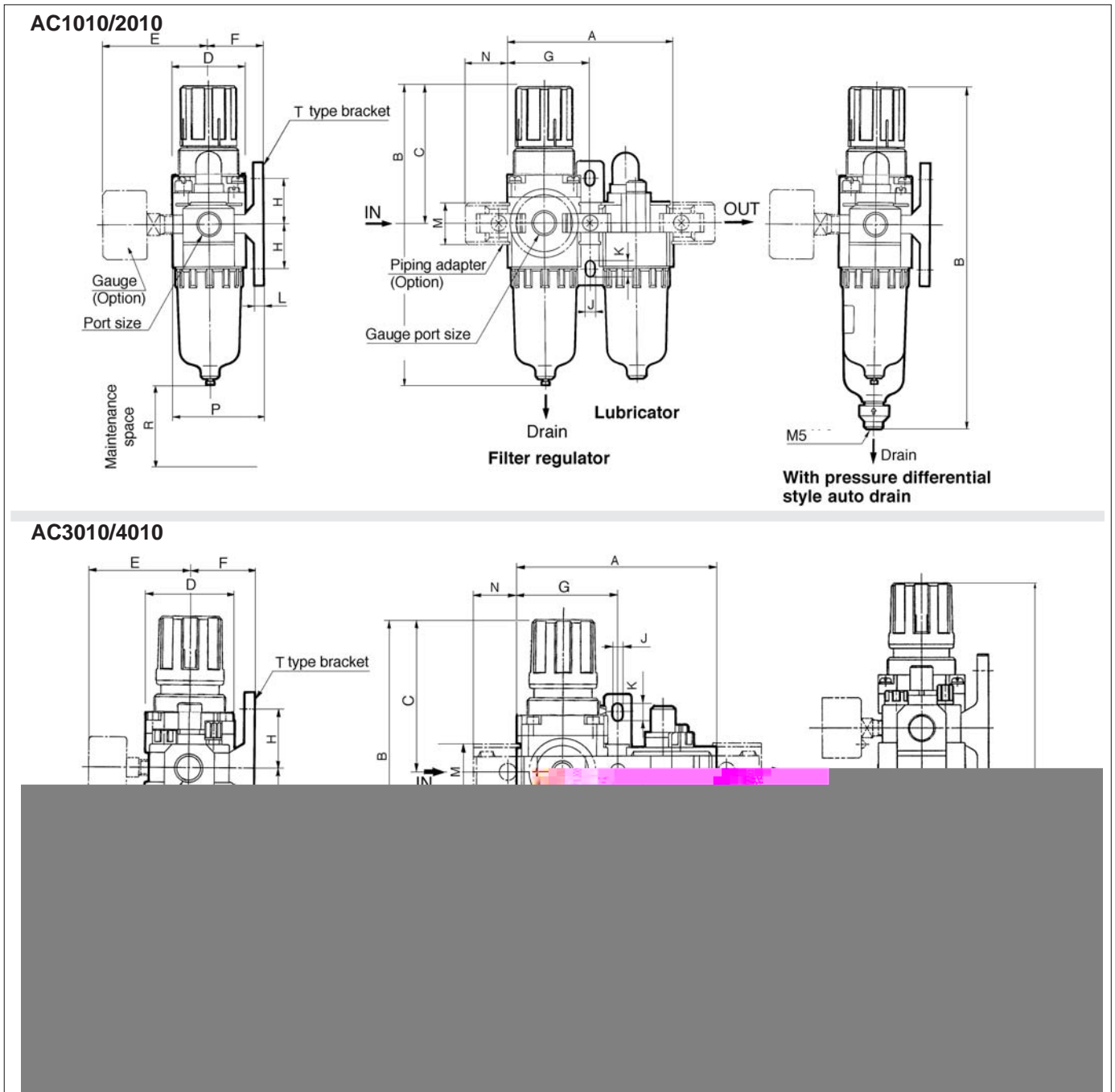
Attachments/Accessories (Options)

Description	Model	Part No.				
		For AC1010	For AC2010	For AC3010	For AC4010	For AC4010-06
Piping adapter		E10-M5	E20- ^{□01} _{□02} ^{□03}	E30- ^{□02} _{□03} ^{□04}	E40- ^{□02} _{□03} ^{□04} ^{□06}	E50- ^{□06}
Pressure switch with piping adapter		—	IS1000E- ² _{□01} ² _{□02} ² _{□03} Y	IS1000E- ³ _{□02} ³ _{□03} ³ _{□04} Y	1S1000E- ⁴ _{□02} ⁴ _{□03} ⁴ _{□04} ⁴ _{□06} Y	—
Check valve ⁽³⁾		—	AKM2000- ^{□01} _{□02}	AKM3000- ^{□01} _{□02}	AKM4000- ^{□02} _{□03}	—
Residual pressure exhaust 3 port valve		—	VHS2000- ^{□01} _{□02}	VHS3000- ^{□02} _{□03}	VHS4000- ^{□02} _{□03} ^{□04}	—
Cross interface		Y14-M5	Y24- ^{□01} _{□02}	Y34- ^{□01} _{□02}	Y44- ^{□02} _{□03}	Y54- ^{□03} _{□04}
Interface		Y10	Y20	Y30	Y40	Y50
Pressure gauge	1.0MPa	G27-10-R1	G36-10- ^{□01}	G36-10- ^{□01}	G46-10- ^{□02}	G46-10- ^{□02}
	0.2MPa	(G27-10-R1) ⁽⁴⁾	G36-2- ^{□01}	G36-2- ^{□01}	G46-2- ^{□02}	G46-2- ^{□02}
Auto drain float style ⁽⁵⁾	N.O.	—	—	AD43	AD44	AD44
	N.C.	—	—	AD53	AD54	AD54
Auto drain pressure differential style		AD61	AD62	—	—	—

Note 3) Standard specification of air combination: Port size without ()
 Note 4) Substitute 1.0MPa type. *-01, -02, -03, -04, -06, after part number indicate port size. (-01: 1/8, -02: 3/8, -03: 3/8, -04: 1/2, -06: 3/4)
 Note 5) Minimum operating pressure: N.O. 0.1MPa, N.C. 0.15MPa
 Note 6) □ in the part number indicate a connecting thread. Use nothing for Rc(PT), N for NPT and F for G(PF). G(PF) pressure gauge is unavailable.
 Consult SMC for NPT pressure gauges.

AC1010 to 4010

Dimensions



- AC
- AV
- AU
- AF
- AR
- IR
- VEX
- SRP
- AW
- AMR
- AWM
- AWD
- ITV
- VBA
- G
- AL

Model	Port size	Bracket mounting size											With auto drain					
		A	B	C	D	E	F	G	H	J	K	L	M	N	P	R	Float	Press. Diff.
AC1010	M5	58	109.5	50.5	25	26	25	29	20	4.5	7.5	5	17.5	16	38.5	50	—	130
AC2010	1/8, 1/4	90	164.5	78	40	56.8	30	45	24	5.5	8.5	5	22	23	50	80	—	187.5
AC3010	1/4, 3/8	117	207.5	92.5	53	60.8	41	58.5	35	7	11	7	34.2	26*	70.5	80	248.5	—
AC4010	1/4, 3/8, 1/2	154	259	112	70	70.5	50	77	40	9	13	7	42.2	33*	88	105	300	—
AC4010-06	3/4	164	263	114	70	70.5	50	82	40	9	13	7	46.2	36	88	105	304	—

Option**

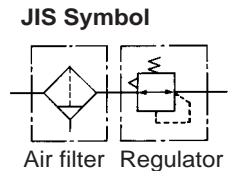
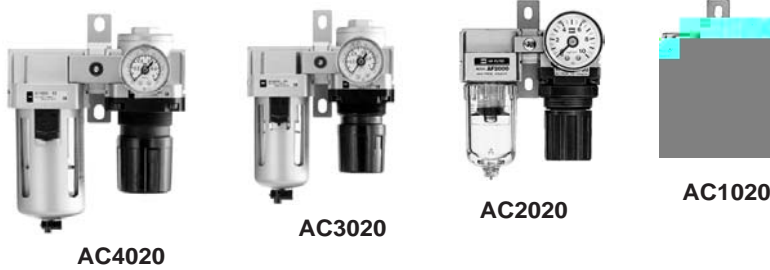
Model	Barb fitting	With drain guide	Metal bowl	Metal bowl with level gauge
	B	B	B	B
AC1010	—	—	109.5	—
AC2010	—	—	164.5	—
AC3010	216	213.5	220.5	240.5
AC4010	267.5	265	272	292
AC4010-06	272	269.5	276.5	296.5

*For piping adapter AC3010, port size 1/2: 40mm
For AC4010, port size 3/4: 50mm

**For options (with barb fitting, with drain fitting, with drain guide, metal bowl, with level gauge), body length (B dimension) is different.

Air Combination
Air Filter + Regulator

AC1020 to 6020



Standard Specifications

Model		AC1020	AC2020	AC2520	AC3020	AC4020	AC4020-06	AC5020	AC5520	AC6020
Combination equipment	Air filter	AF1000	AF2000	AF3000	AF3000	AF4000	AF4000-06	AF5000	AF6000	AF6000
	Regulator	AR1000	AR2000	AR2500	AR3000	AR4000	AR4000-06	AR5000	AR5000	AR6000
Port size		M5	1/8 1/4	1/4 3/8	1/4 3/8	1/4 3/8 1/2	3/4	3/4 1	1	1
Gauge port size		1/16	1/8	1/8	1/8	1/4	1/4	1/4	1/4	1/4
Fluid		Air								
Proof pressure		1.5 MPa								
Max. operating pressure		1.0 MPa								
Set pressure range		0.05 to 0.7 MPa	0.05 to 0.85 MPa							
Flow (l/min(ANR))(Port size) ⁽¹⁾		100 (M5 X 0.8)	550(1/4)	1500(3/8)	2000(3/8)	4000(1/2)	5000(3/4)	6000(3/4)	7000(1)	8000(1)
Ambient and fluid temperature		-5 to 60°C (Non-freezing)								
Filtration		5μm								
Bowl material		Polycarbonate								
Construction/Regulator		Relieving style								
Weight (kg)		0.21	0.54	0.68	0.82	1.61	1.71	2.52	2.63	2.98
Accessory (Standard equipment)	Bowl guard	—	—	●	●	●	●	●	●	●
	Bracket ⁽²⁾	B110T	B210T	B310T	B310T	B410T	B510T	B610T	B610T	B610T

Note 1) Conditions: Supply pressure 0.7MPa, Set pressure 0.5MPa
Note 2) Set of 3 or more than 3 pieces: L type bracket

Attachments/Accessories (Options)

Description	Model	Part No.									
		For AC1020	For AC2020	For AC2520	For AC3020	For AC4020	For AC4020-06	For AC5020	For AC5520	For AC6020	
Piping adapter		E10-M5	E20- ⁰¹ / ₀₂ / ₀₃	E30- ⁰² / ₀₃ / ₀₄	E30- ⁰² / ₀₃ / ₀₄	E40- ⁰² / ₀₃ / ₀₄ / ₀₆	E50-□06	E60- ⁰⁶ / ₁₀	E60- ⁰⁶ / ₁₀	E60- ⁰⁶ / ₁₀	
Pressure switch with piping adapter		—	IS1000E- ² / ₂ / ₀₃ ⁰¹ / ₀₂ Y	IS1000E- ³ / ₃ / ₀₃ ⁰² / ₀₃ Y	IS1000E- ³ / ₃ / ₀₃ ⁰² / ₀₄ Y	IS1000E- ⁴ / ₄ / ₀₃ ⁰² / ₀₄ Y	—	—	—	—	
Pressure switch		—	IS1000M-2Y	IS1000M-3Y	IS1000M-3Y	IS1000M-4Y	IS1000M-5Y	IS1000M-6Y	IS1000M-6Y	IS1000M-6Y	
T type interface ⁽³⁾		Y11-M5	Y21- ⁰¹ / ₀₂	Y31- ⁰¹ / ₀₂	Y31- ⁰¹ / ₀₂	Y41- ⁰² / ₀₃	Y51- ⁰² / ₀₃	Y61- ⁰³ / ₀₄	Y61- ⁰³ / ₀₄	Y61- ⁰³ / ₀₄	
Residual press. exhaust 3 port valve		—	VHS2000- ⁰¹ / ₀₂	VHS3000- ⁰² / ₀₃	VHS3000- ⁰² / ₀₃	VHS4000- ⁰³ / ₀₄	—	—	—	—	
Cross interface		Y14-M5	Y24- ⁰¹ / ₀₂	Y34- ⁰¹ / ₀₂	Y34- ⁰¹ / ₀₂	Y44- ⁰² / ₀₃	Y54- ⁰³ / ₀₄	—	—	—	
Interface		Y10	Y20	Y30	Y30	Y40	Y50	Y60	Y60	Y60	
Accessory	Pressure gauge	1.0MPa	G27-10-R1	G36-10-□01	G36-10-□01	G36-10-□01	G46-10-□02	G46-10-□02	G46-10-□02	G46-10-□02	
		0.2MPa	(G27-10-R1) ⁽⁴⁾	G36-2-□01	G36-2-□01	G36-2-□01	G46-2-□02	G46-2-□02	G46-2-□02	G46-2-□02	G46-2-□02
	Auto drain float ⁽⁵⁾	N.O.	—	—	AD43	AD43	AD44	AD44	AD44	AD44	AD44
		N.C.	—	—	AD53	AD53	AD54	AD54	AD54	AD54	AD54
Auto drain press. differential		AD61	AD62	—	—	—	—	—	—	—	

Note 3) Standard specification of air combination: Port size without ()
Note 4) Substitute 1.0MPa type.

Note 5) Minimum operating pressure: N.O. 0.1MPa, N.C. 0.15MPa

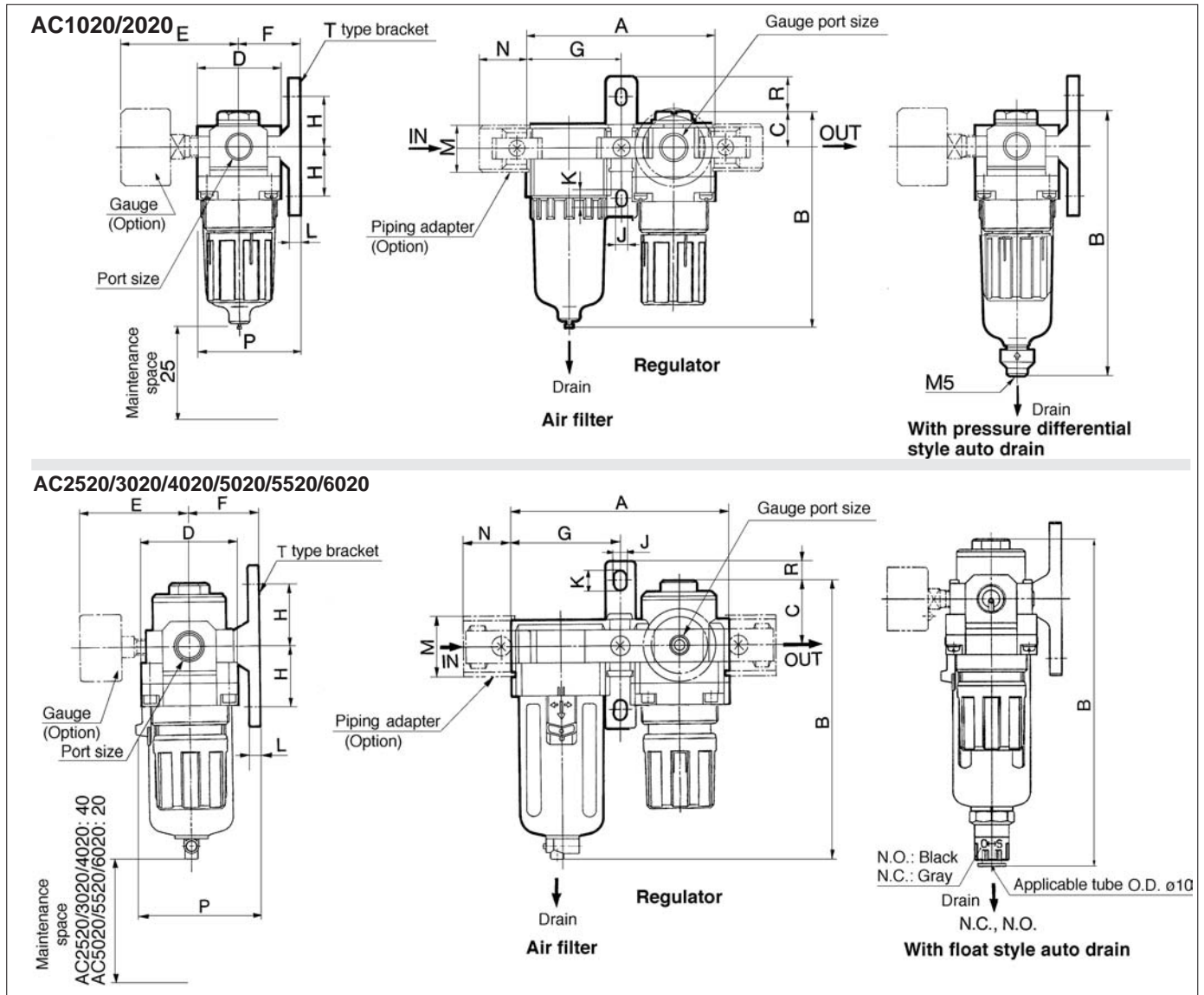
Note 6) □ in the part number indicate a connecting thread. Use nothing for Rc(PT), N for NPT and F for G(PF). G(PF) pressure gauge is unavailable.

Consult SMC for NPT pressure gauge.

*-01, -02, -03, -04, -06, -10 after part number indicate port size. (-01: 1/8, -02: 1/4, -03: 3/8, -04: 1/2, -06: 3/4, -10: 1)

AC1020 to 6020

Dimensions



Model	Port size	A	B	C	D	E	Bracket mounting size						M	N	P	R	With auto drain	
							F	G	H	J	K	L					Float	Press. Diff.
																	B	B
AC1020	M5	58	70	11	25	26	25	29	20	4.5	7.5	5	17.5	16	38.5	16	—	90.5
AC2020	1/8, 1/4	90	103.5	17	40	56.8	30	45	24	5.5	8.5	5	22	23	50	16	—	126.5
AC2520	1/4, 3/8	117	140	25	53	60.8	41	58.5	35	7	11	7	34.2	26*	70.5	20	181	—
AC3020	1/4, 3/8	117	150	35	53	60.8	41	58.5	35	7	11	7	34.2	26*	70.5	10	191	—
AC4020	1/4, 3/8, 1/2	154	184.5	37.5	70	65.5	50	77	40	9	13	7	42.2	33*	88	12.5	225.5	—
AC4020-06	3/4	164	189.5	40.5	70	69.5	50	82	40	9	13	7	46.2	36	88	9.5	230.5	—
AC5020	3/4, 1	195	268	48	90	75.5	70	97.5	50	12	16	10	55.2	40	115	14.5	309.5	—
AC5520	1	200	282	48	95	75.5	70	102.5	50	12	16	10	55.2	40	117.5	14.5	323.5	—
AC6020	1	205	282	48	95	78	70	102.5	50	12	16	10	55.2	40	117.5	14.5	323.5	—

Option**

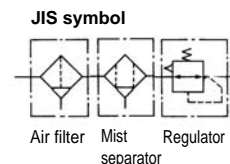
Model	Barb fitting	With drain guide	Metal bowl	Metal bowl with level gauge
	B	B	B	B
AC1020	—	—	70	—
AC2020	—	—	103.5	—
AC2520	148.5	146	153	173
AC3020	158.5	156	163	183
AC4020	193	190.5	197.5	217.5
AC4020-06	198	195.5	202.5	222.5
AC5020	276.5	274	281	301
AC5520	290.5	288	295	315
AC6020	290.5	288	295	315

*For piping adapter AC2520, 3020, port size 1/2: 40mm
For AC4020, port size 3/4: 50mm

**For options (with barb fitting, with drain guide, metal bowl, with level gauge), body length (B dimension) is different.

- AC
- AV
- AU
- AF
- AR
- IR
- VEX
- SRP
- AW
- AMR
- AWM
- AWD
- ITV
- VBA
- G
- AL

Air Combination Air Filter + Mist Separator + Regulator AC2030 to 4030



Standard Specifications

Model		AC2030	AC2530	AC3030	AC4030	AC4030-06
Combination equipment	Air filter	AF2000	AF3000	AF3000	AF4000	AF4000-06
	Mist separator	AFM2000	AFM3000	AFM3000	AFM4000	AFM4000-06
	Regulator	AR2000	AR2500	AR3000	AR4000	AR4000-06
Port size	1/8 1/4	1/4 3/8	1/4 3/8	1/4 3/8 1/2	3/4	
Gauge port size	1/8	1/8	1/8	1/4	1/4	
Fluid	Air					
Proof pressure	1.5MPa					
Max. operating pressure	1.0MPa					
Min. operating pressure	0.05MPa					
Set pressure range	0.05 to 0.85MPa					
Flow (ℓ/min (ANR)) ⁽¹⁾	200	450	450	1100	1100	
Ambient and fluid temperature	-5 to 60°C (Non-freezing)					
Filtration	AF: 5μm, AFM: 0.3μm(95% scavenging particle diameter)					
Density of oil mist on secondary side	Max. 1.0mgf/Nm ³ (≒0.8ppm) ⁽²⁾					
Bowl material	Polycarbonate					
Construction/Filter regulator	Relieving style					
Weight (kg)	0.71	1.03	1.17	2.21	2.46	
Accessory (Standard equipment)	Bowl guard	—	●	●	●	●
	Bracket	B210L	B310L	B310L	B410L	B510L

Note 1) Conditions: Supply pressure 0.7MPa, Set pressure 0.5MPa Rated flow changes depending on supply pressure
Note 2) With compressor discharging density of 30mgf/Nm³

Attachments/Accessories (Options)

Description	Model	Part No.				
		For AC2030	For AC2530	For AC3030	For AC4030	For AC4030-06
Piping adapter		E20-□01 □02 □03 □04	E30-□02 □03 □04	E30-□02 □03 □04	E40-□02 □03 □04 □06	E50-□06
Pressure switch with piping adapter		IS1000E-2□01 □02 Y 2□03	IS1000E-3□02 □03 Y 3□04	IS1000E-4□02 □03 Y 3□04	IS1000E-4□02 □03 Y 4□04 4□06	Y54-□03 □04
Pressure switch		IS1000M-2Y	IS1000M-3Y	IS1000M-3Y	IS1000M-4Y	IS1000M-5Y
T type interface ⁽³⁾		Y21-□01 □(02)	Y31-□(01) □02	Y31-□(01) □02	Y41-□(02) □03	Y51-□(02) □03
Residual pressure exhaust 3 port valve		VHS2000-□01 □02	VHS3000-□02 □03	VHS3000-□02 □03	VHS4000-□02 □03 □04	—
Cross interface		Y24-□01 □02	Y34-□01 □02	Y34-□03 □02	Y44-□02 □03	Y54-□03 □04
T type bracket		B210T	B310T	B310T	B410T	B510T
Interface		Y20	Y30	Y30	Y40	Y50
Pressure gauge	1.0MPa	G36-10-□01	G36-10-□01	G36-10-□01	G46-10-□02	G46-10-□02
	0.2MPa	G36-2-□01	G36-2-□01	G36-2-□01	G46-2-□02	G46-2-□02
	Auto drain float style ⁽⁴⁾	N.O.	AD43	AD43	AD44	AD44
	N.C.	—	AD53	AD53	AD54	AD54
Auto drain pressure differential style		AD62	—	—	—	—

Note 3) Standard specification of air combination: Port size without ().

Note 4) Minimum operating pressure: N.O. 0.1MPa, N.C. 0.15MPa

Note 5) □ in the part number indicate a connecting thread. Use nothing for Rc(PT),

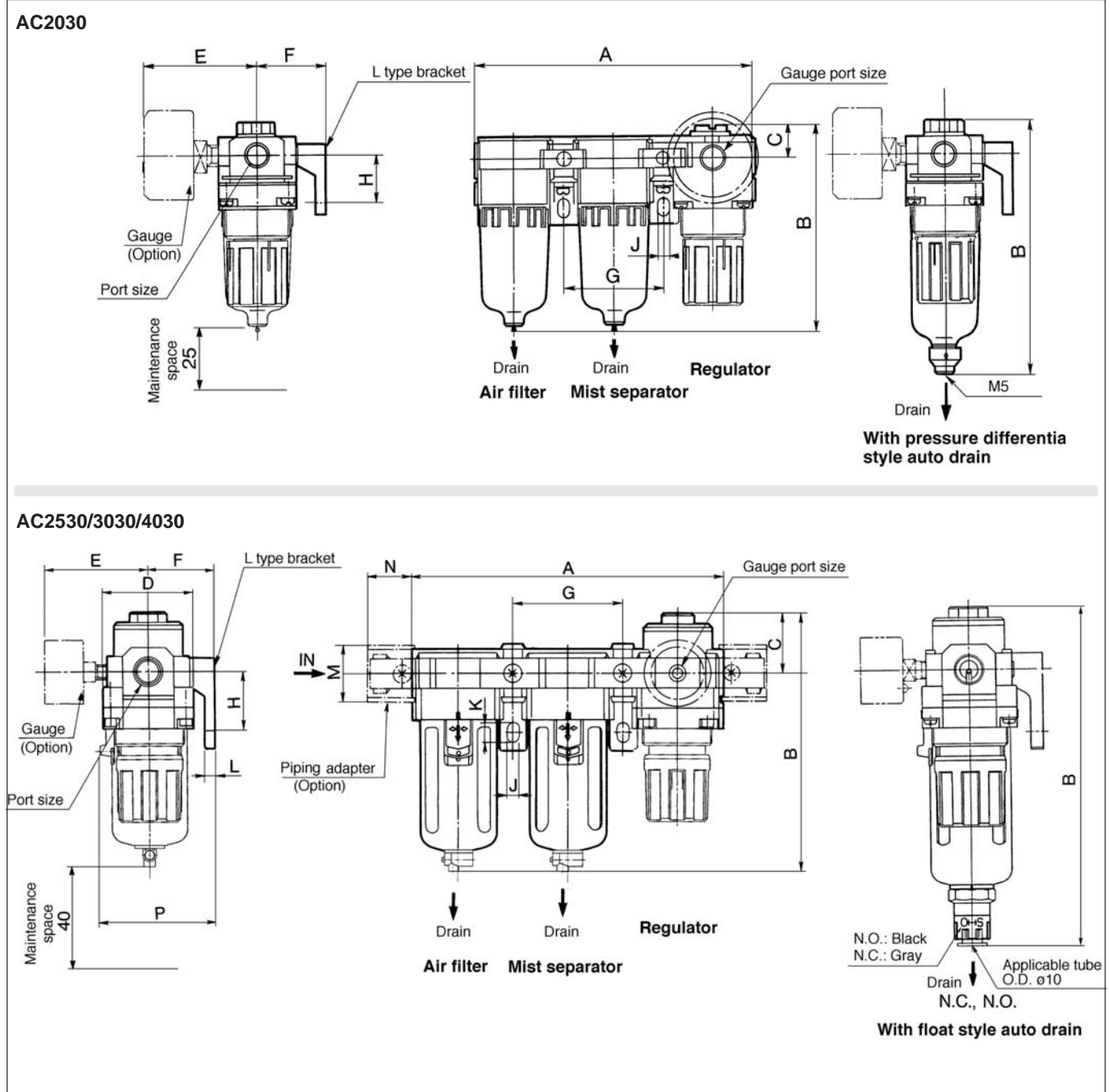
N for NPT and F for G(PF). G(PF) pressure gauge is unavailable.

Consult SMC for NPT gauges.

*-01, -02, -03, -04, -06, after part number indicate port size. (-01: 1/8, -02: 1/4, -03: 3/8, -04: 1/2, -06: 3/4)

AC2030 to 4030

Dimensions



- AC
- AV
- AU
- AF
- AR
- IR
- VEX
- SRP
- AW
- AMR
- AWM
- AWD
- ITV
- VBA
- G
- AL

Model	Port size	A	B	C	D	E	Bracket mounting size						M	N	P	With auto drain	
							F	G	H	J	K	L				Float	Press. Diff.
																B	B
AC2030	1/8, 1/4	140	103.5	17	40	56.8	30	50	24	5.5	8.5	5	22	23	50	—	126.5
AC2530	1/4, 3/8	181	140	25	53	60.8	41	64	35	7	11	7	34.2	26*	70.5	181	—
AC3030	1/4, 3/8	181	150	35	53	60.8	41	64	35	7	11	7	34.2	26*	70.5	191	—
AC4030	1/4, 3/8, 1/2	238	184.5	37.5	70	65.5	50	84	40	9	13	7	42.2	33*	88	225.5	—
AC4030-06	3/4	253	189.5	40.5	70	69.5	50	89	40	9	13	7	46.2	36	88	230.5	—

Option**

Model	Barb fitting	With drain guide	Metal bowl	Metal bowl with level gauge
	B	B	B	B
AC2030	—	—	103.5	—
AC2530	148.5	146	153	173
AC3030	158.5	156	163	183
AC4030	193	190.5	197.5	217.5
AC4030-06	198	195.5	202.5	222.5

*For piping adapter AC2530, 3030, port size 1/2: 40mm
For AC4030, port size 3/4: 50mm

**For options (with barb fitting, with drain guide, metal bowl, with level gauge), body length (B dimension) is different.

Air Combination Filter Regulator + Mist Separator

AC2040/3040/4040



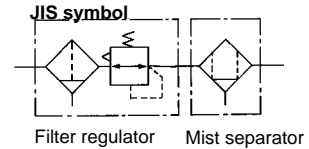
AC4040



AC3040



AC2040



Standard Specifications

Model		AC2040	AC3040	AC4040	AC4040-06
Combination equipment	Filter regulator	AW2000	AW3000	AW4000	AW4000-06
	Mist separator	AFM2000	AFM3000	AFM4000	AFM4000-06
Port size		1/8 1/4	1/4 3/8	1/4 3/8 1/2	3/4
Gauge port size		1/8	1/8	1/4	1/4
Fluid		Air			
Proof pressure		1.5MPa			
Max. operating pressure		1.0MPa			
Min. operating pressure		0.05MPa			
Set pressure range		0.05to0.85MPa			
Flow (l/min (ANR))(Port size) ⁽¹⁾		150	330	800	800
Ambient and fluid temperature		-5 to 60°(Non-freezing)			
Filtration		AW: 5μm, AFM: 0.3μm(95% scavenging particle diameter)			
Density of oil mist on secondary side		Max1.0mgf/Nm ³ (≒0.8ppm) ⁽²⁾			
Bowl material		Polycarbonate			
Construction/Filter regulator		Relieving style			
Weight (kg)		0.63	0.97	1.91	1.99
Accessory (Standard equipment)	Bowl guard	—	●	●	●
	Bracket ⁽³⁾	B210T	B310T	B410T	B510T



Note 1) Conditions: Supply pressure 0.7MPa, Set pressure 0.5MPa Rated flow changes depending on supply pressure.

Note 2) With compressor discharging density of 30mgf/Nm³

Note 3) L bracket for a set of 3 pieces or more.

Attachments/Accessories (Options)

Description	Model	Part No.			
		For AC2040	For AC3040	For AC4040	For AC4040-06
Piping adapter		E20-□01 □02 □03	E30-□02 □03 □04	E40-□02 □03 □04 □06	E50-□06
Pressure switch with piping adapter		IS1000E-2□01 2□02 Y 2□03	IS1000E-3□02 □03 Y 3□04	IS1000E-4□02 □03 Y 4□04 4□06	—
Residual pressure exhaust 3 port valve		VHS2000-□01 □02	VHS3000-□02 □03	VHS4000-□02 □03 □04	—
Cross interface		Y24-□01 □02	Y34-□01 □02	Y44-□02 □03	Y54-□03 □04
Interface		Y20	Y30	Y40	Y50
Pressure gauge	1.0MPa	G36-10-□01	G36-10-□01	G46-10-□02	G46-10-□02
	0.2MPa	G36-2-□01	G36-2-□01	G46-2-□02	G36-2-□02
Auto drain float style ⁽⁴⁾	N.O.	—	AD43	AD44	AD44
	N.C.	—	AD53	AD54	AD54
Auto drain pressure differential style		AD62	—	—	—



Note 4) Minimum operating pressure: N.O. 0.1MPa, N.C. 0.15MPa

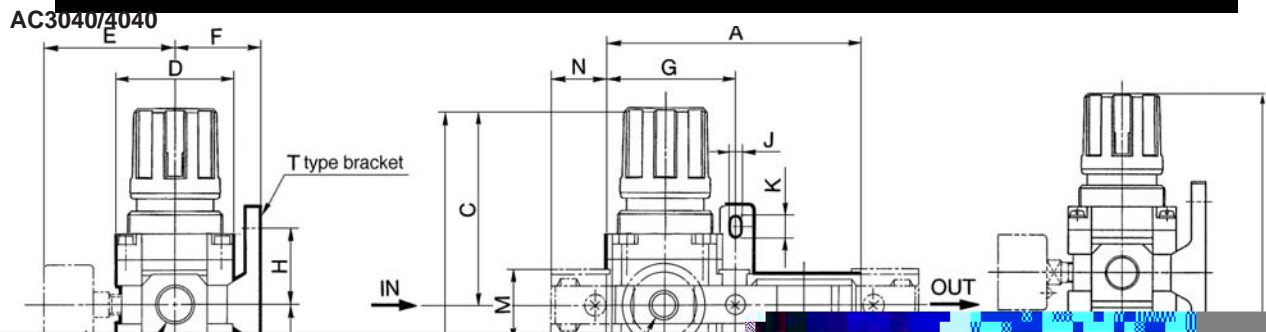
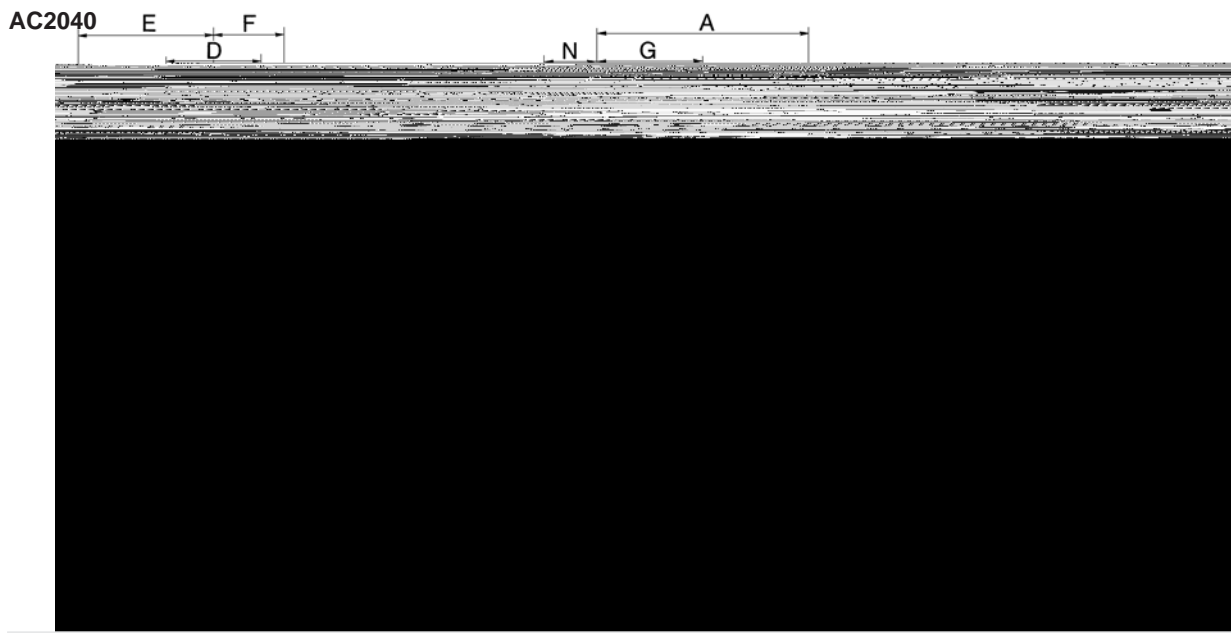
Note 5) □ in the part number indicate a connecting thread. Use nothing for Rc(PT), N for NPT and F for G(PF). G(PF) pressure gauge is unavailable.

Consult SMC for NPT pressure gauges.

*-01, -02, -04, -06 after part number indicate port size. (-01: 1/8, -02: 1/4, -03: 3/8, -04: 1/2, -06: 3/4)

AC2040/3040/4040

Dimensions



- AC
- AV
- AU
- AF
- AR
- IR
- VEX
- SRP
- AW
- AMR
- AWM
- AWD
- ITV
- VBA
- G
- AL

Model	Port size	A	B	C	D	E	Bracket mounting size						M	N	P	With auto drain	
							F	G	H	J	K	L				Float	Press. Diff.
AC2040	1/8, 1/4	90	164.5	78	40	56.8	30	45	24	5.5	8.5	5	22	23	50	—	187.5
AC3040	1/4, 3/8	117	207.5	92.5	53	60.8	41	58.5	35	7	11	7	34.2	26*	70.5	248.5	—
AC4040	1/4, 3/8, 1/2	154	259	112	70	70.5	50	77	40	9	13	7	42.2	33*	88	300	—
AC4040-06	3/4	164	263	114	70	70.5	50	82	40	9	13	7	46.2	36	88	304	—

Option**

Model	Barb fitting	With drain guide	Metal bowl	Metal bowl with level gauge
	B	B	B	B
AC2040	—	—	164.5	—
AC3040	216	213.5	220.5	240.5
AC4040	267.5	265	272	292
AC4040-06	272	269.5	276.5	296.5

*For piping adapter AC3040, port size 1/2: 40mm
For AC4040, port size 3/4: 5mm

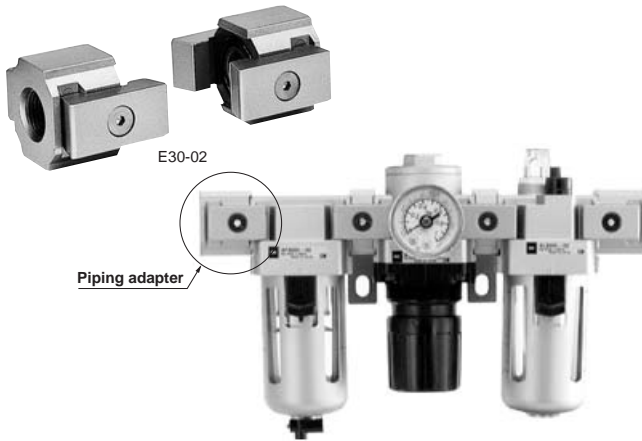
**For options (with barb fitting, with drain guide, metal bowl, with level gauge), body length (B dimension) is different.

Attachments

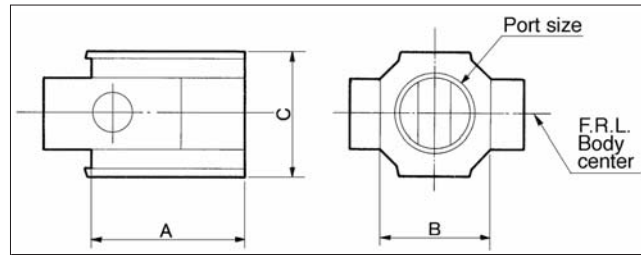
Piping Adapter

M5, 1/8, 1/4, 3/8, 1/2, 3/4, 1

Easy maintenance. Makes it possible to attach and detach equipment without removing piping.



- * To order piping adapter with bracket, the parts number as shown below.
(Example) With L type bracket: E□□L-□
With T type bracket: E□□T-□
- ** One with AC installed is special product.



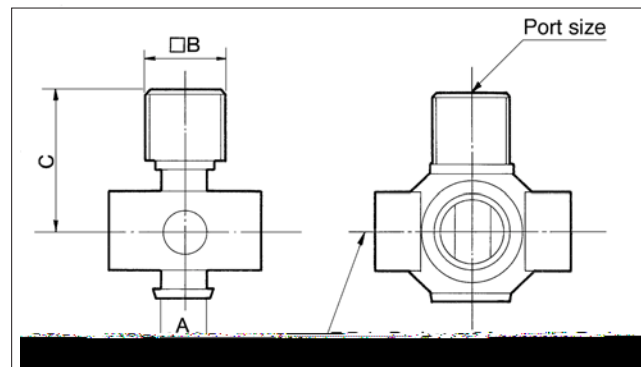
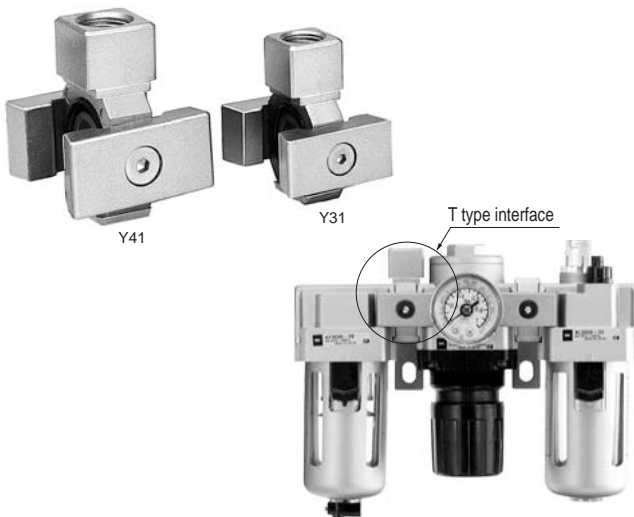
Model	Port size	A	B	C	Applicable model
E10-M5	M5	16	14	17.5	AC10□□, AW1000 AF1000, AR1000, AL1000
E20-□□01	1/8	23	22	22	AC20□□
E20-□□02	1/4				AF2000, AR2000, AW2000
E20-□□03	3/8				AL2000, AFM2000, AFD2000
E30-□□02	1/4	26	29	34.2	AC25□□, AC30□□
E30-□□03	3/8				AF3000, AR3000, AW3000
E30-□□04	1/2				AL3000, AFM3000, AFD3000
E40-□□02	1/4	33	35	42.2	AC40□□
E40-□□03	3/8				AF4000, AR4000, AW4000
E40-□□04	1/2				AL4000, AFM4000, AFD4000
E40-□□06	3/4	50	35	42.2	
E50-□□06	3/4	36	44	46.2	AC40□□0-06 AF4000-06, AR4000-06, AW4000-06 AL4000-06, AFM4000-06, AFD4000-06
E60-□□06	3/4	40	54	55.2	AC5000, AC5500, AC6000
E60-□□10	1				AC5020, AC5520, AC6020 AF5000, AR5000, AL5000 AF6000, AR6000, AL6000

Note 1) □ in part number indicates thread type. Use nothing for Rc(PT), N for NPT and F for G(PF).

T Type Interface: (T)

M5, 1/8, 1/4, 3/8, 1/2

Makes it easy to diverge air out with T type interface.



Model	Port size	A	□B	C	Applicable model
Y11-M5	M5	8	8	12	AC1000, AC1020
Y21-□□01	1/8	10	19	29	AC2000, AC2020, AR2030
Y21-□□02	1/4				
Y31-□□01	1/8	11	19	33	AC2500, AC2520, AC2530
Y31-□□02	1/4				AC3000, AC3020, AC3030
Y41-□□02	1/4	14	24	39	AC4000, AC4020, AC4030
Y41-□□03	3/8				
Y51-□□02	1/4	14	24	41	AC4000-06, AC4020-06
Y51-□□03	3/8				AC4030-06
Y61-□□03	3/8	15	30	50.5	AC5000, AC5500, AC6000
Y61-□□04	1/2				AC5020, AC5520, AC6020

Caution on Assembling

- T type interface cannot be mounted at IN/OUT side of AW or upward handle of AR.
- When T type interface is used at IN side of lubricator, oil may have entered. Use check valve series AKM.

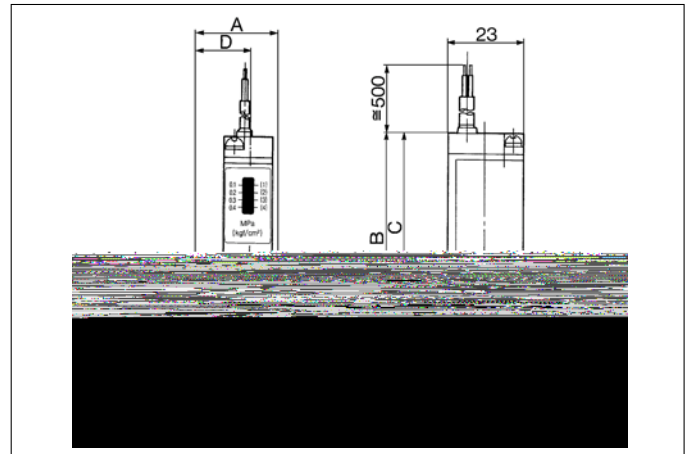
* When T type interface with bracket is required, order as example below.

(Example) With L bracket: Y□□1L-□
With T bracket: Y□□1T-□

** Refer to a table of attachment on P.1.1-3 for standard port size when applying to AC.

*** □ in part number indicates thread. Use nothing for Rc(PT), N for NPT and F for G(PF).

Pressure Switch with Piping Adapter



Specifications

Fluid	Air
Proof pressure	1.0MPa
Max. operating pressure	0.7MPa
Set pressure range (off)	0.1 to 0.6MPa
Differential	0.08MPa
Ambient and fluid temperature	5 to 60°C (No condensation)

Switch Characteristics

Contact point structure	1a
Max. contact point capacity	2V AC/2W DC
Voltage AC, DC	12V, 24V, 48V, 100V
Max. operating current	AC, 12V to 24V DC: 50mA AC, 48V DC: 40mA AC, 100V DC: 20mA

Model (1)	Port size	A	B	C	D	Applicable model
IS1000E-2□01Y	1/8	28	73	62	18.5	AC2000, AC2010, AC2020 AC2030, AC2040 AW2000
IS1000E-2□02Y	1/4					
IS1000E-2□03Y	3/8					
IS1000E-3□02Y	1/4	26	80	63	16.5	AC2500, AC2520, AC2530 AC3000, AC3010, AC3020 AC3030, AC3040 AW3000, AW3050
IS1000E-3□03Y	3/8					
IS1000E-3□04Y	1/2	40	80	63	17.5	AC4000, AC4010, AC4020 AC4030, AC4040 AW4000, AW4050 (2)
IS1000E-4□02Y	1/4	33	87	66	17.5	
IS1000E-4□03Y	3/8					
IS1000E-4□04Y	1/2	50	87	66	17.5	
IS1000E-4□06Y	3/4					

Note1) □ in the part number indicate a connecting thread. Use nothing for Rc(PT), N for NPT and F for G(PF).

Note2) Can NOT be mounted on "AC40□0-06" and "AW40□0-06".

*With retainer, O ring and bolt.

**Consult SMC when mounting the pressure switch on "AC40□0-06" and "AW40□0-06".

*For more information, refer to p.3.0-0.

How to Order

IS1000E- **3** **03** **YL** **Q**

Pressure switch with piping adapter

Body size

2	For AC2000
3	For AC2500, AC3000
4	For AC4000-02 to 04

Thread

—	Rc(PT)
N	NPT
F	G(PF)

Options

X201	Length of lead wire: 3m
X202	Setting pressure range: 0.1 to 0.6MPa
X215	Length of lead wire: 3m, (0.1 to 0.6MPa)

Attachment

—	Without attachment
Y	With attachment
YL	With attachment and L type bracket
YT	With attachment and T type bracket

Piping adapter port size

01	1/8
02	1/4
03	3/8
04	1/2
06	3/4

Attachments for IS1000E

Pressure switch applicable model No.	Y type standard	YL type with L type bracket	YT type with T type bracket
IS1000E-201 to 203	Y20E	Y20LE	Y20TE
IS1000E-302 to 304	Y30E	Y30LE	Y30TE
IS1000E-402 to 406	Y40E	Y40LE	Y40TE

AC

AV

AU

AF

AR

IR

VEX

SRP

AW

AMR

AWM

AWD

ITV

VBA

G

AL

Attachments

Check Valve: (K) Rc(PT) 1/8, 1/4, 3/8

Diverges on the secondary side of regulator. Makes it easier to mount check valve with a middle take out port which prevents reverse flow of lubricant oil from lubricator when releasing air.



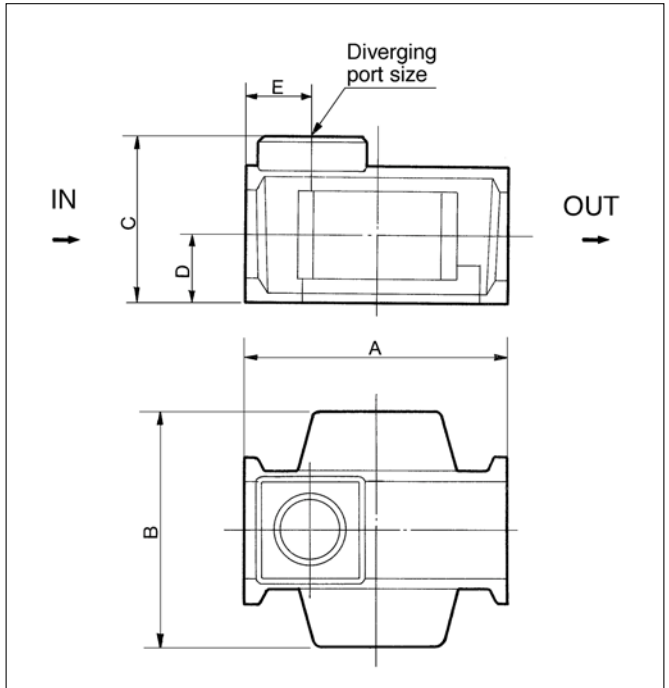
AKM3000

JIS symbol

Specifications

Model	Effective area (mm ²)
AKM2000	28
AKM3000	55
AKM4000	111

Note) Use this check valve when diverging on the supply side of AL. IN/OUT port is not made for thread piping.



Model	Diverging port size	A	B	C	D	E	Applicable model
AKM2000	1/8, 1/4	40	40	28	11	11	AC2000, AC2010
AKM3000	1/8, 1/4	53	48	34	14	13	AC2500, AC2510 AC3000, AC3010
AKM4000	1/4, 3/8	70	54	42	18	15	AC4000, AC4010 ⁽¹⁾

Note 1) Not applicable to AC40□0-06.

*Refer to the attachment list on p.1.1-3 for standard diverging port size when applying to AC.

How to Order

E **AKM** **30** **00** - **F** **01**

Check valve

Body size

20	1/8
30	3/8
40	1/2

Thread

—	Rc(PT)
N	NPT
F	G(PF)

Diverging port size

01	1/8
02	1/4
03	3/8

Ordering source area code

-	Japan, Asia Australia
E	Europe
N	North America

Caution on Assembling

Pressure switch and T type interface can not be mounted on the IN side.

Piping adapter

Model
E10-M5
E20-01 to 03
E30-02 to 04
E40-02 to 06
E50-06
E60-06.10

Pressure switch with piping adapter

Model
IS1000E-201 to 203
IS1000E-302 to 304
IS1000E-402 to 406

Pressure Switch: (S)

Compact pressure switch can be mounted easily.
Makes it easier to detect pressure in lines.



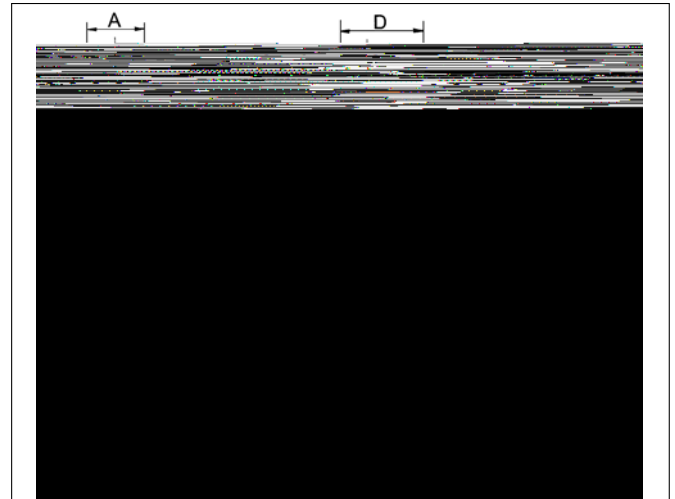
Specifications

Fluid	Air
Proof pressure	1.0MPa
Max. operating pressure	0.7MPa
Set pressure range (off)	0.1 to 0.6MPa
Differential	0.08MPa
Ambient and fluid temperature	5 to 60°C(No condensation)

Switch Characteristics

Contact point structure	1a
Max. contact point capacity	2V AC/2W DC
Voltage AC, DC	12V, 24V, 48V, 100V
Max. operating current	AC, 12V to 24V DC: 50mA AC, 48V DC: 40mA AC, 100V DC: 20mA

*For more information, refer to SMC
Pressure switch catalog. (Catalog No.E824)



Model	A	B	C	D	E	F	Applicable model
IS1000M-2Y	15	73.5	62.6	23	28	10	AC2000, AC2020, AC2030
IS1000M-3Y	15	82	64.9	23	29	11	AC2500, AC2520, AC2530 AC3000, AC3020, AC3030
IS1000M-4Y	15	88.7	67.6	23	35	14	AC4000, AC4020, AC4030
IS1000M-5Y	15	91	68	23	44	14	AC4000-06, AC4020-06 AC4030-06
IS1000M-6Y	15	100	72.5	23	54	15	AC5000, AC5500, AC6000 AC5020, AC5520, AC6020

Caution on Assembling

Attachment for pressure switch can be installed at the IN/OUT side of AF, AR, AL, AFM and AFD. Mounting at the IN/OUT side of AW and upward handle of AR is not possible.

How to Order

IS1000M - 4 - YT - Q

Pressure switch

Body size

2	For AC2000
3	For AC2500, AC3000
4	For AC4000-02 to 04
5	For AC4000-06
6	For AC5000, AC6000

Options

X201	Length of lead wire: 3m
X202	Set pressure range: 0.1 to 0.6MPa
X215	Length of lead wire: 3m,(0.1 to 0.6MPa)

Attachment

—	Without attachment
Y	With attachment
YL	With attachment and L type bracket
YT	With attachment and T type bracket

Attachments for IS1000M

Pressure switch applicable model No.	Y type standard	YL type with L type bracket	YT type with T type bracket
IS1000M-2	Y20M	Y20LM	Y20TM
IS1000M-3	Y30M	Y30LM	Y30TM
IS1000M-4	Y40M	Y40LM	Y40TM
IS1000M-5	Y50M	Y50LM	Y50TM
IS1000M-6	Y60M	Y60LM	Y60TM

AC

AV

AU

AF

AR

IR

VEX

SRP

AW

AMR

AWM

AWD

ITV

VBA

G

AL

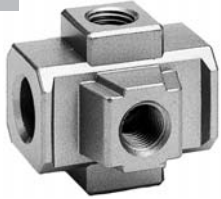
Attachments

Cross Interface

M5, 1/8, 1/4, 3/8, 1/2

Make it possible to diverge piping in all directions.

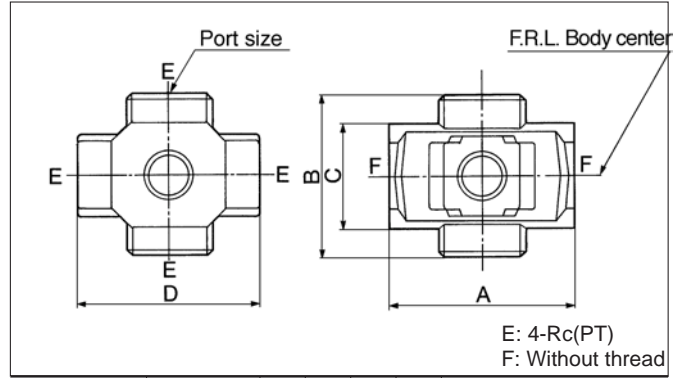
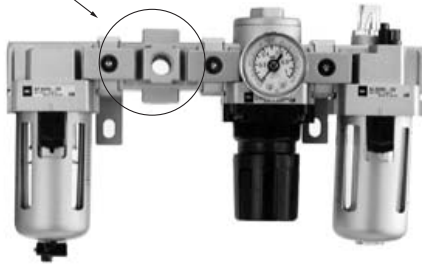
Note) IN/OUT port is not machined for thread piping.



Cross interface

Model
Y14-M5
Y24-01, 02
Y34-01, 02
Y44-02, 03
Y54-03, 04

Cross interface



Model	Port size	A	B	C	D	Applicable model
Y14-M5	M5	23	16	14	25	AC1000, AC1010, AC1020
Y24-□01	1/8	40	40	22	40	AC2000, AC2010, AC2020 AC2030, AC2040
Y24-□02	1/4	49	43	28	48	AC2500, AC2520, AC2530 AC3000, AC3010, AC3020 AC3030, AC3040
Y34-□01	1/8	60	48	36	54	AC4000, AC4010, AC4020 AC4030, AC4040
Y34-□02	1/4	72	62	40	62	AC4000-06, AC4010-06 AC4020-06, AC4030-06 AC4040-06
Y44-□02	1/4					
Y44-□03	3/8					
Y54-□03	3/8					
Y54-□04	1/2					

Note 1) □ in parts number indicates thread. Use nothing for Rc(PT), N for NPT and F for G(PF).

Residual Pressure Exhaust 3 Port Valve: (V)

Residual pressure exhaust 3 port valve makes it easier to exhaust pressure.

Residual pressure exhaust 3 port valve



Specifications

Model	Port size	Effective area (mm ²)	
		IN to OUT	OUT to EXH
VHS2000	1/8	10	11
	1/4	14	16
VHS3000	1/4	16	14
	3/8	31	29
VHS4000	1/4	22	15
	3/8	38	29
	1/2	57	51

Note) Use air filter on the IN side to protect operation.

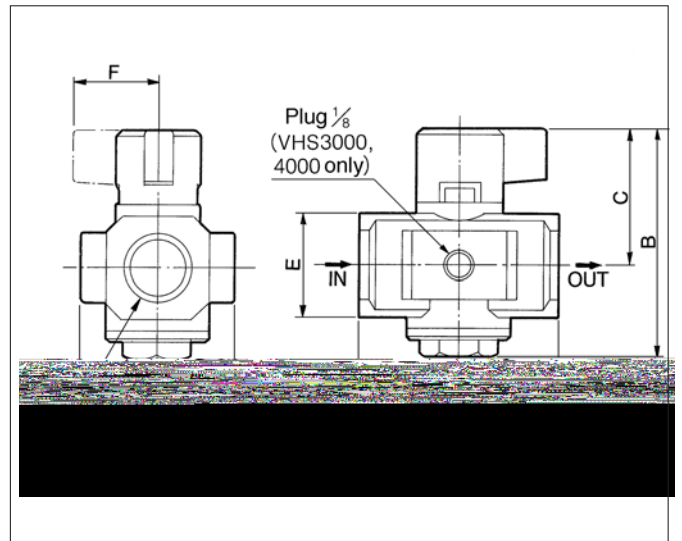
How to Order

E	VHS	30	00	-	F	02
Residual pressure exhaust 3 port valve		Body size		Ordering source area code	Port size	
		20 1/8		- Japan, Asia Australia	01 1/8	
		30 3/8		E Europe	02 1/4	
		40 1/2		N North America	03 3/8	
					04 1/2	
				Thread		
				- Rc(PT)		
				N NPT		
				F G(PF)		

1.1-21

Caution on Assembling

- When mounting directly onto the IN side of lubricator, use check valve series AKM between the interface and lubricator.
- Installation to AC will be available as a special product. Please consult SMC.



Model	IN/OUT Port size	EXH Port size	A	B	C	D	E	F
VHS2000	1/8, 1/4	1/8	40	56	36	28	22	25
VHS3000	1/4, 3/8	1/4	53	74	45	48	28	30
VHS4000 ⁽¹⁾	1/4, 3/8, 1/2	3/8	70	80	48	54	36	30

Note 1) NOT applicable to AC40□0-06.

Caution on Assembling

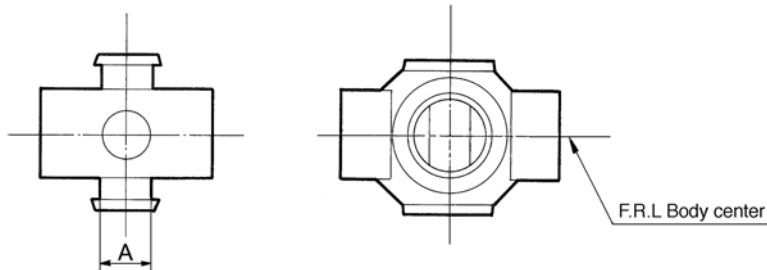
Pressure switch and T type interface can not be mounted to OUT side of residual pressure exhaust 3 port valve.

Interface/Bracket Accessories

Interface

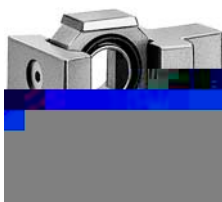


Y30



Model	A	Applicable model
Y10	8	AC1000 to AC1020
Y20	10	AC2000 to AC2040
Y30	11	AC2500 to AC2540 AC3000 to AC3040
Y40	14	AC4000 to AC4040
Y50	14	AC4000-06 to AC4040-06
Y60	15	AC5000, AC5500, AC6000 AC5020, AC5520, AC6020

L Bracket/ Interface with L Bracket

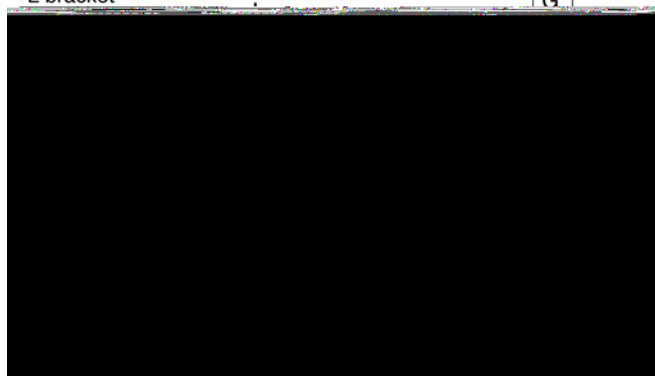


Interface with L bracket



L bracket

Interface with
L bracket



L bracket	Interface with L bracket	A	B	C	D	E	F	G	R	L	Applicable model
B110L	Y10L	20	12	4.5	3	25	5	8	2.25	27	AC1000 to AC1020
B210L	Y20L	24	15	5.5	3	30	6	10	2.75	33	AC2000 to AC2040
B310L	Y30L	35	16	7	4	41	7	11	3.5	45	AC2500 to AC2540 AC3000 to AC3040
B410L	Y40L	40	22	9	4	50	7	14	4.5	50	AC4000 to AC4040
B510L	Y50L	40	22	9	4	50	7	14	4.5	60	AC4000-06 to AC4040-06
B610L	Y60L	50	24	12	4	70	10	15	6	62.5	AC5000, AC5500, AC6000 AC5020, AC5520, AC6020

AC

AV

AU

AF

AR

IR

VEX

SRP

AW

AMR

AWM

AWD

ITV

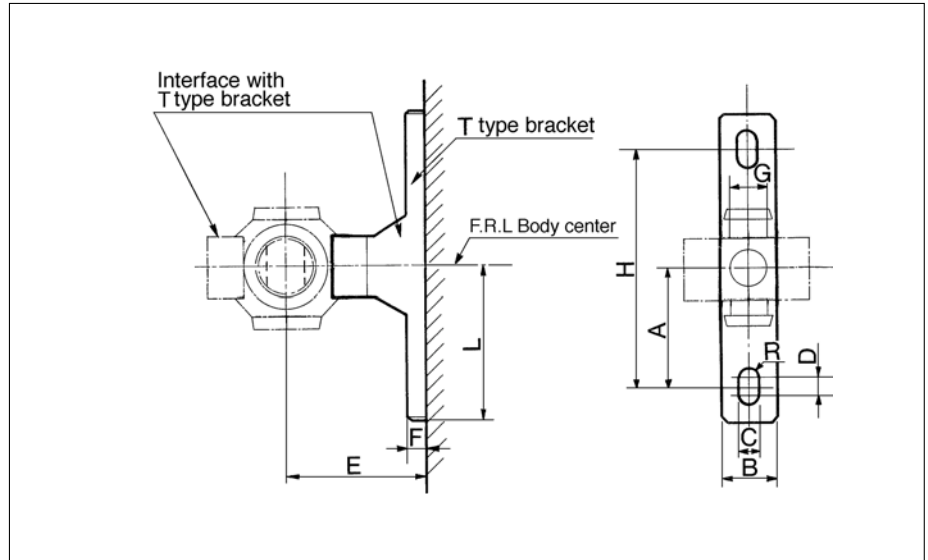
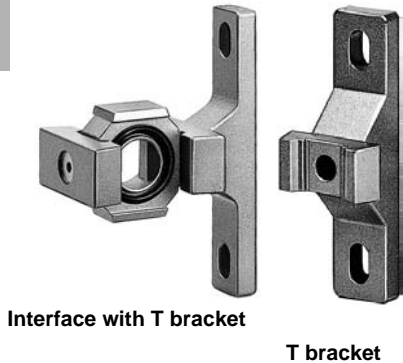
VBA

G

AL

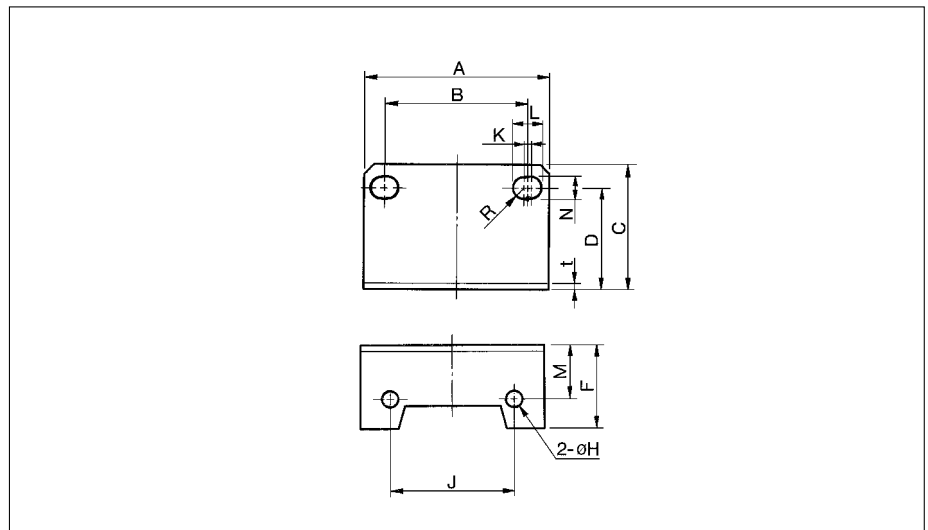
Accessories

T Bracket/ Interface with T Bracket



T bracket	Interface with T bracket	A	B	C	D	E	F	G	H	R	L	Applicable model
B110T	Y10T	20	12	4.5	3	25	5	8	40	2.25	27	AC1000 to AC1020
B210T	Y20T	24	15	5.5	3	30	5	10	48	2.75	33	AC2000 to AC2040
B310T	Y30T	35	16	7	4	41	7	11	70	3.5	45	AC2500 to AC2540 AC3000 to AC3040
B410T	Y40T	40	22	9	4	50	7	14	80	4.5	50	AC4000 to 4040
B510T	Y50T	40	22	9	4	50	7	14	80	4.5	50	AC4000-06 to AC4040-06
B610T	Y60T	50	24	12	4	70	10	15	100	6	62.5	AC5000, AC5500, AC6000 AC5020, AC5520, AC6020

Bracket For AF/AL For AFM/AFD For AR



Model	A	B	C	D	F	H	J	K	L	M	N	R	t	Mounting thread	Applicable model
B240A	40	27	33	27	18	4.5	26	3	8.4	14	5.4	2.7	2.3	M4 X 8 ℓ (Round head Phillips screw)	AF2000, AL2000 AFM2000, AFD2000
B340A	53	40	39	32	22.5	4.5	35	1.5	8	19	6.5	3.25	2.3	M4 X 8 ℓ (Hexagon socket head cap screw)	AF3000, AL3000 AFM3000, AFD3000
B440A	70	54	47	38	31.5	5.5	47	2	10.5	20	8.5	4.25	2.3	M5 X 10 ℓ (Hexagon socket head cap screw)	AF4000, AL4000 AFM4000, AFD4000
B540A	70	54	47	38	27.5	5.5	47	2	10.5	20	8.5	4.25	2.3	M5 X 10 ℓ (Hexagon socket head cap screw)	AF4000-06, AL4000-06 AFM4000-06, AFD4000-06
B640A	90	66	64	52	43	6.5	65	2	13	30	11	5.5	3.2	M6 X 10 ℓ (Hexagon socket head cap screw)	AF5000, 6000 AR5000, 6000, 5060, 6060 AL5000, 6000

*With 2 mounting screws.

Bracket/For AR/AW

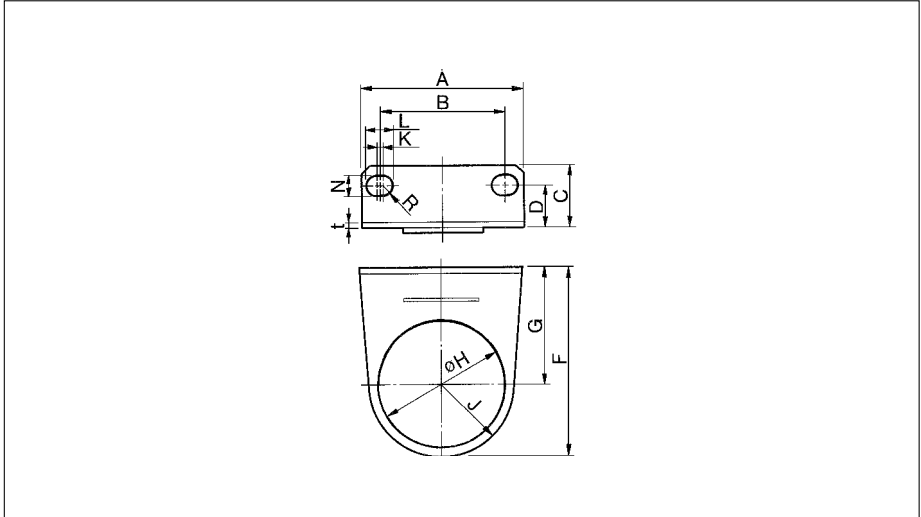


B220



Bracket/For AR, AW

Model
B120
B220
B320
B420



Model	A	B	C	D	F	G	øH	J	K	L	N	R	t	Applicable model
B120	40	28	17	11	37.3	25	20.5	12.3	2	6.5	4.5	2.25	2	AR1000, AW1000
B220	55	34	25	19	50	30	33.5	20	10	15.4	5.4	2.7	2.3	AR2000, 2060 AR2500, 2550, 2560 AW2000, AWM2000 AWD2000
B320	53	40	21	13.5	66	41	42.5	25	1.5	8	6.5	3.25	2.3	AR3000, 3050, 3060 ARP3000, AW3000, 3050 AWM3000, AWD3000
B420	70	54	27	18	80	50	52.5	30	2	10.5	8.5	4.25	2.3	AR4000, 4000-06, 4050, 4050-06, 4060, 4060-6 AW4000, 4000-06 AW4050, 4050-06 AWM4000, AWD4000

- AC
- AV
- AU
- AF
- AR
- IR
- VEX
- SRP
- AW
- AMR
- AWM
- AWD
- ITV
- VBA
- G
- AL