

# One-touch Fittings Manifold

## Series *KM*

Compact piping.  
Many varieties (40 types)  
available.

One-touch fittings give  
the most efficient  
operation.



### Model

Model	Porting		Number of Port A	Port B size	Port A size		
	Port A	Port B			ø4	ø6	ø8
KM11	One-touch fitting	One-touch fitting	6, 10	ø8	●		
				ø10		●	
				ø12			●
KM12	One-touch fitting	Rc(PT)female thread	6, 10	Rc(PT) 1/4	●	●	
				Rc(PT) 3/8			●
KM13	One-touch fitting	One-touch fitting	3	ø6	●		
				ø8	●	●	
				ø10		●	●
KM14	One-touch fitting	One-touch fitting R(PT)male thread	3	ø6, R(PT) 1/8	●		
				ø6, R(PT) 1/4	●		
				ø6, R(PT) 3/8	●		
				ø8, R(PT) 1/8	●	●	
				ø8, R(PT) 1/4	●	●	
				ø8, R(PT) 3/8	●	●	
				ø10, R(PT) 1/4		●	●
				ø10, R(PT) 3/8		●	●
KM15	One-touch fitting	One-touch fitting Rod	3	ø6	●		
				ø8	●	●	
				ø10		●	●
KM16	One-touch fitting	One-touch fitting	3	ø4	●		
				ø6	●	●	

### Applicable Tubing

Tube material	Nylon, Soft nylon, Polyurethane
Tube O.D.	ø4, ø6, ø8, ø10, ø12

### Specifications

Model	KM11	KM12	KM13	KM14	KM15	KM16
Fluid	Air, Water <sup>(1)</sup>					
Max. operating pressure	1.0MPa					
Proof pressure	3.0MPa					
Ambient and fluid temperature	-5 to 60°C, Water: 0 to 40°C (No freezing)					
Thread	—	JIS B0203 (Taper thread)	—	JIS B0203 (Taper thread)	—	—
Accessories	None	Hexagon socket head blank plug with sealant: 1 pc.	None	None	None	None



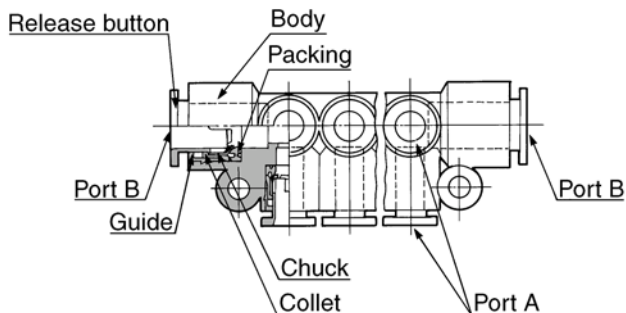
Note1) Applicable for general industry water. Consult SMC if using for other kinds of fluid.  
Surge pressure must be under the max. operating pressure.

### Component Materials

Model	KM11	KM12	KM13	KM14	KM15	KM16
Body	PBT					
Stud	—	C3604BD	—	C3604BD	C3604BD-PBT	—
Chuck	Stainless steel (SUS304)					
Guide	C3604BD, Stainless steel (SUS304)					
Collet, Release button	Polyacetal (POM)					
Packing, O ring	NBR					

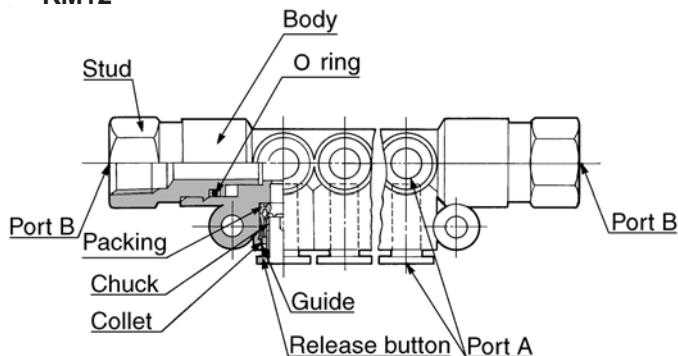
## Construction

**KM11**



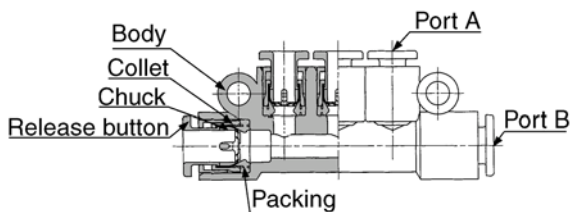
Port A: One-touch fitting  
Port B: One-touch fitting

**KM12**



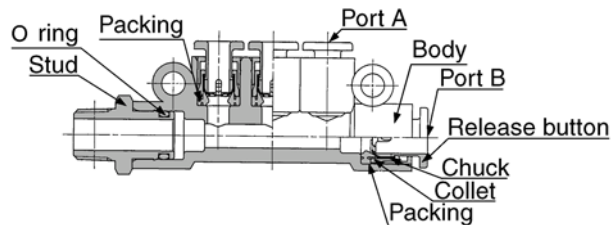
Port A: One-touch fitting  
Port B: Rc(PT) female thread

**KM13**



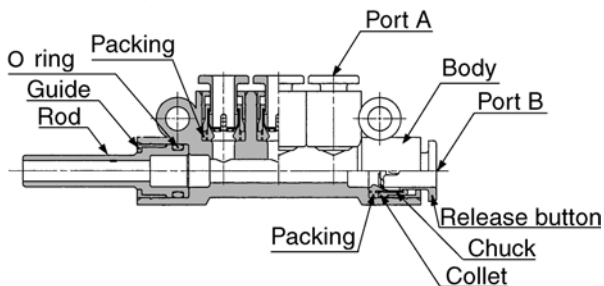
Port A: One-touch fitting  
Port B: One-touch fitting

**KM14**



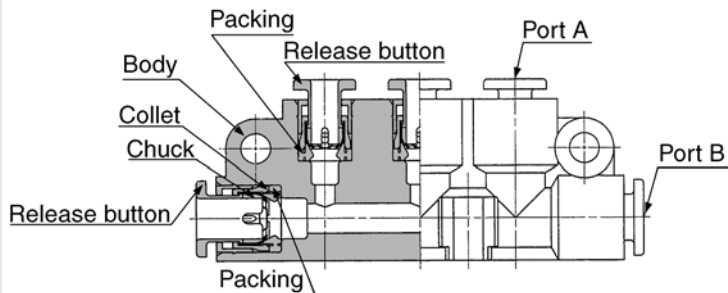
Port A: One-touch fitting  
Port B: One-touch fitting, R(PT) male thread

**KM15**



Port A: One-touch fitting  
Port B: One-touch fitting stud

**KM16**



Port A: One-touch fitting  
Port B: One-touch fitting

K

M

H

D

MS

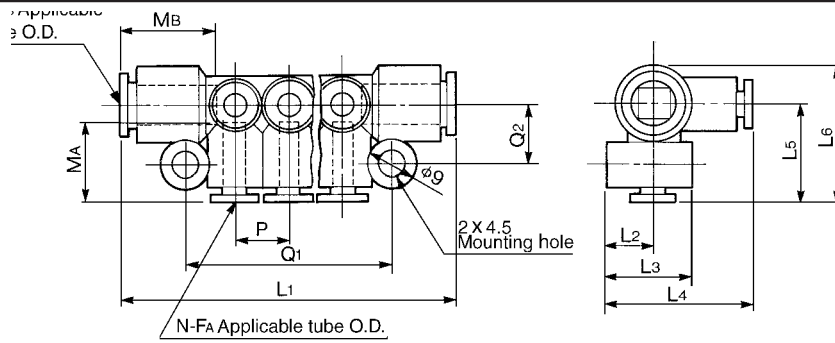
T

LQ

Clean Room

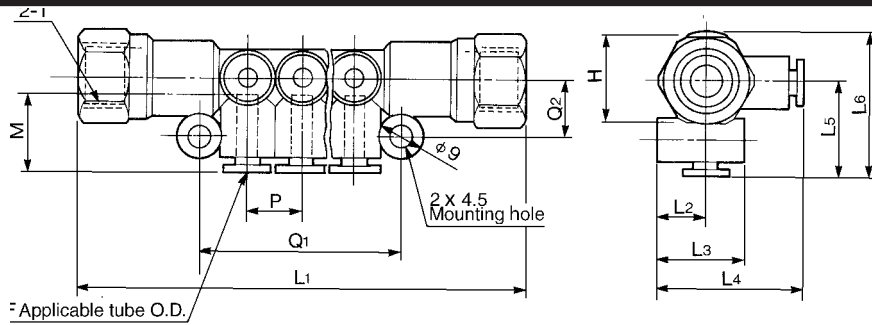
# Series KM

## KM11



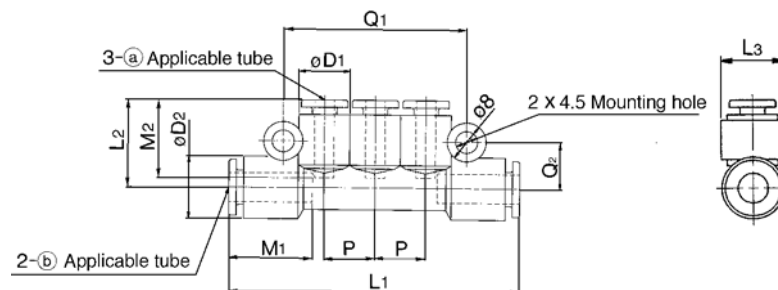
Tube O.D. (mm)		Part No.	N	L1	L2	L3	L4	L5	L6	P	Q1	Q2	MA	MB	Port B min. port size	Weight (g)
FA	FB															
4	8	KM11-04-08-6	6	65	10	18	29.5	19.5	27	10.6	40	12	16	18.5	6	19
		KM11-04-08-10	10	86												26
6	10	KM11-06-10-6	6	76	10	19.5	31.5	21.5	31	13	47	13.5	17	21	7.5	29
		KM11-06-10-10	10	102												39
8	12	KM11-08-12-6	6	85	11.5	22.5	35.5	24	34.5	15.5	55	14.7	18.5	22	9	41
		KM11-08-12-10	10	116												57

## KM12



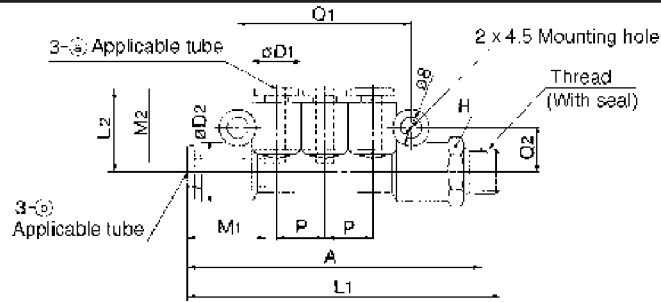
Tube O.D. F (mm)	Thread Rc(PT)	Part No.	N	H (Hex.)	L1	L2	L3	L4	L5	L6	P	Q1	Q2	M	Port B min. port size	Weight (g)
4	1/4															
		KM12-04-02-10	10	110	72											
6	1/4	KM12-06-02-6	6	17	99	10	19.5	31.5	21.5	31	13	47	13.5	17	7.5	81
		KM12-06-02-10	10	125	91											
8	3/8	KM12-08-03-6	6	19	108	11.5	22.5	35.5	24	34.5	15.5	55	14.7	18.5	9	97
		KM12-08-03-10	10	139	112											

## KM13



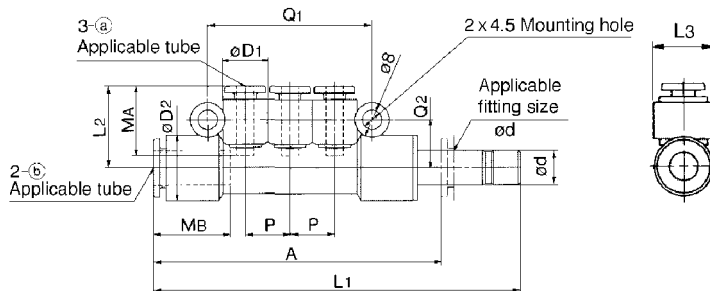
Tube O.D. (mm)		Part No.	øD1	øD2	L1	L2	L3	P	Q1	Q2	M1	M2	Port B min. port size	Weight (g)
a	b													
4	6	KM13-04-06-3	10.4	12.8	60	18	13	10.4	38.2	9.9	17	16	4.5	11
	8	KM13-04-08-3		15.2	63.5	19	15.5						11.1	18.5
6	8	KM13-06-08-3	12.8	15.2	70.5	20	15.5	12.8	45.4	11.1	18.5	17	6	16
	10	KM13-06-10-3		18.5	74.5	21	19						12.8	21
8	10	KM13-08-10-3	15.2	18.5	81.5	22.5	19	15.2	52.6	12.8	21	18.5	7.5	26

## KM14



Tube O.D. (mm)		Thread R(PT)	Part No.	H (Hex.)	øD1	øD2	L1	L2	L3	P	A	Q1	Q2	M1	M2	Port B min. port size	Weight (g)		
a	b																		
4	6	1/8	<b>KM14-04-06-01S-3</b>	13	10.4	12.8	68	18	13	10.4	64	38.2	9.9	17	16	4.5	18		
		1/4	<b>KM14-04-06-02S-3</b>	14													71.5	65.5	25
		3/8	<b>KM14-04-06-03S-3</b>	17													73.5	67.5	38
4	8	1/8	<b>KM14-04-08-01S-3</b>	17	10.4	15.2	73.5	19	15.5	10.4	69.5	38.2	11.1	18.5	16	6	30		
		1/4	<b>KM14-04-08-02S-3</b>														76.5	70.5	38
		3/8	<b>KM14-04-08-03S-3</b>														77.5	71	38
6	8	1/8	<b>KM14-06-08-01S-3</b>	17	12.8	15.2	80	20	15.5	12.8	76.5	45.4	11.1	18.5	17	6	31		
		1/4	<b>KM14-06-08-02S-3</b>														83	77	39
		3/8	<b>KM14-06-08-03S-3</b>														84	78	39
6	10	1/4	<b>KM14-06-10-02S-3</b>	19	12.8	18.5	87.5	21	19	12.8	81.5	45.4	12.8	21	17	7.5	43		
		3/8	<b>KM14-06-10-03S-3</b>														88.5	82	44
		1/2	<b>KM14-06-10-04S-3</b>														92	84	66
8	10	1/4	<b>KM14-08-10-02S-3</b>	19	15.2	18.5	94	22.5	19	15.2	88	52.6	12.8	21	18.5	7.5	47		
		3/8	<b>KM14-08-10-03S-3</b>														95	89	47
		1/2	<b>KM14-08-10-04S-3</b>														98.5	90.5	70

## KM15



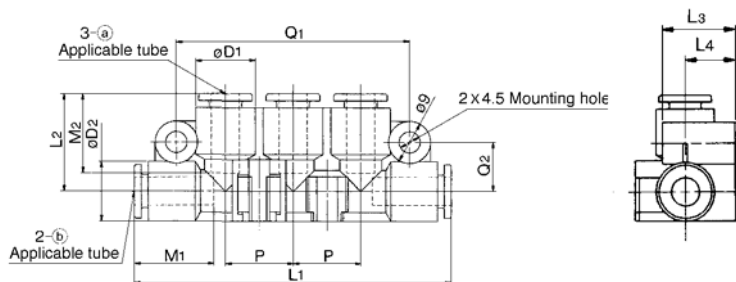
### Precautions for the use with One-touch fittings

#### ⚠ Caution

Refer to "Air Fittings & Tubing Precautions" for the details of installation/removal of One-touch fittings.

Tube O.D. (mm)		Fitting size ød	Part No.	øD1	øD2	L1	L2	L3	P	Q1	Q2	A	MA	MB	Port B min. port size	Weight (g)
a	b															
4	6	6	<b>KM15-04-06-3</b>	10.4	12.8	78.5	18	13	10.4	38.2	9.9	61.5	16	17	4.5	12
	8	8	<b>KM15-04-08-3</b>													15.2
6	8	8	<b>KM15-06-08-3</b>	12.8	15.2	92.5	20	15.5	12.8	45.4	11.1	74	17	18.5	6	25
	10	10	<b>KM15-06-10-3</b>													18.5
8	10	10	<b>KM15-08-10-3</b>	15.2	18.5	105	22.5	19	15.2	52.6	12.8	85	18.5	21	7.5	41

## KM16



Tube O.D. (mm)		Part No.	øD1	øD2	L1	L2	L3	L4	P	Q1	Q2	M1	M2	Port B min. port size	Weight (g)			
a	b																	
4	4	<b>KM16-04-04-3</b>	12.8	12.8	68	20.9	16	11	14.5	50	10.5	16	16	3	18			
4	6	<b>KM16-04-06-3</b>													17	16	4.5	16
6	6	<b>KM16-06-06-3</b>													17	17	4.5	15

K□

M□

H□

D□

MS

T□

LQ

Clean Room