



PIDG

TE Internal #: 2-36153-2

Rings & Spades, Ring Tongue, 22 – 16 AWG, .26 – 1.65 mm², 509 – 3260 CMA, #10, Stud Diameter 5 mm [.197 in], Tongue Thickness .79 mm [.031 in]

[View on TE.com >](#)

Terminals & Splices > Rings & Spades > PIDG RING TONGUE TERMINALS



Terminal & Splice Type: **Ring Tongue**

Wire Size: **509 – 3260 CMA**

Stud Size: **#10**

[All PIDG RING TONGUE TERMINALS \(422\)](#)

Features

Product Type Features

Shape Description	RING-041
Stud Size	#10
Barrel Type	Closed Barrel
Sealable	No
Insulated	Yes
Wire/Cable Type	Regular Wire
Support Style	Insulation Support

Configuration Features

Number of Holes	1
Terminal Angle	Straight

Electrical Characteristics

Voltage (Max)	300 V
---------------	-------

Body Features

Inspection Slot	No
Weight per Piece	.996 g
Plating Material	Copper, Tin

Contact Features

Military Part Class	Class II
---------------------	----------



Terminal & Splice Type	Ring Tongue
------------------------	-------------

Terminal Orientation	Offset
----------------------	--------

Mechanical Attachment

Wire Insulation Support	With
-------------------------	------

Dimensions

Wire Size	509 – 3260 CMA
-----------	----------------

Stud Diameter	5 mm [.197 in]
---------------	----------------

Tongue Thickness	.79 mm [.031 in]
------------------	------------------

Overall Length	21.44 mm [.844 in]
----------------	--------------------

Wire Insulation Diameter (Max)	3.18 mm [.125 in]
--------------------------------	-------------------

Wire Insulation Diameter	2.03 – 3.18 mm [.08 – .125 in]
--------------------------	--------------------------------

Usage Conditions

Operating Temperature Range	105 °C [221 °F]
-----------------------------	-----------------

Operation/Application

Heavy Duty	No
------------	----

Industry Standards

Government Qualified	Yes
----------------------	-----

Packaging Features

Packaging Quantity	5000
--------------------	------

Packaging Method	Tape Mounted
------------------	--------------

Product Compliance

[For compliance documentation, visit the product page on TE.com>](#)

EU RoHS Directive 2011/65/EU	Compliant
------------------------------	-----------

EU ELV Directive 2000/53/EC	Compliant
-----------------------------	-----------

China RoHS 2 Directive MIIT Order No 32, 2016	No Restricted Materials Above Threshold
---	---

EU REACH Regulation (EC) No. 1907/2006	Current ECHA Candidate List: JAN 2020 (205) Candidate List Declared Against: JAN 2020 (205) Does not contain REACH SVHC
--	---

Halogen Content	BFR/CFR/PVC Free, but Br/Cl >900 ppm in other sources.
-----------------	--

Solder Process Capability	Not applicable for solder process capability
---------------------------	--

Product Compliance Disclaimer

This information is provided based on reasonable inquiry of our suppliers and represents our current actual knowledge based on the information they provided. This information is subject to change. The part numbers that TE has identified as EU RoHS compliant have a maximum concentration of 0.1% by weight in homogenous materials for lead, hexavalent chromium, mercury, PBB, PBDE, DBP, BBP, DEHP, DIBP, and 0.01% for cadmium, or qualify for an exemption to these limits as defined in the Annexes of Directive 2011/65/EU (RoHS2). Finished electrical and electronic equipment products will be CE marked as required by Directive 2011/65/EU. Components may not be CE marked. Additionally, the part numbers that TE has identified as EU ELV compliant have a maximum concentration of 0.1% by weight in homogenous materials for lead, hexavalent chromium, and mercury, and 0.01% for cadmium, or qualify for an exemption to these limits as defined in the Annexes of Directive 2000/53/EC (ELV). Regarding the REACH Regulation, the information TE provides on SVHC in articles for this part number is based on the latest European Chemicals Agency (ECHA) 'Guidance on requirements for substances in articles' posted at this URL: <https://echa.europa.eu/guidance-documents/guidance-on-reach>

Compatible Parts



TE Model / Part # 58423-1
DIE, RBV IS9252



TE Model / Part # 58433-3
PRO CR ASSY, RBV IS9252



TE Model / Part # 59824-1
TETRA-CRIMP HT ASSY



TE Model / Part # 47386
DAHT PIDG 22-16 ASSY




TE Model / Part # 47806-2
DIE PIDG 69365 46110 22-16




TE Model / Part # 169404
CERTI-LOK DIE

Also in the Series | PIDG




Compression Connectors(17)



Crimp Terminal Housings(1)



Crimp Wire Pins, Tabs & Ferrules(41)



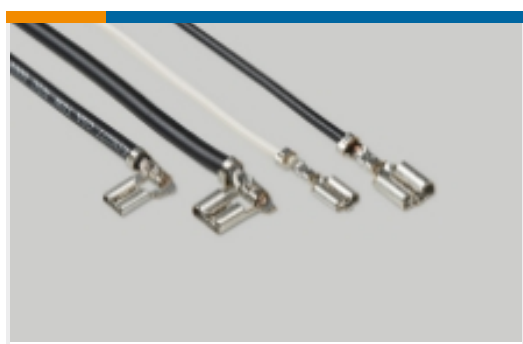
Knife Disconnects(11)



PCB Terminals(9)



Portable Crimp Tools(1)



Quick Disconnects(53)



Rings & Spades(862)



Special Purpose Terminals(1)



Splices(48)

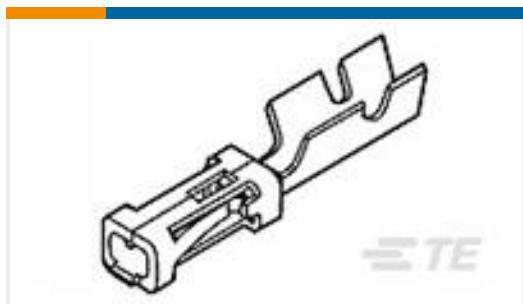
Customers Also Bought



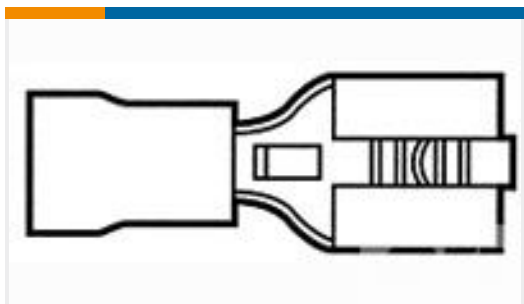
TE Model / Part #640907-2
RECEPT,PIDG FASTON 12-10 250



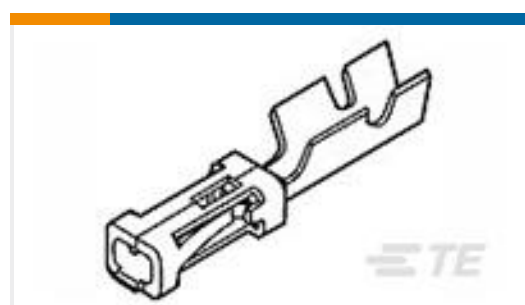
TE Model / Part #640917-2
RECEPT,PIDG FASTON 22-18 187



TE Model / Part #87309-9
MOD V RECP PLTD 30 AU



TE Model / Part #640905-2
RECEPT,PIDG FASTON 16-14 250



TE Model / Part #87809-1
MOD V RECP PLTD 30 AU



TE Model / Part #5-456135-7
CRIMPER, INSULATION "O"(.062")



TE Model / Part #1-456402-5
CRIMPER WIRE .055 F

Documents

Product Drawings

[PIDG R 22-16 COMM 22-18 MIL 10](#)

English

CAD Files

[3D PDF](#)

[3D](#)

[Customer View Model](#)

[ENG_CVM_CVM_2-36153-2_AF.2d_dxf.zip](#)



English

Customer View Model

[ENG_CVM_CVM_2-36153-2_AF.3d_igs.zip](#)

English

Customer View Model

[ENG_CVM_CVM_2-36153-2_AF.3d_stp.zip](#)

English

By downloading the CAD file I accept and agree to the [Terms and Conditions](#) of use.

Product Specifications

[Application Specification](#)

English

Product Environmental Compliance

[MD_2-36153-2_11052018912_dmtec](#)

English

[MD_2-36153-2_11052018912_dmtec](#)

English

Agency Approvals

[UL Report](#)

English