

YO8/YL8 - YO8/YL8 SUPER

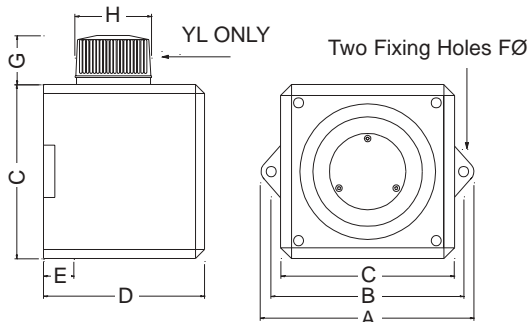


Industrial Audible and Visual Alarm

MAIN FEATURES

- High sound output
- 2 stage alarm
- 3 wire polarised DC and AC, or 2 wire bi-polar for DC only
- Independently selectable second stage
- Complies with BS 5839 Pt1: 1988
- Choice of 6 lens colours red, amber, green, blue, opal, clear made from flame retardant polycarbonate plastic
- Continuously rated
- Flame retardant ABS plastic enclosure
- Flame retardant polycarbonate lens
- Strobe - 2.5 and 5.0 joule See Ordering Instructions
- Stainless steel fixings
- 32 selectable tones meeting international regulations
- Sound selection via DIL switch (see Tone Table on page 18)

DIMENSIONS (mm)



Dimensions (mm)

Dim A	269	Dim E	24
Dim B	250	Dim F	10
Dim C	216	Dim G	57.5 - YL8
Dim D	153	Dim H	88 - YL8

M20 Mounting hole at Dim E

All dimensions quoted are approximate only and subject to change without notice as are technical features resulting from continual development and improvement.

TECHNICAL SPECIFICATION

- Operating temperature - 25 deg C to + 55 deg C
- Storage temperature - 40 deg C to + 70 deg C
- Operating voltage 12Vdc, 24Vdc, 48Vdc
115Vac, 230Vac +/- 10%

- DC second stage alarm signal is via polarised or 2 wire bi-polar connection
- IP 54 rated as std, IP 65 (WR) to order
- Weight YO8 + Super 2.5Kg
YL8 + Super 3.0Kg
- Separate input and output terminals on YO8, optional on YL8
- Max humidity (40deg C) 90% RH
- Sound output 116dB(A) @ 1mtr (Std)
- Sound output 120dB(A) @ 1mtr (Super)
- Minimum current consumption 300 mA

The PFEER sound signals recommended by UKOOA are:

General Alarm	Sound Signal 15	Interrupted tone 1000 Hz
PAPA	Sound Signal 31	Reverse Sweep 1200-500 Hz
Toxic Gas	Sound Signal 11	Continuous Tone 1000 Hz

LINE MONITORING (DC ONLY)

- 3 Wire 2 stage or 2 wire single stage, monitor via reverse polarity
- 2 Wire 2 stage i.e. bi-polar inputs, monitor via threshold (applied voltage <1V)

End of line resistor. Minimum 3K3 ohm 0.5 watts, wire-wound or metal film type.

MOUNTING

The YO8/YL8 series alarm units should be mounted to a reasonably flat wall or bulkhead of suitable material using the lugs projecting from the side of the case. The lugs are bored 10 mm clearance on 250mm centres. The minimum recommended length of fixing screws is 30mm. To maintain the integrity of the weather seal, the cable entry must be via a suitable sealed gland.

HOW TO ORDER

Unit Type	YA80	RF
Supply Voltage	DC	AC
	12 24 48	115 230
STD Units	B D F L N	
Material	RF	
Red Flame Retardant		
SUPER Units Insert	SU	

Unit Type	YL80	RF
Strobe supply Voltage and Flash Energy	DC	AC
FLASH ENERGY	12 24 48	115 230
STD Units	B25 D25	
	2.5 J	
	5.0 J	D50 F50 L50 N50
Lens Colour	AMBER RED GREEN OPAL BLUE CLEAR	
	A R G O B C	
Material	RF	
Red Flame Retardant		
SUPER Units Insert	SU	



YO8/YL8



YO8 Super/
YL8 Super



YO8+Super



YL8+Super

