

CVS CONTRACTOR SERIES LOUDSPEAKERS

MODELS: CVS-C5, CVS-C5T, CVS-C52T, CVS-C53T, CVS-C82T

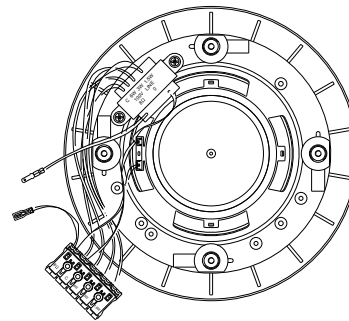
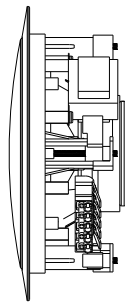
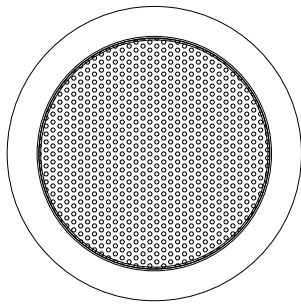


Illustration:
CVS-C52T

General Description

The Cloud CVS Contractor Series is a low-cost range of quality loudspeakers for flush in-ceiling installation. They are ideal for background music and announcements in pubs, bars, hotels, offices and general circulation areas in most types of public building. The loudspeakers provide both good musical reproduction and a high level of speech intelligibility. They are very easy to install, requiring a single circular cut-out in the ceiling or ceiling tile: a cutting template is provided with each loudspeaker. The loudspeakers are fixed in place by four dog-leg clamps which can be actuated and tightened from below with a screwdriver.

The range consists of four 5¼" models and one 8". All loudspeakers are constructed in lightweight ABS plastic with open back, infinite baffle characteristics. With the exception of the CVS-C5, all models include a 100 V-line transformer with three power tapings, plus the option for low-impedance operation. Connections are made via a multipin "Easy Connect" terminal block on a flying lead.

The CVS-C5 and CVS-C5T are 5¼" dual-cone designs: they differ only in the addition of a 100 V-line transformer on the CVS-C5T. In common with the whole range, the cones are constructed from

treated paper with a cloth surround. The CVS-C52T and CVS-C53T are also 5¼" designs, but are fully coaxial with a ½" Mylar dome tweeter; the CVS-C53T has a higher power rating but the two models are otherwise identical. The CVS-C82T is an 8" coaxial design with a 1" silk dome tweeter and a considerably extended LF response.

The loudspeakers are finished in white, though the CVS-C53T may also be ordered in black. All models come with a matching grille of the "snap-in" type which gives a very clean appearance to the finished installation.

CVS Series: main features:

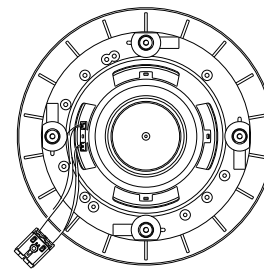
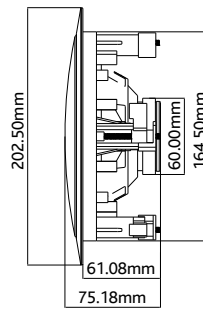
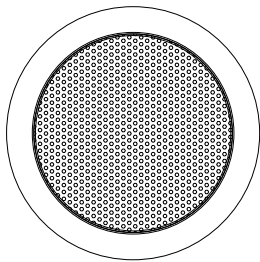
- Snap-on grille – easy to fit and remove
- Cutting template supplied
- Good musical quality and speech intelligibility
- 100 V-line models have integral multi-tap transformer
- Low impedance option on 100 V-line models
- Low profile back can for installation into ceiling voids with limited height
- "Easy Connect" terminal block simplifies installation
- All models finished in white; CVS-C53T available in black or white.

Technical Specifications

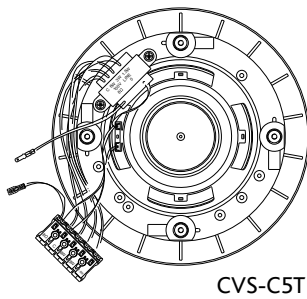
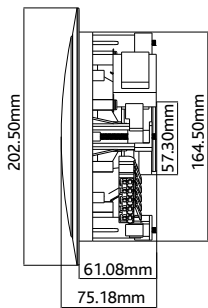
	CVS-C5	CVS-C5T	CVS-C52T	CVS-C53T	CVS-C82T
Nominal driver diameter	5¼"	5¼"	5¼"	5¼"	8"
Type	Dual cone	Dual cone	2-way coaxial	2-way coaxial	2-way coaxial
Tweeter design	n/a	n/a	½" Mylar dome	½" Mylar dome	1" Silk dome
Woofer design	5¼" treated paper, with cloth surround	5¼" treated paper, with cloth surround	5¼" treated paper, with cloth surround	5¼" treated paper, with cloth surround	8" treated paper, with cloth surround
Frequency Response (-3 dB)	73 Hz – 20 kHz	72 Hz – 20 kHz	98 Hz – 20 kHz	98 Hz – 20 kHz	40 Hz – 20 kHz
Frequency Response (-10 dB)	57 Hz – 20 kHz	54 Hz – 20 kHz	73 Hz – 20 kHz	73 Hz – 20 kHz	36 Hz – 20 kHz
Crossover frequency	n/a	n/a	9 kHz	9 kHz	6 kHz
Driver impedance	16 ohms	8 ohms	8 ohms	8 ohms	8 ohms
Sensitivity (1 W @ 1m)	85 dBA	86 dBA	88 dBA	88 dBA	89 dBA
Power rating	10 W	10 W	20 W	20 W	25W
Max power input	20 W	20 W	40 W	40 W	50 W
Transformer taps	n/a	6 W, 3 W, 1.5 W, lo-Z	6 W, 3 W, 1.5 W, lo-Z	24 W, 12 W, 6 W, lo-Z	24 W, 12 W, 6 W, lo-Z
Cutout hole size	169 mm	169 mm	169 mm	169 mm	241 mm
Grille type	Painted steel	Painted steel	Painted aluminium	Painted aluminium	Painted aluminium
Enclosure: overall dimensions (dia x height)	8.1" x 3.2" (205 mm x 80 mm)	8.1" x 3.2" (205 mm x 80 mm)	8.1" x 3.2" (205 mm x 80 mm)	8.1" x 3.2" (205 mm x 80 mm)	10.7" x 4" (271.5 mm x 100 mm)

Loudspeaker Dimensions

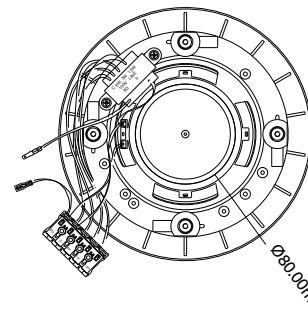
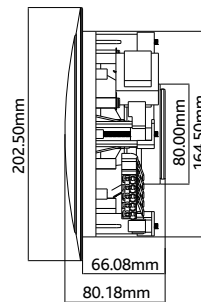
Front view
common to
all 5 1/4"
speakers



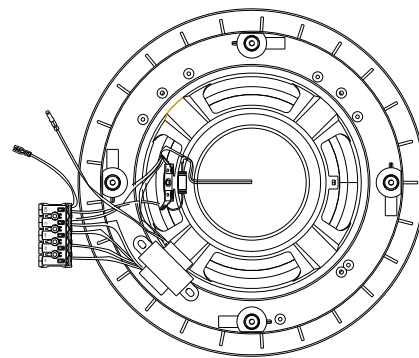
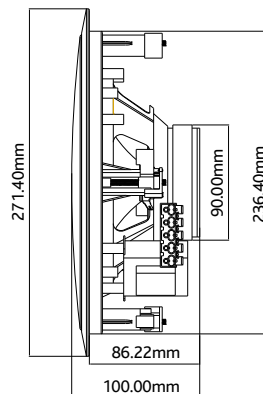
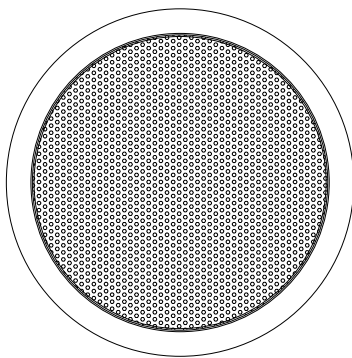
CVS-C5



CVS-C5T



CVS-C52T
and
CVS-C53T



CVS-C82T

Architect's and Engineer's Specification

Each loudspeaker in the range shall consist of an open-back enclosure in ABS plastic containing a drive unit and acoustic damping material. It shall incorporate an integral clamping system of the dog leg type, allowing the enclosure to be fitted into a blind wall or ceiling void with only a screwdriver. It shall include a removable steel or aluminium grille of the snap-in type. The grille shall attach in such a way that a smooth and clean appearance is achieved after fitment.

The enclosure shall not require more than 92 mm of height above/ behind the ceiling or wall to permit it to be fitted into restricted spaces. Installation of the loudspeaker shall require only one hole to be cut in the mounting surface. A template shall be packed with each loudspeaker to facilitate this cutout.

At least five versions shall be available, with either 5 1/4" and 8" drivers. The range shall include one 5 1/4" version with a 16 ohm impedance specifically for use in low-impedance systems. All other models shall be equipped with a transformer suitable for connection to a 100 V-line loudspeaker system, and the transformer shall have at least three different power tapings. It shall also be possible to bypass the transformer and use these versions in a low-impedance system.

There shall be two versions with 5 1/4" drivers of the dual cone type: one of these shall be the low-impedance only version referred to above. All other versions shall be of two-way coaxial design, and include an integral crossover network. Versions shall be available to deliver an SPL of up to 89 dBA from an input signal of 1 W power, measured at 1 m on-axis.

Electrical connections to the loudspeakers shall be via a terminal block on a flying lead and the terminal block shall not require special-purpose tools to effect a secure connection.

All loudspeakers in the range shall be available with a white finish; at least one 100 V-line model with a 5 1/4" coaxial driver shall be available in black finish as an alternative.

The loudspeakers shall be the following models in the Cloud CSV Series:

- CSV-C5 - 5 1/4" dual cone driver, low impedance only
- CVS-C5T - 5 1/4" dual cone driver, 100 V-line transformer with tapings for 1.5 W, 3 W and 6 W
- CVS-C52T - 5 1/4" coaxial driver, 100 V-line transformer with tapings for 1.5 W, 3 W and 6 W
- CVS-C53T - 5 1/4" coaxial driver, 100 V-line transformer with tapings for 6 W, 12 W and 24 W
- CVS-C82T - 8" coaxial driver, 100 V-line transformer with tapings for 6 W, 12 W and 24 W