

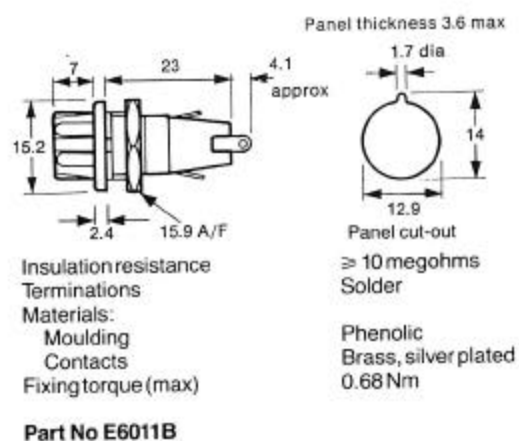
E6011B FUSEHOLDER



- Miniature panel fuseholder
- Removable membrane in fuseholder head for test probe
- Fuse carrier that screw into the body to achieve a reliable contact
- Fuseholder bodies have a feature to prevent rotation within the panel
- Accepts 20 x 5mm fuse links

CURRENT RATING:	6.3A
BREAKDOWN VOLTAGE:	>4Kv (sea level)
TEMPERATURE RANGE:	-55°C to +70°C (ambient)
INSERTION RESISTANCE:	5 milliohms (average) 10 milliohms (maximum)
INSULATION RESISTANCE:	>10 megohms
FIXING TORQUE (MAX):	0.68 Nm
TERMINATIONS:	Solder
MATERIALS:	Moulding, phenolic Contacts, brass, silver-plated
APPROVALS:	N/A

ORDERING REFERENCE: E6011B



BLP reserve the right to change without prior notice the information contained within this leaflet

BLP Components Ltd., Exning Road, Newmarket, Suffolk, CB8 0AX, England
Tel: +44 (0)1638 665161 Fax: +44 (0)1638 660718 email: sales@blpcomp.com <http://www.blpcomp.com>