



Connection, on rear, 4p, 1 page, size 1

Part no. **NZM1-4-XKR**
 Catalog No. **266737**

Delivery program

Number of conductors			4 pole
Accessories			Connection on rear
Rated current	I_n	A	≤ 160
For use with			NZM1-4, PN1-4, N(S)1-4
Terminal capacities			
Type of conductor			
Cu/Al cable			Copper cable lugs Aluminium cable lug
Terminal capacities			
flexible		mm ²	1 x 2.5 - 25 2 x 2.5 - 25 1 x 10 - 35 2 x 10 - 35
Terminal capacities			
Copper busbar width x thickness	Width	mm	$\leq 12 \times 5$ $\leq 16 \times 5$
Notes			
Type contains parts for a terminal located at top or bottom for 3 or 4-pole circuit-breakers.			

Design verification as per IEC/EN 61439

IEC/EN 61439 design verification			
10.2 Strength of materials and parts			
10.2.2 Corrosion resistance			Meets the product standard's requirements.
10.2.3.1 Verification of thermal stability of enclosures			Meets the product standard's requirements.
10.2.3.2 Verification of resistance of insulating materials to normal heat			Meets the product standard's requirements.
10.2.3.3 Verification of resistance of insulating materials to abnormal heat and fire due to internal electric effects			Meets the product standard's requirements.
10.2.4 Resistance to ultra-violet (UV) radiation			Meets the product standard's requirements.
10.2.5 Lifting			Does not apply, since the entire switchgear needs to be evaluated.
10.2.6 Mechanical impact			Does not apply, since the entire switchgear needs to be evaluated.
10.2.7 Inscriptions			Meets the product standard's requirements.
10.3 Degree of protection of ASSEMBLIES			Does not apply, since the entire switchgear needs to be evaluated.
10.4 Clearances and creepage distances			Meets the product standard's requirements.
10.5 Protection against electric shock			Does not apply, since the entire switchgear needs to be evaluated.
10.6 Incorporation of switching devices and components			Does not apply, since the entire switchgear needs to be evaluated.
10.7 Internal electrical circuits and connections			Is the panel builder's responsibility.
10.8 Connections for external conductors			Is the panel builder's responsibility.
10.9 Insulation properties			
10.9.2 Power-frequency electric strength			Is the panel builder's responsibility.
10.9.3 Impulse withstand voltage			Is the panel builder's responsibility.
10.9.4 Testing of enclosures made of insulating material			Is the panel builder's responsibility.
10.10 Temperature rise			The panel builder is responsible for the temperature rise calculation. Eaton will provide heat dissipation data for the devices.
10.11 Short-circuit rating			Is the panel builder's responsibility. The specifications for the switchgear must be observed.
10.12 Electromagnetic compatibility			Is the panel builder's responsibility. The specifications for the switchgear must be observed.
10.13 Mechanical function			The device meets the requirements, provided the information in the instruction leaflet (IL) is observed.

Technical data ETIM 7.0

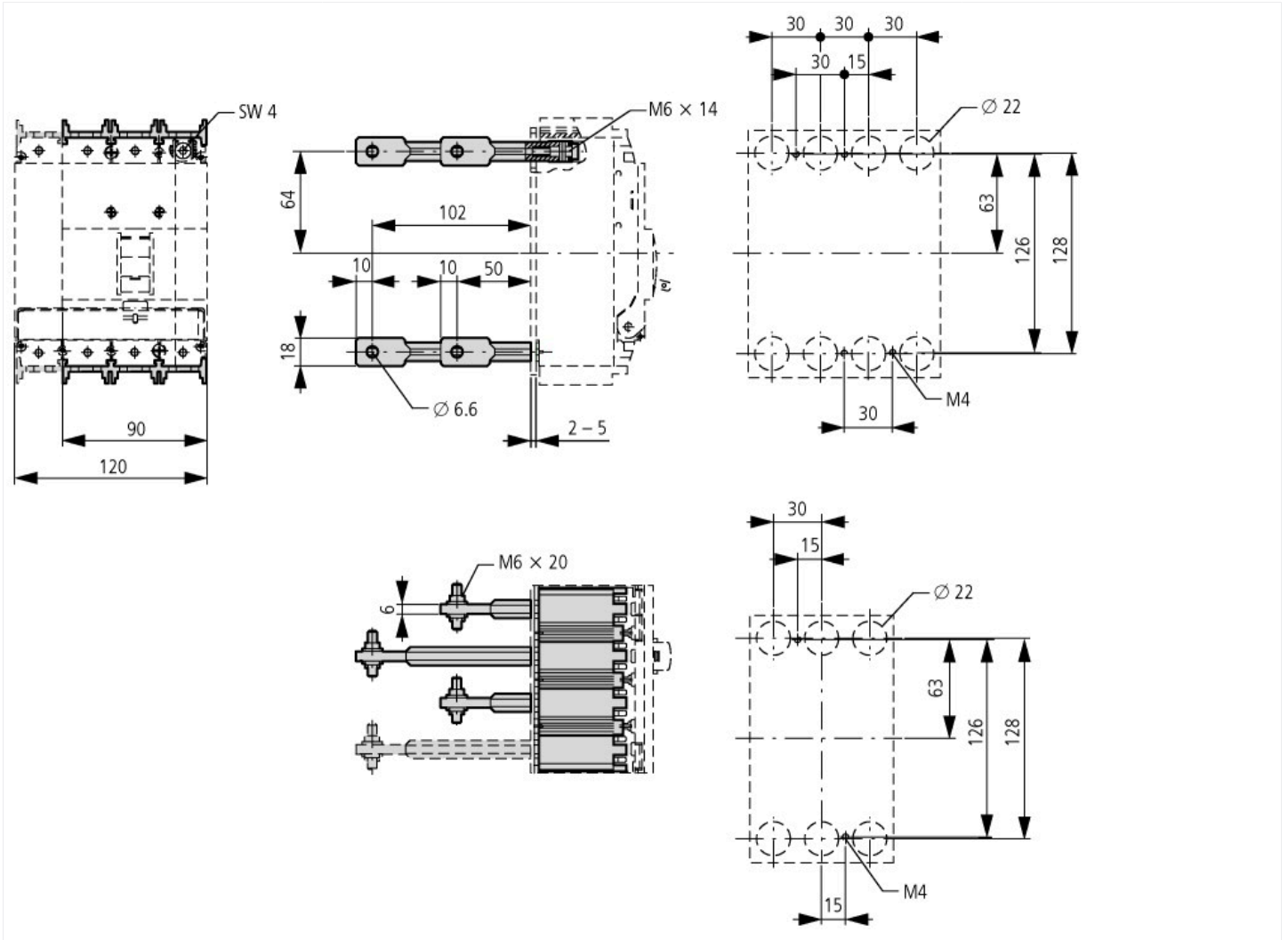
Suitable for number of poles

4

Model

Other

Dimensions



Additional product information (links)

IL01219046Z (AWA1230-2042) Rear connection

IL01219046Z (AWA1230-2042) Rear connection ftp://ftp.moeller.net/DOCUMENTATION/AWA_INSTRUCTIONS/IL01219046Z2011_02.pdf