



**ECO gateway for XI/ON I/O system, ethernet IP**

**Part no.** XNE-GWBR-2ETH-IP  
**Catalog No.** 140047

**EL-Nummer (Norway)** 4520607

**Delivery program**

Function			XI/ON ECO gateways
Connection technique			Push-in spring-cage terminal
Function			XNE-Gateway with integrated supply
Short Description			supports up to 74 disc-type modules (XN, XNE) 2 x RJ45-socket Address set with decimal rotary coding switch, BootP, DHCP or I/Oassistant Address range: 1 – 254 (dec.)
Field bus connection			Ethernet (Ethernet-IP protocol)
Terminal capacity (field bus/supply voltage)			Screw terminals
Service interface			Mini-USB
Data transfer rate			10/100 MBit/s
Instructions Bus refreshing module is already integrated.			
Information about equipment supplied The delivery package for all gateways includes: 2 x end bracket XN-WEW-32/2-SW, 1 x end plate XN-ABPL			

**Technical data**

**General**

Standards			EN 61000-6-2 EN 61000-6-4 EN 61131-2
Approvals			CE, cULus EAC
Potential isolation			Yes, through optocoupler
Ambient temperature		°C	0 - +55
Storage	9	°C	-25 - +85
Relative humidity			5 - 95 % (indoor), Level RH-2, no condensation (for storage at 45°C)
Harmful gases		ppm	SO <sub>2</sub> : 10 (rel. humidity < 75%, no condensation) H <sub>2</sub> S: 1.0 (rel. humidity < 75 %,no condensation)
Vibration			according to IEC/EN 60068-2-6
Mechanical shock resistance		g	according to IEC 60068-2-27
Continuous shock resistance (IEC/EN 60068-2-29)			According to IEC 60068-2-29
Drop and topple			According to IEC 60068-2-31, free fall according to IEC 60068-2-32
Degree of Protection			IP20
Electromagnetic compatibility (EMC)			
ESD	Air/contact discharge	kV	EN 61000-4-2
Electromagnetic fields	(0.08...1) / (1,4...2) / (2...2,7) GHz	V/m	EN 61100-4-2
Burst			EN 61100-4-4
Surge			EN 61100-4-5
Radiated RFI		V	EN 61100-4-6
Emitted interference (radiated, high frequency)	(30...230 MHz) / (230...1000 MHz)	dB	EN 55016-2-3
Voltage fluctuations/voltage dips			EN 61131-2
Type test			to EN 61131-2
Static heat dissipation, non-current-dependent	P <sub>vs</sub>	W	8

Other technical data (sheet catalogue)	Technical Data		
<b>Terminations</b>			
Rated data			according to VDE 0611 Part 1/8.92/IEC/EN 60947-7-1
Connection design in TOP direction			Push-In spring-cage terminals
Stripping length		mm	8
Clamping range			max. 0.14 - 1.5 mm <sup>2</sup>
Connectable conductors			
Solid		mm <sup>2</sup>	0.25 - 1.5
Flexible without ferrule		mm <sup>2</sup>	0.25 - 1.5
Flexible with ferrule		mm <sup>2</sup>	0.25 - 1.5
Flexible with ferrule		mm <sup>2</sup>	0.25 - 0.75
Gauge pin IEC/EN 60947-1			A1

## Networking

Bus			Ethernet
Bus protocol			EtherNet-IP
Maximum station configuration			74 cards (XN, XNE) of slice design or max. length of station: 1 m
System supply	U <sub>sys</sub>	V DC	24/5
Coordination type "2"	U <sub>sys</sub>	V DC	4.7 ... 5.3
Coordination type "1"	U <sub>sys</sub>	V DC	18 ... 30
Field voltage	U <sub>L</sub>		24 V DC
Admissible range			18-30 V DC
Residual ripple		%	According to EN 61131-2
Service interface			Mini-USB
Connection design for field bus			2 x RJ45 (Ethernet Switch)
Data transfer rate		kBit/s	10000, 100000
Data transfer rate setting			automatic
Addressing			DIP switch, BootP, DHCP or PGM
Address range			1 - 254 decimal

## Design verification as per IEC/EN 61439

Technical data for design verification			
Rated operational current for specified heat dissipation	I <sub>n</sub>	A	0
Heat dissipation per pole, current-dependent	P <sub>vid</sub>	W	0
Equipment heat dissipation, current-dependent	P <sub>vid</sub>	W	0
Static heat dissipation, non-current-dependent	P <sub>vs</sub>	W	8
Heat dissipation capacity	P <sub>diss</sub>	W	0
Operating ambient temperature min.		°C	0
Operating ambient temperature max.		°C	55
Degree of Protection			IP20
IEC/EN 61439 design verification			
10.2 Strength of materials and parts			
10.2.2 Corrosion resistance			Meets the product standard's requirements.
10.2.3.1 Verification of thermal stability of enclosures			Meets the product standard's requirements.
10.2.3.2 Verification of resistance of insulating materials to normal heat			Meets the product standard's requirements.
10.2.3.3 Verification of resistance of insulating materials to abnormal heat and fire due to internal electric effects			Meets the product standard's requirements.
10.2.4 Resistance to ultra-violet (UV) radiation			Meets the product standard's requirements.
10.2.5 Lifting			Does not apply, since the entire switchgear needs to be evaluated.
10.2.6 Mechanical impact			Does not apply, since the entire switchgear needs to be evaluated.
10.2.7 Inscriptions			Meets the product standard's requirements.
10.3 Degree of protection of ASSEMBLIES			Meets the product standard's requirements.
10.4 Clearances and creepage distances			Meets the product standard's requirements.
10.5 Protection against electric shock			Does not apply, since the entire switchgear needs to be evaluated.
10.6 Incorporation of switching devices and components			Does not apply, since the entire switchgear needs to be evaluated.

10.7 Internal electrical circuits and connections		Is the panel builder's responsibility.
10.8 Connections for external conductors		Is the panel builder's responsibility.
10.9 Insulation properties		
10.9.2 Power-frequency electric strength		Is the panel builder's responsibility.
10.9.3 Impulse withstand voltage		Is the panel builder's responsibility.
10.9.4 Testing of enclosures made of insulating material		Is the panel builder's responsibility.
10.10 Temperature rise		The panel builder is responsible for the temperature rise calculation. Eaton will provide heat dissipation data for the devices.
10.11 Short-circuit rating		Is the panel builder's responsibility.
10.12 Electromagnetic compatibility		Is the panel builder's responsibility.
10.13 Mechanical function		The device meets the requirements, provided the information in the instruction leaflet (IL) is observed.

## Technical data ETIM 7.0

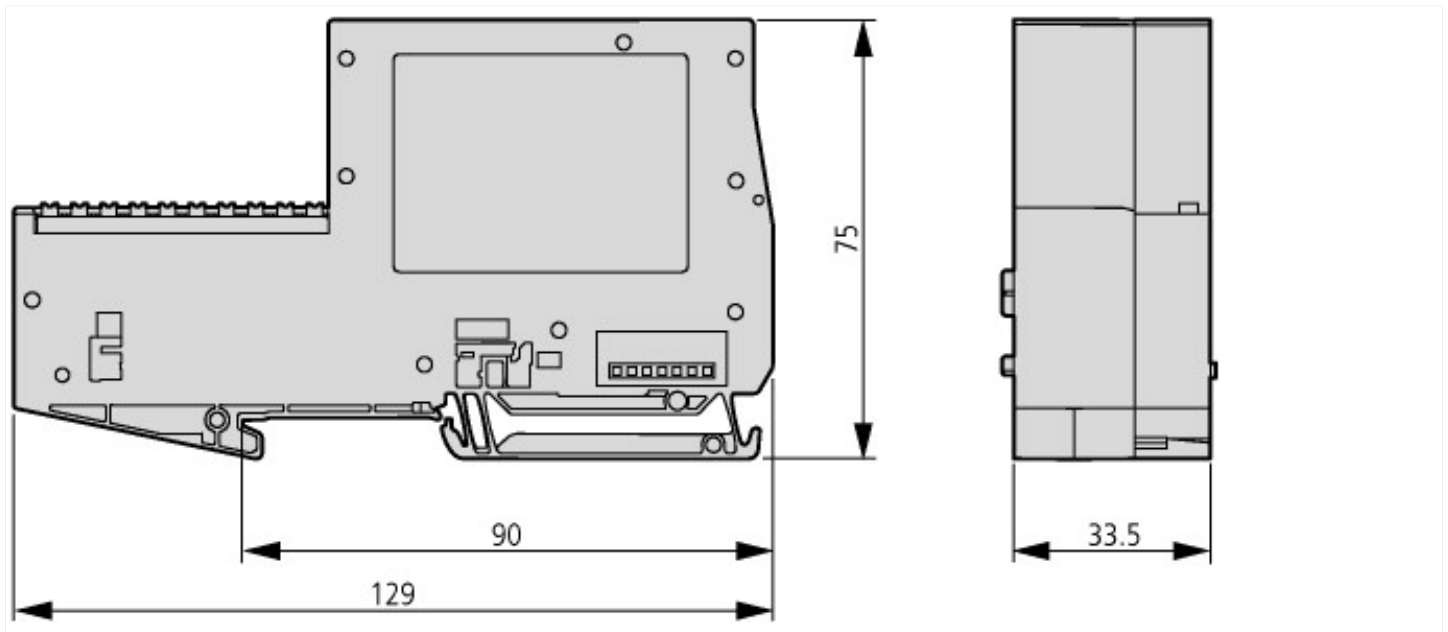
PLC's (EG000024) / Fieldbus, decentr. periphery - communication module (EC001604)		
Electric engineering, automation, process control engineering / Control / Field bus, decentralized peripheral / Field bus, decentralized peripheral - communications module (ecl@ss10.0.1-27-24-26-08 [BAA073013])		
Supply voltage AC 50 Hz	V	0 - 0
Supply voltage AC 60 Hz	V	0 - 0
Supply voltage DC	V	18 - 30
Voltage type of supply voltage		DC
Supporting protocol for TCP/IP		No
Supporting protocol for PROFIBUS		No
Supporting protocol for CAN		No
Supporting protocol for INTERBUS		No
Supporting protocol for ASI		No
Supporting protocol for KNX		No
Supporting protocol for MODBUS		No
Supporting protocol for Data-Highway		No
Supporting protocol for DeviceNet		No
Supporting protocol for SUCONET		No
Supporting protocol for LON		No
Supporting protocol for SERCOS		No
Supporting protocol for PROFINET IO		No
Supporting protocol for PROFINET CBA		No
Supporting protocol for Foundation Fieldbus		No
Supporting protocol for EtherNet/IP		Yes
Supporting protocol for AS-Interface Safety at Work		No
Supporting protocol for DeviceNet Safety		No
Supporting protocol for INTERBUS-Safety		No
Supporting protocol for PROFIsafe		No
Supporting protocol for SafetyBUS p		No
Supporting protocol for other bus systems		No
Radio standard Bluetooth		No
Radio standard WLAN 802.11		No
Radio standard GPRS		No
Radio standard GSM		No
Radio standard UMTS		No
IO link master		No
System accessory		Yes
Degree of protection (IP)		IP20
With potential separation		No
Fieldbus connection over separate bus coupler possible		Yes
Rail mounting possible		Yes
Wall mounting/direct mounting		No
Front build in possible		No

Rack-assembly possible		No
Suitable for safety functions		No
Category according to EN 954-1		
SIL according to IEC 61508		None
Performance level acc. EN ISO 13849-1		None
Appendant operation agent (Ex ia)		No
Appendant operation agent (Ex ib)		No
Explosion safety category for gas		None
Explosion safety category for dust		None
Width	mm	33.5
Height	mm	129
Depth	mm	75

## Approvals

Specially designed for North America		No
Current Limiting Circuit-Breaker		No
Degree of Protection		IEC: IP20, UL/CSA Type: -

## Dimensions



Dimensions

## Additional product information (links)

<b>User manual XI/ON for gateway XNE-GWBR-2ETH-IP MN05002007Z</b>	
User manual XI/ON for gateway XNE-GWBR-2ETH-IP MN05002007Z - English	<a href="ftp://ftp.moeller.net/DOCUMENTATION/AWB_MANUALS/MN05002007Z_EN.pdf">ftp://ftp.moeller.net/DOCUMENTATION/AWB_MANUALS/MN05002007Z_EN.pdf</a>
Technical Data	<a href="http://ecat.moeller.net/flip-cat/?edition=HPLEN&amp;startpage=14.111">http://ecat.moeller.net/flip-cat/?edition=HPLEN&amp;startpage=14.111</a>