



**Filament lamp, 24V, 4W**

**Part no.** SL4-L24  
**Catalog No.** 171383  
**Alternate Catalog No.** SL4-L24  
**EL-Nummer (Norway)** 4137618

**Delivery program**

Product range			Accessories
Basic function accessories			Filament bulbs
Mounting			Ba15d
lifespan		h	3000
Power			4 W
Rated operational voltage	U <sub>e</sub>	V	24 V
For use with			SL4-L-...
Connection to SmartWire-DT			no

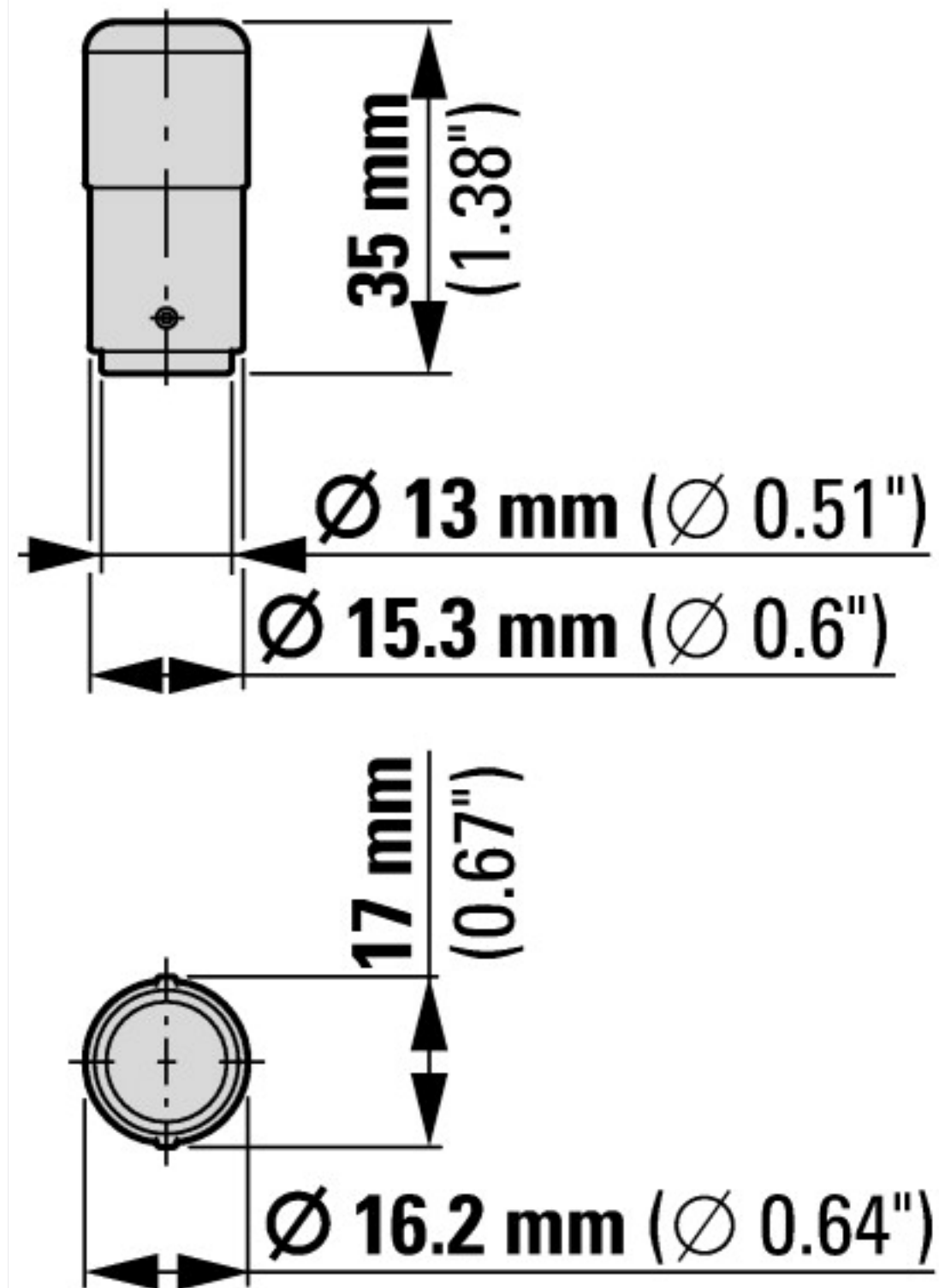
**Design verification as per IEC/EN 61439**

Technical data for design verification			
Operating ambient temperature min.		°C	-30
Operating ambient temperature max.		°C	60

**Technical data ETIM 7.0**

Lamps (EG000028) / Indication- and signalling lamp (EC000399)			
Electric engineering, automation, process control engineering / Lighting installation, device / Light medium / Indication- and signal lamp (ecl@ss10.0.1-27-11-06-31 [AKE242014])			
Lamp power		W	4 - 4
Lamp voltage		V	24 - 24
Luminous flux		lm	0
Socket			BA15d
Technology			Incandescent lamp
Lamp shape			Other
Halogen			No
Krypton			No
Xenon			No
Colour			None
Colour temperature		K	2800
Diameter		mm	0
Total length		mm	0
Suitable for torches			No
Suitable for pointer			Yes
Suitable for round flashing luminaire			Yes
Nominal current		mA	0
Average nominal lifespan		h	3000
Energy efficiency class			

## Dimensions



## Additional product information (links)

IL047005ZU SL4/7 Incandescent Modules

IL047005ZU SL4/7 Incandescent Modules

[ftp://ftp.moeller.net/DOCUMENTATION/AWA\\_INSTRUCTIONS/IL047005ZU2018\\_05.pdf](ftp://ftp.moeller.net/DOCUMENTATION/AWA_INSTRUCTIONS/IL047005ZU2018_05.pdf)