

Amphenol Canada Corp - Product Change Notice (PCN)

| | |
|--|---|
| PCN Date | March 20, 2020 |
| Supplier Name: | Amphenol |
| Amphenol Canada PCN Number | PCN-C1465 |
| Description of Change #1 | Change the hex nut thickness from 3.0mm to 5.0mm as below picture show.  |
| Reason for Change #1 | Increase the nut thickness in order to improve the tightening torque capability. |
| Description of Change #2 | Product appearance as below picture show.  |
| Summary of changes between new and old part | Product appearance has changed, The appearance of the hex nut is different between new and old parts |
| Traceability guidelines (lot code / date code, markings, ship date...) | Date code 2012 (Year 2020, Week 12) |
| Last Time Buy Date | Not Applicable |
| Datasheet attached & Filename(s) | P-MRD-AH02-L13-000-REVC, P-MRD-AH04-L13-000-REVC P-MRD-AH05-L13-000-REVB, P-MRD-AH06-L13-000-REVC P-MRD-AH07-L13-000-REVB, P-MRD-AH08-L13-000-REVB P-MRD-AX03-L13-000-REVF |
| Qual Test data attached? & Filename(s) | See attached updated drawings |

| Customer Part Number | Amphenol Old Part Number | Amphenol New Part Number | PCN Effectivity Date | Samples Availability Date | Last Time Buy Date | Expected Supplier Qual Date |
|----------------------|--------------------------|--------------------------|----------------------|---------------------------|--------------------|-----------------------------|
| | MRD-AH02-L13-000 | No change | 20-Mar-20 | 20-Mar-20 | N/A | |
| | MRD-AH04-L13-000 | | | | | |
| | MRD-AH05-L13-000 | | | | | |
| | MRD-AH06-L13-000 | | | | | |
| | MRD-AH07-L13-000 | | | | | |
| | MRD-AH08-L13-000 | | | | | |
| | MRD-AH03-L13-000 | | | | | |
| | MRD-AJ03-L13-000 | | | | | |

| REVISIONS | | | |
|-----------|---------------------------------|----------|-------|
| REV | DESCRIPTION, ECN, EAR NO. | DATE | APP'D |
| A | PROPOSAL DRAWING (EAR 14666) | JUN27/18 | A.G. |
| B | UPDATE DRAWING FORMAT | NOV18/19 | A.G. |
| C | MODIFY THE NUT THICKNESS TO 5mm | FEB27/20 | A.G. |

ORDERING CODE: MRD - AH02 - L13 - 000

SERIES _____

CONTACT SIZE & MECHANISM
A=12.0MM WITH LATCH LOCK

HOUSING ORIENTATION & CONTACT TYPE
H=FEMALE PLASTIC HOUSING & SOCKET CONTACT

NUMBER OF CONTACT
02=TWO CONTACTS

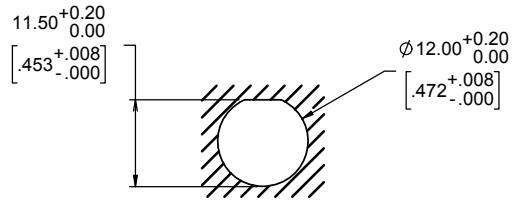
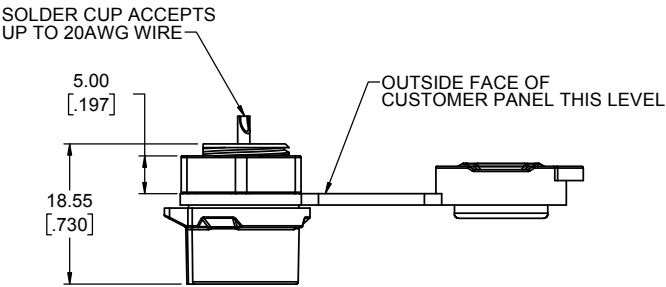
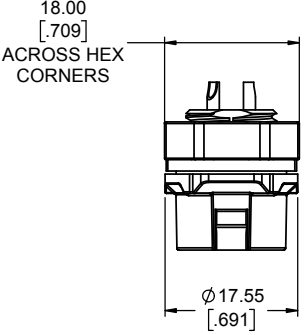
SPECIALS
000=STANDARD

MOUNTING & COVER OPTION
3= PANEL MOUNT WITH DUST COVER

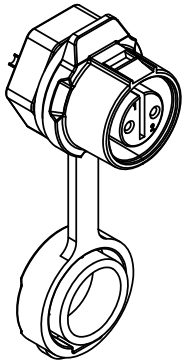
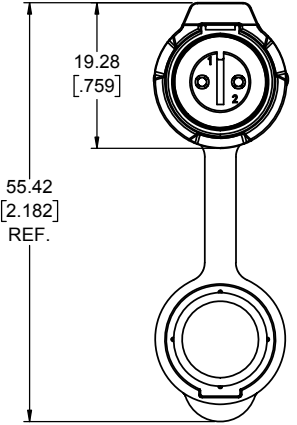
CONTACT TERMINATION TYPE
L1=SOLDER CUP

NOTES:

- ALL MATERIALS TO BE RoHS COMPLIANT PER EU DIRECTIVE 2011/65/EU AND AMENDMENTS.
- HOUSING & HEX NUT: THERMOPLASTIC PBT, UL FLAMMABILITY RATING 94V-0, BLACK
- CONTACT: COPPER ALLOY PLATED WITH GOLD FLASH OVER NICKEL
- DUST CAP: SILICONE RUBBER, BLACK
- ELECTRICAL CHARACTERISTICS:
CURRENT RATING: 5A
OPERATING VOLTAGE: 125V AC MAXIMUM
DIELECTRIC WITHSTANDING VOLTAGE: 1500V DC
CONTACT RESISTANCE: 10.0mΩ MAXIMUM.
- RECOMMENDED PANEL THICKNESS:
2.5 TO 3.0mm (.098 TO .118")
- ENVIRONMENT PROTECTION: IP67 PER IEC 60529



RECOMMEND PANEL HOLE



| | | | |
|----------------------------|------------------------|-----------|----------|
| UNLESS SPECIFIED OTHERWISE | DRAWN | K.XIONG | JUN25/18 |
| PRIMARY UNITS MILLIMETERS | CHECKED | K.LAMBIE | JUN27/18 |
| SECONDARY INCHES | M.E. APP'D | | |
| REFERENCE IN PARENTHESES | Q.A. APP'D | | |
| GENERAL TOLERANCES | DWG APPR. | A.GREEN | JUN27/18 |
| 1 DECIMAL PLACE ±0.25 | ENG. REL. NO. | | |
| 2 DECIMAL PLACES ±0.15 | REF. | EAR 14666 | |
| 3 DECIMAL PLACES | THIRD ANGLE PROJECTION | | |
| ANGULAR DEGREES | DO NOT SCALE DRAWING | | |

Amphenol Canada Corp.
Commercial Products

MRD SERIES RUGGED CONNECTOR, FEMALE,
2 SOCKET CONTACTS, LATCH LOCK PANEL
MOUNT WITH DUST COVER IP67 RATING,
RoHS COMPLIANT

DWG. NO. **P-MRD-AH02-L13-000** REV **C**

CODE ID NO. 03554 DWG SIZE: X SCALE: 2:1 SHEET 1 OF 1

| REVISIONS | | | |
|-----------|---------------------------------|----------|-------|
| REV | DESCRIPTION, ECN, EAR NO. | DATE | APP'D |
| A | PROPOSAL DRAWING (EAR 14666) | JUN27/18 | A.G. |
| B | UPDATE DRAWING FORMAT | NOV18/19 | A.G. |
| C | MODIFY THE NUT THICKNESS TO 5mm | FEB27/20 | A.G. |

ORDERING CODE: MRD - AH04 - L13 - 000

SERIES _____

CONTACT SIZE & MECHANISM
A=12.0MM WITH LATCH LOCK

HOUSING ORIENTATION & CONTACT TYPE
H=FEMALE PLASTIC HOUSING & SOCKET CONTACT

NUMBER OF CONTACT
04=FOUR CONTACTS

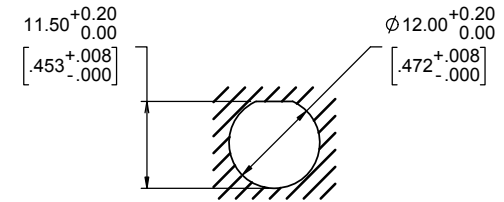
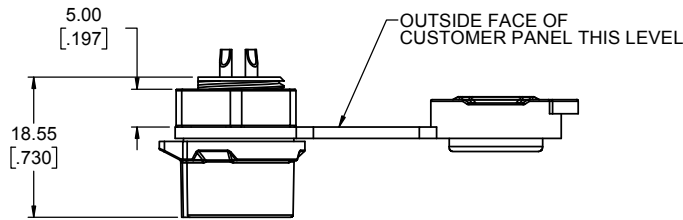
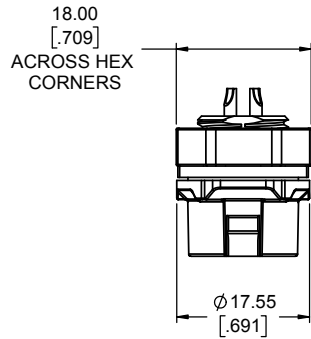
SPECIALS
000=STANDARD

MOUNTING & COVER OPTION
3= PANEL MOUNT WITH DUST COVER

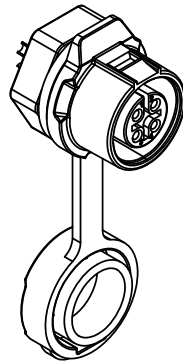
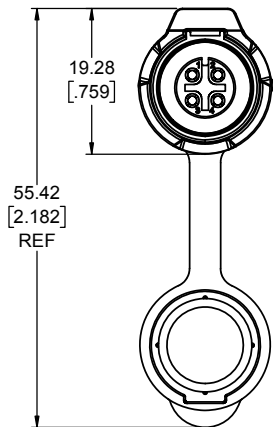
CONTACT TERMINATION TYPE
L1=SOLDER CUP

NOTES:

- ALL MATERIALS TO BE RoHS COMPLIANT PER EU DIRECTIVE 2011/65/EU AND AMENDMENTS.
 - HOUSING & HEX NUT: THERMOPLASTIC PBT, UL FLAMMABILITY RATING 94V-0, BLACK
 - CONTACT: COPPER ALLOY PLATED WITH GOLD FLASH OVER NICKEL
 - DUST CAP: SILICONE RUBBER, BLACK
- ELECTRICAL CHARACTERISTICS:
CURRENT RATING: 5A
OPERATING VOLTAGE: 125V AC MAXIMUM
DIELECTRIC WITHSTANDING VOLTAGE: 1500V DC
CONTACT RESISTANCE: 10.0mΩ MAXIMUM.
- RECOMMENDED PANEL THICKNESS:
2.5 TO 3.0mm (.098 TO .118")
- ENVIRONMENT PROTECTION: IP67 PER IEC 60529



RECOMMEND PANEL HOLE



THIS DOCUMENT CONTAINS PROPRIETARY INFORMATION AND SUCH INFORMATION MAY NOT BE DISCLOSED TO OTHERS FOR ANY PURPOSE OR USED FOR MANUFACTURING PURPOSES WITHOUT WRITTEN PERMISSION FROM AMPHENOL CANADA CORP.

| | | | |
|----------------------------|------------------------|-----------|----------|
| UNLESS SPECIFIED OTHERWISE | DRAWN | K.XIONG | JUN25/18 |
| PRIMARY UNITS MILLIMETERS | CHECKED | K.LAMBIE | JUN27/18 |
| SECONDARY INCHES | M.E. | APP'D | |
| REFERENCE IN PARENTHESES | Q.A. | APP'D | |
| GENERAL TOLERANCES | DWG APPR. | A.GREEN | JUN27/18 |
| 1 DECIMAL PLACE ±0.25 | ENG. REL. NO. | | |
| 2 DECIMAL PLACES ±0.15 | REF. | EAR 14666 | |
| 3 DECIMAL PLACES | THIRD ANGLE PROJECTION | | |
| ANGULAR DEGREES | DO NOT SCALE DRAWING | | |

| | |
|---|--------------------|
| Amphenol Canada Corp. Commercial Products | |
| MRD SERIES RUGGED CONNECTOR, FEMALE, 4 SOCKET CONTACTS, LATCH LOCK PANEL MOUNT WITH DUST COVER IP67 RATING, RoHS COMPLIANT | |
| DWG. NO. | P-MRD-AH04-L13-000 |
| CODE ID NO. 03554 | SCALE: 2:1 |
| DWG SIZE: X | SHEET 1 OF 1 |

REV C

| REVISIONS | | | |
|-----------|---------------------------------|----------|-------|
| REV | DESCRIPTION, ECN, EAR NO. | DATE | APP'D |
| A | PROPOSAL DRAWING | NOV18/19 | A.G. |
| B | MODIFY THE NUT THICKNESS TO 5mm | FEB27/20 | A.G. |

ORDERING CODE: MRD - AH05 - L13 - 000

SERIES _____

CONTACT SIZE & MECHANISM
A=12.0MM WITH LATCH LOCK

HOUSING ORIENTATION & CONTACT TYPE
H=FEMALE PLASTIC HOUSING & SOCKET CONTACT

NUMBER OF CONTACT
05=FIVE CONTACTS

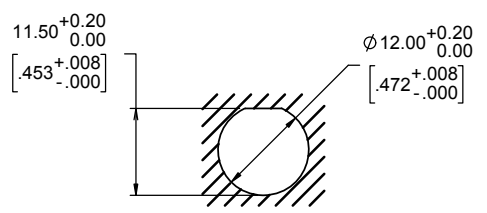
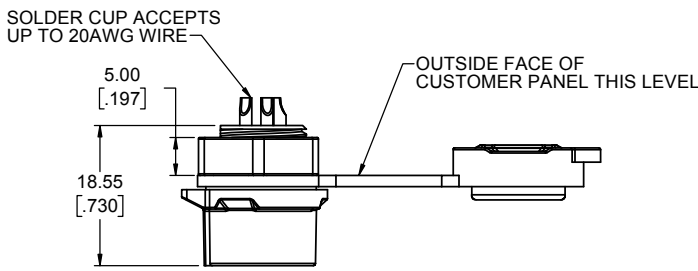
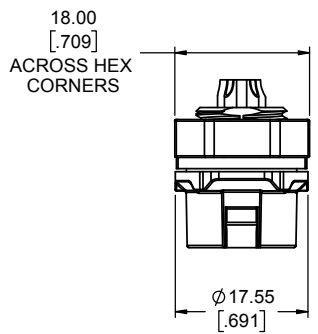
SPECIALS
000=STANDARD

MOUNTING & COVER OPTION
3= PANEL MOUNT WITH DUST COVER

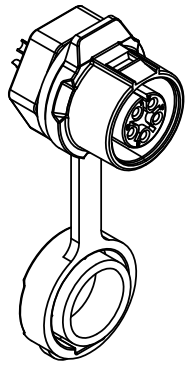
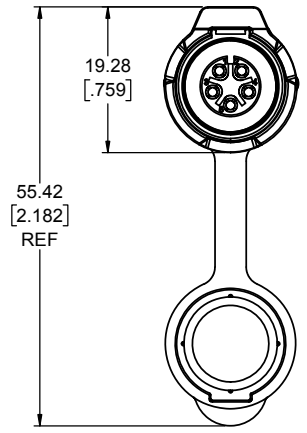
CONTACT TERMINATION TYPE
L1=SOLDER CUP

NOTES:

- ALL MATERIALS TO BE RoHS COMPLIANT PER EU DIRECTIVE 2011/65/EU AND AMENDMENTS.
 - HOUSING & HEX NUT: THERMOPLASTIC PBT, UL FLAMMABILITY RATING 94V-0, BLACK
 - CONTACT: COPPER ALLOY PLATED WITH GOLD FLASH OVER NICKEL
 - DUST CAP: SILICONE RUBBER, BLACK
- ELECTRICAL CHARACTERISTICS:
CURRENT RATING: 5A
OPERATING VOLTAGE: 125V AC MAXIMUM
DIELECTRIC WITHSTANDING VOLTAGE: 1500V DC
CONTACT RESISTANCE: 10.0mΩ MAXIMUM.
- RECOMMENDED PANEL THICKNESS:
2.5 TO 3.0mm (.098 TO .118")
- ENVIRONMENT PROTECTION: IP67 PER IEC 60529



RECOMMEND PANEL HOLE



| | | |
|----------------------------|------------------------|----------------------|
| UNLESS SPECIFIED OTHERWISE | DRAWN F.WANG | OCT12/19 |
| PRIMARY UNITS MILLIMETERS | CHECKED K.LAMBIE | NOV18/19 |
| SECONDARY INCHES | M.E. APP'D | |
| REFERENCE IN PARENTHESES | Q.A. APP'D | |
| GENERAL TOLERANCES | DWG APPR. A.GREEN | NOV18/19 |
| 1 DECIMAL PLACE ±0.25 | ENG. REL. NO. | |
| 2 DECIMAL PLACES ±0.15 | REF. EAR 14666 | |
| 3 DECIMAL PLACES | | |
| ANGULAR DEGREES | THIRD ANGLE PROJECTION | DO NOT SCALE DRAWING |

Amphenol Canada Corp.
Commercial Products

MRD SERIES RUGGED CONNECTOR, FEMALE,
5 SOCKET CONTACTS, LATCH LOCK PANEL
MOUNT WITH DUST COVER IP67 RATING,
RoHS COMPLIANT

DWG. NO. **P-MRD-AH05-L13-000** REV **B**

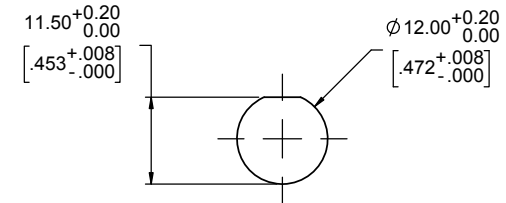
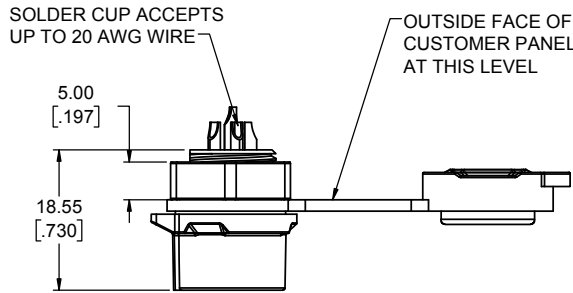
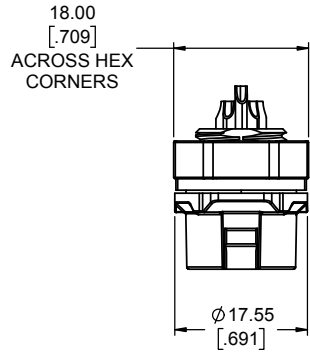
CODE ID NO. 03554 | DWG SIZE: X | SCALE: 2:1 | SHEET 1 OF 1

ORDERING CODE: MRD-AH06-L13-000

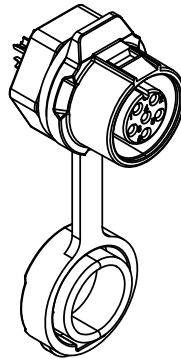
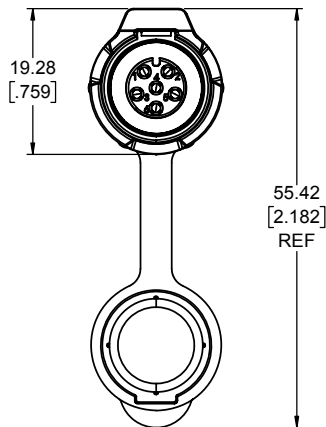
SERIES
 CONTACT SIZE & MECHANISM
 A=12mm WITH LATCH LOCK
 HOUSING ORIENTATION & CONTACT TYPE
 H=FEMALE PLASTIC HOUSING & SOCKET CONTACT
 NUMBER OF CONTACTS
 06 = SIX CONTACTS

SPECIALS
 000=STANDARD
 MOUNTING & COVER OPTION
 3= PANEL MOUNT WITH DUST COVER
 CONTACT TERMINATION TYPE
 L1=SOLDER CUP

| REVISIONS | | | |
|-----------|---------------------------------|----------|-------|
| REV | DESCRIPTION, ECN, EAR NO. | DATE | APP'D |
| B | PROPOSAL DRAWING (EAR 14784) | NOV28/19 | K.L. |
| C | MODIFY THE NUT THICKNESS TO 5mm | FEB27/20 | A.G |



RECOMMENDED PANEL CUTOUT



NOTES:

- ALL MATERIALS TO BE RoHS COMPLIANT PER EU DIRECTIVE 2011/65/EU AND AMENDMENTS.
 - HOUSING & HEX NUT: THERMOPLASTIC PBT, UL FLAMMABILITY RATING 94V-0, BLACK
 - CONTACT: COPPER ALLOY WITH GOLD FLASH OVER NICKEL
 - DUST CAP: SILICONE RUBBER, BLACK
- ELECTRICAL CHARACTERISTICS:
 - CURRENT RATING: 5A
 - OPERATING VOLTAGE: 125V AC MAXIMUM
 - DIELECTRIC WITHSTANDING VOLTAGE: 1500V DC
 - CONTACT RESISTANCE: 10.0mΩ MAXIMUM
- RECOMMENDED PANEL THICKNESS: 2.5 - 3.0mm (.098 - .118")
- ENVIRONMENT PROTECTION: IP67 PER IEC 60529

| | | | |
|----------------------------|------------------------|-----------|----------|
| UNLESS SPECIFIED OTHERWISE | DRAWN | F.WANG | OCT12/19 |
| PRIMARY UNITS MILLIMETERS | CHECKED | K.LAMBIE | NOV18/19 |
| SECONDARY INCHES | M.E. | APP'D | |
| REFERENCE IN PARENTHESES | Q.A. | APP'D | |
| GENERAL TOLERANCES | DWG APPR. | A.GREEN | NOV18/19 |
| 1 DECIMAL PLACE | ENG. REL. NO. | EAR 14666 | |
| 2 DECIMAL PLACES ±0.25 | REF. | | |
| 3 DECIMAL PLACES | THIRD ANGLE PROJECTION | | |
| ANGULAR DEGREES | DO NOT SCALE DRAWING | | |

| | | | |
|--|--------------------|------------|--------------|
| Amphenol Canada Corp. Commercial Products | | | |
| MRD SERIES RUGGED CONNECTOR, FEMALE, 6 SOCKET CONTACTS, LATCH LOCK, PANEL MOUNT WITH DUST COVER, IP67 RATING, RoHS COMPLIANT | | | |
| DWG. NO. | P-MRD-AH06-L13-000 | | REV C |
| CODE ID NO. 03554 | DWG SIZE: X | SCALE: 2:1 | SHEET 1 OF 1 |

ORDERING CODE: M R D - A H 0 7 - L 1 3 - 0 0 0

SERIES
CONTACT SIZE & MECHANISM
 A=12mm WITH LATCH LOCK

HOUSING ORIENTATION & CONTACT TYPE
 H=FEMALE PLASTIC HOUSING &
 SOCKET CONTACT

NUMBER OF CONTACT
 07=SEVEN CONTACTS

SPECIALS
 000=STANDARD

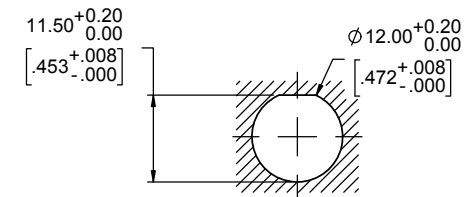
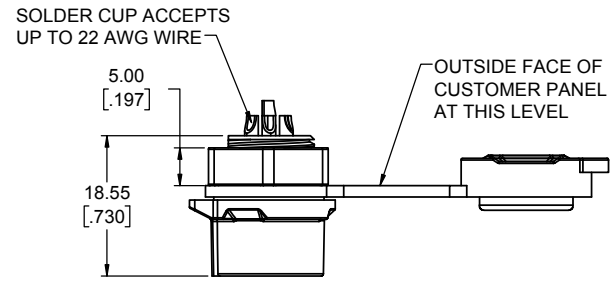
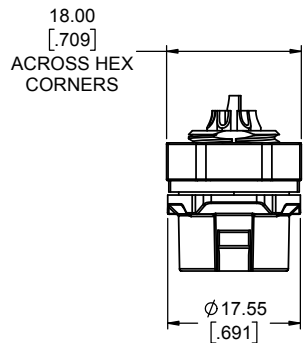
MOUNTING & COVER OPTION
 3= PANEL MOUNT WITH DUST COVER

CONTACT TERMINATION TYPE
 L1=SOLDER CUP

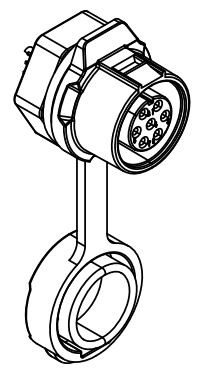
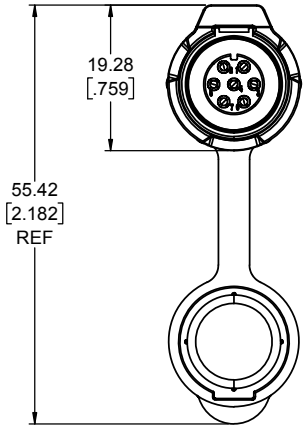
| REVISIONS | | | |
|-----------|---------------------------------|----------|-------|
| REV | DESCRIPTION, ECN, EAR NO. | DATE | APP'D |
| A | PROPOSAL DRAWING | NOV18/19 | A.G. |
| B | MODIFY THE NUT THICKNESS TO 5mm | FEB27/20 | A.G. |

NOTES:

- ALL MATERIALS TO BE RoHS COMPLIANT PER EU DIRECTIVE 2011/65/EU AND AMENDMENTS.
 • HOUSING & HEX NUT: THERMOPLASTIC PBT, UL FLAMMABILITY RATING 94V-0, BLACK
 • CONTACT: COPPER ALLOY WITH GOLD FLASH OVER NICKEL
 • DUST CAP: SILICONE RUBBER, BLACK
- ELECTRICAL CHARACTERISTICS:
 CURRENT RATING: 3A
 OPERATING VOLTAGE: 125V AC MAXIMUM
 DIELECTRIC WITHSTANDING VOLTAGE: 1500V DC
 CONTACT RESISTANCE: 10.0mΩ MAXIMUM
- RECOMMENDED PANEL THICKNESS: 2.5 TO 3.0mm (.098 TO .118")
- ENVIRONMENT PROTECTION: IP67 PER IEC 60529



RECOMMENDED PANEL HOLE



| | | | |
|----------------------------|------------------------|----------|----------|
| UNLESS SPECIFIED OTHERWISE | DRAWN | F.WANG | OCT18/19 |
| PRIMARY UNITS MILLIMETERS | CHECKED | K.LAMBIE | NOV18/19 |
| SECONDARY INCHES | M.E. | APP'D | |
| REFERENCE IN PARENTHESES | Q.A. | APP'D | |
| GENERAL TOLERANCES | DWG APPR. | A.GREEN | NOV18/19 |
| 1 DECIMAL PLACE ±0.25 | ENG. REL. NO. | | |
| 2 DECIMAL PLACES ±0.15 | REF. | | |
| 3 DECIMAL PLACES | THIRD ANGLE PROJECTION | | |
| ANGULAR DEGREES | DO NOT SCALE DRAWING | | |

Amphenol Canada Corp.
 Commercial Products

MRD SERIES RUGGED CONNECTOR, FEMALE, 7 SOCKET CONTACTS, LATCH LOCK, PANEL MOUNT WITH DUST COVER, IP67 RATING, RoHS COMPLIANT

DWG. NO. **P-MRD-AH07-L13-000** REV **B**

CODE ID NO. 03554 | DWG SIZE: X | SCALE: 2:1 | SHEET 1 OF 1

ORDERING CODE: MRD - AH08 - L13 - 000

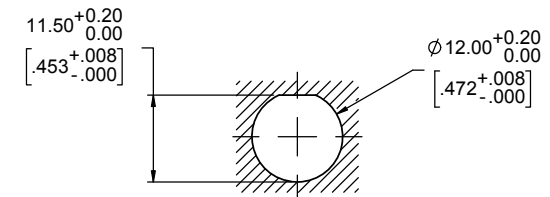
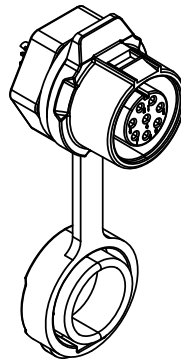
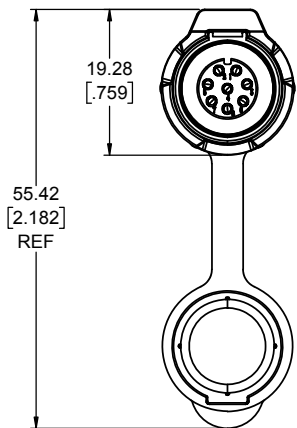
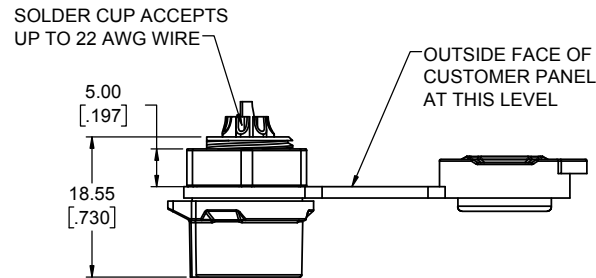
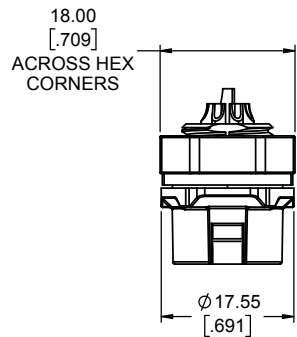
SERIES _____
CONTACT SIZE & MECHANISM
 A=12mm WITH LATCH LOCK
HOUSING ORIENTATION & CONTACT TYPE
 H=FEMALE PLASTIC HOUSING & SOCKET CONTACT
NUMBER OF CONTACT
 08=EIGHT CONTACTS

SPECIALS
 000=STANDARD
MOUNTING & COVER OPTION
 3= PANEL MOUNT WITH DUST COVER
CONTACT TERMINATION TYPE
 L1=SOLDER CUP

| REVISIONS | | | |
|-----------|---------------------------------|----------|-------|
| REV | DESCRIPTION, ECN, EAR NO. | DATE | APP'D |
| A | PROPOSAL DRAWING(EAR 14666) | NOV18/19 | A.G. |
| B | MODIFY THE NUT THICKNESS TO 5mm | FEB27/20 | A.G. |

NOTES:

- ALL MATERIALS TO BE RoHS COMPLIANT PER EU DIRECTIVE 2011/65/EU AND AMENDMENTS.
 • HOUSING & HEX NUT: THERMOPLASTIC PBT, UL FLAMMABILITY RATING 94V-0, BLACK
 • CONTACT: COPPER ALLOY WITH GOLD FLASH OVER NICKEL
 • DUST CAP: SILICONE RUBBER, BLACK
- ELECTRICAL CHARACTERISTICS:
 CURRENT RATING: 3A
 OPERATING VOLTAGE: 125V AC MAXIMUM
 DIELECTRIC WITHSTANDING VOLTAGE: 1500V DC
 CONTACT RESISTANCE: 10.0mΩ MAXIMUM
- RECOMMENDED PANEL THICKNESS: 2.5 TO 3.0mm (.098 TO .118")
- ENVIRONMENT PROTECTION: IP67 PER IEC 60529



RECOMMENDED PANEL HOLE



| | | | |
|----------------------------|------------------------|-----------|----------------------|
| UNLESS SPECIFIED OTHERWISE | DRAWN | F.WANG | OCT18/19 |
| PRIMARY UNITS MILLIMETERS | CHECKED | K.LAMBIE | NOV18/19 |
| SECONDARY INCHES | M.E. | APP'D | |
| REFERENCE IN PARENTHESES | Q.A. | APP'D | |
| GENERAL TOLERANCES | DWG APPR. | A.GREEN | NOV18/19 |
| 1 DECIMAL PLACE ±0.25 | ENG. REL. NO. | EAR 14666 | |
| 2 DECIMAL PLACES ±0.15 | REF. | | |
| 3 DECIMAL PLACES | THIRD ANGLE PROJECTION | | DO NOT SCALE DRAWING |
| ANGULAR DEGREES | | | |

| | | | |
|--|--------------------|------------|--------------|
| Amphenol Canada Corp. Commercial Products | | | |
| MRD SERIES RUGGED CONNECTOR, FEMALE, 8 SOCKET CONTACTS, LATCH LOCK, PANEL MOUNT WITH DUST COVER, IP67 RATING, RoHS COMPLIANT | | | |
| DWG. NO. | P-MRD-AH08-L13-000 | | REV B |
| CODE ID NO. 03554 | DWG SIZE: X | SCALE: 2:1 | SHEET 1 OF 1 |

| REVISIONS | | | |
|-----------|---------------------------------|----------|-------|
| REV | DESCRIPTION, ECN, EAR NO. | DATE | APP'D |
| C | UPDATING PANEL HOLE SIZE | JUN27/18 | A.G. |
| D | UPDATING SOLDER CUP SIZE | AUG01/18 | A.G. |
| E | UPDATED DRAWING FORMAT | NOV18/19 | A.G. |
| F | MODIFY THE NUT THICKNESS TO 5mm | MAR02/20 | A.G. |

ORDERING CODE: MRD - A X 03 - L 13 - 000

SERIES _____

CONTACT SIZE & MECHANISM
A=12.0mm WITH LATCH LOCK

HOUSING ORIENTATION & CONTACT TYPE
H=FEMALE PLASTIC HOUSING & SOCKET CONTACTS
J=FEMALE PLASTIC HOUSING & PIN CONTACTS

NUMBER OF CONTACT
03=THREE CONTACTS

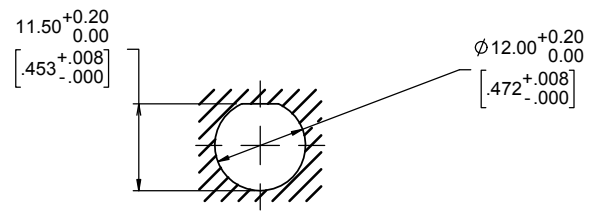
SPECIALS
000=STANDARD

MOUNTING & COVER OPTION
3= PANEL MOUNT WITH DUST COVER

CONTACT TERMINATION TYPE
L1=SOLDER CUP

NOTES:

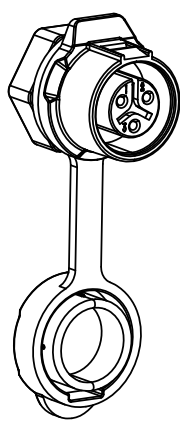
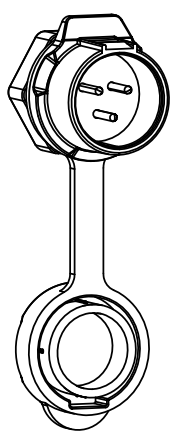
- ALL MATERIALS TO BE RoHS COMPLIANT PER EU DIRECTIVE 2011/65/EU AND AMENDMENTS.
 - HOUSING & NUT : THERMOPLASTIC PBT, UL FLAMMABILITY RATING 94V-0, BLACK
 - CONTACT: COPPER ALLOY PLATED WITH GOLD FLASH OVER NICKEL
 - DUST CAP: SILICONE RUBBER
- ELECTRICAL CHARACTERISTICS:
CURRENT RATING: 5A
OPERATING VOLTAGE: 125V AC MAXIMUM
DIELECTRIC WITHSTANDING VOLTAGE: 1500V DC
CONTACT RESISTANCE: 10.0mΩ MAXIMUM
- RECOMMENDED CABLE OUTSIDE DIAMETER:
2.5 TO 3.0mm (.098 TO .118")
- ENVIRONMENT PROTECTION: IP67 PER IEC 60529



FEMALE WITH THREE PIN CONTACTS

FEMALE WITH THREE SOCKET CONTACTS

RECOMMEND PANEL HOLE



PART NUMBER TABLE

| CONNECTOR PART NUMBER | CONTACT TYPE | WIRE GAUGE FOR SOLDER CUP |
|-----------------------|--------------|---------------------------|
| MRD-AH03-L13-000 | SOCKET | 24-20 AWG |
| MRD-AJ03-L13-000 | PIN | 24-20 AWG |

SEE SHEET 2 FOR ADDITIONAL DRAWING VIEWS



| | | | |
|----------------------------|------------------------|-----------|----------|
| UNLESS SPECIFIED OTHERWISE | DRAWN | K.XIONG | MAY09/18 |
| PRIMARY UNITS MILLIMETERS | CHECKED | K.LAMBIE | MAY15/18 |
| SECONDARY INCHES | M.E. | APP'D | |
| REFERENCE IN PARENTHESES | Q.A. | APP'D | |
| GENERAL TOLERANCES | DWG APPR. | A.GREEN | MAY15/18 |
| 1 DECIMAL PLACE ±0.25 | ENG. REL. NO. | | |
| 2 DECIMAL PLACES ±0.15 | REF. | EAR 14575 | |
| 3 DECIMAL PLACES | THIRD ANGLE PROJECTION | | |
| ANGULAR DEGREES | DO NOT SCALE DRAWING | | |

Amphenol Canada Corp.
Commercial Products

MRD SERIES RUGGED CONNECTOR, FEMALE
3 POSITIONS, LATCH LOCK PANEL MOUNT
WITH DUST COVER, IP67 RATING, RoHS
COMPLIANT

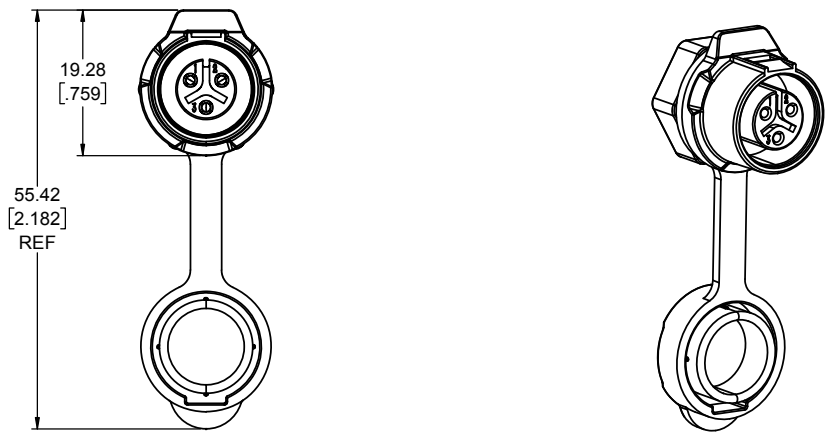
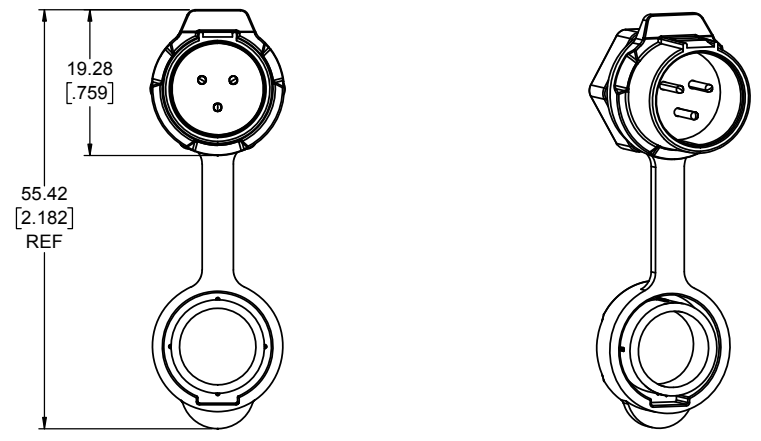
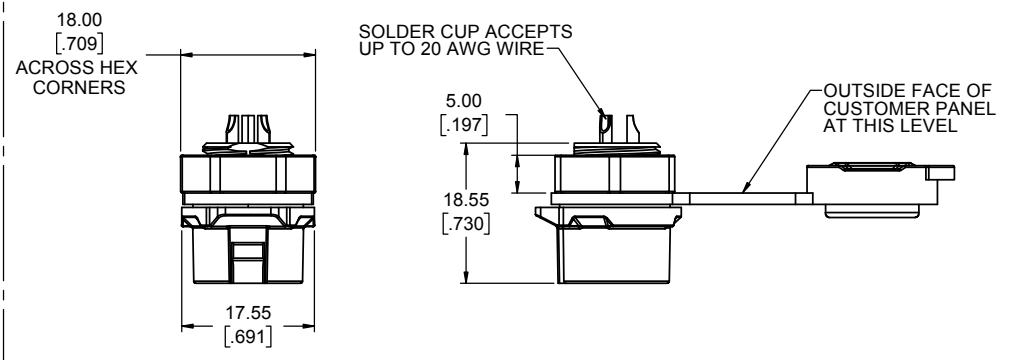
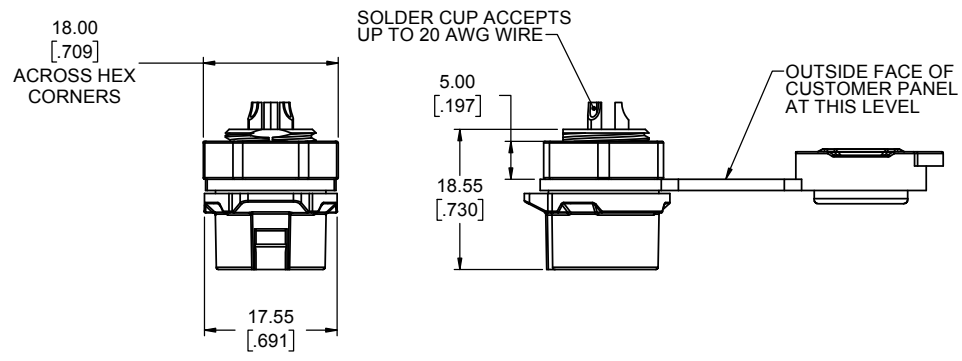
DWG. NO. **P-MRD-AX03-L13-000** REV **F**

CODE ID NO. 03554 | DWG SIZE: X | SCALE: 2:1 | SHEET 1 OF 2

| REVISIONS | | | |
|-----------|---------------------------------|----------|-------|
| REV | DESCRIPTION, ECN, EAR NO. | DATE | APP'D |
| C | UPDATING PANEL HOLE SIZE | JUN27/18 | A.G. |
| D | UPDATING SOLDER CUP SIZE | AUG01/18 | A.G. |
| E | UPDATED DRAWING FORMAT | NOV18/19 | A.G. |
| F | MODIFY THE NUT THICKNESS TO 5mm | MAR02/20 | A.G. |

FEMALE WITH THREE PIN CONTACTS

FEMALE WITH THREE SOCKET CONTACTS



| | | | |
|----------------------------|------------------------|-----------|----------|
| UNLESS SPECIFIED OTHERWISE | DRAWN | K.XIONG | MAY09/18 |
| PRIMARY UNITS MILLIMETERS | CHECKED | K.LAMBIE | MAY15/18 |
| SECONDARY INCHES | M.E. | APP'D | |
| REFERENCE IN PARENTHESES | Q.A. | APP'D | |
| GENERAL TOLERANCES | DWG APPR. | A.GREEN | MAY18/18 |
| 1 DECIMAL PLACE ±0.25 | ENG. REL. NO. | | |
| 2 DECIMAL PLACES ±0.15 | REF. | EAR 14575 | |
| 3 DECIMAL PLACES | THIRD ANGLE PROJECTION | | |
| ANGULAR DEGREES | DO NOT SCALE DRAWING | | |

Amphenol Canada Corp.
Commercial Products

MRD SERIES RUGGED CONNECTOR, FEMALE
3 POSITIONS, LATCH LOCK PANEL MOUNT
WITH DUST COVER, IP67 RATING, RoHS
COMPLIANT

DWG. NO. **P-MRD-AX03-L13-000** REV **F**

CODE ID NO. 03554 DWG SIZE: X SCALE: 2:1 SHEET 2 OF 2

THIS DOCUMENT CONTAINS PROPRIETARY INFORMATION AND SUCH INFORMATION MAY NOT BE DISCLOSED TO OTHERS FOR ANY PURPOSE OR USED FOR MANUFACTURING PURPOSES WITHOUT WRITTEN PERMISSION FROM AMPHENOL CANADA CORP.