

Thermostat Switch with Single Pole



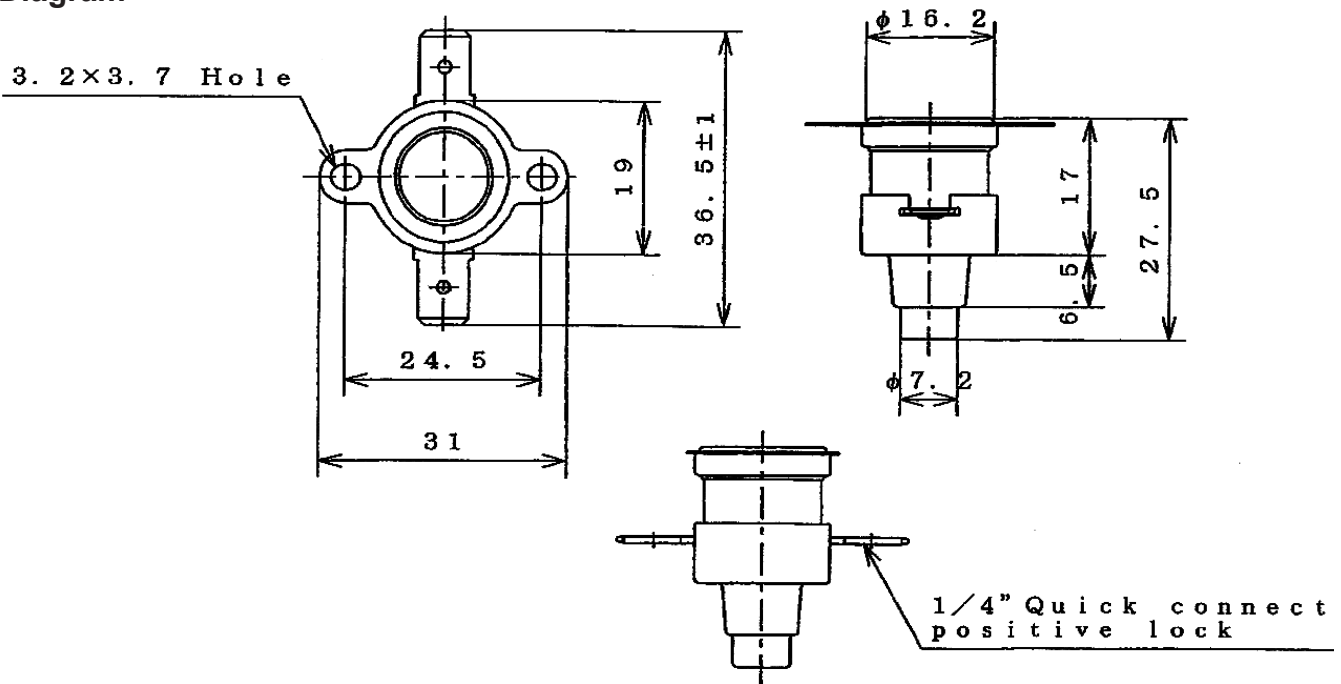
Specifications

Structure Type	: Single Pole Single Throw manual reset type thermostat with bimetallic disc Type of action: Contacts open on temperature rise. Not automatic reset.
Electrical Rating	: Resistive load: AC125V / 15A, AC250V / 10A Resistive load AC250V / 16A, 3,000 Cycles 150°C
Resistance between Terminals	: Initial value shall be 30mΩ
Insulation Resistance	: 1,000MΩ
Dielectric Strength	: 2,000V AC for 2 seconds
Terminal Strength	: When subjected to 78.4 N. tension to the direction of terminal and 39.2 N. static load to the vertical direction of terminal for 1 minute, the insulator shall show no abnormalities.
Max. Ambient Temperature	: +150°C

Standard

DIN EN 60730-1, -2-9 VDE Licence No. 40012267

Diagram

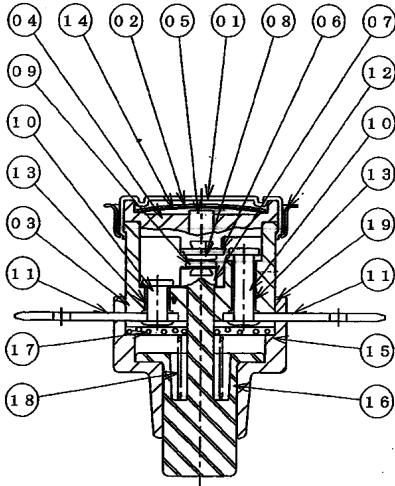


Dimensions : Millimetres

Newark.com/exclusive-brands
Farnell.com/exclusive-brands
Element14.com/exclusive-brands



Thermostat Switch with Single Pole



No.	Name	Material
1	Cap	Aluminium
2	Bimetal	-
3	Case	Phenol
4	Retainer	Phenol
5	Pin	Ceramic
6	Stationary arm	Copper Alloy
7	Movable arm	Copper Alloy
8	Contact	Silver-Nickel Alloy
9	Contact	Silver-Nickel Alloy
10	Rivet	Copper
11	Terminal	Copper Alloy
12	Bracket	Stainless Steel
13	Sleeve	Copper
14	Metal Disc	Copper Alloy
15	Cover	Phenol
16	Button	Phenol
17	Insulator	Phenol
18	Spring	Stainless Steel
19	Bond	Epoxy

Part Number Table

Description	Part Number
Thermostat Switch with Single Pole, 150°C, Normally Closed, Flange Mount	23ENT234(150/M)

Important Notice : This data sheet and its contents (the "Information") belong to the members of the AVNET group of companies (the "Group") or are licensed to it. No licence is granted for the use of it other than for information purposes in connection with the products to which it relates. No licence of any intellectual property rights is granted. The Information is subject to change without notice and replaces all data sheets previously supplied. The Information supplied is believed to be accurate but the Group assumes no responsibility for its accuracy or completeness, any error in or omission from it or for any use made of it. Users of this data sheet should check for themselves the Information and the suitability of the products for their purpose and not make any assumptions based on information included or omitted. Liability for loss or damage resulting from any reliance on the Information or use of it (including liability resulting from negligence or where the Group was aware of the possibility of such loss or damage arising) is excluded. This will not operate to limit or restrict the Group's liability for death or personal injury resulting from its negligence. Multicomp is the registered trademark of Premier Farnell Limited 2019.

Newark.com/exclusive-brands
 Farnell.com/exclusive-brands
 Element14.com/exclusive-brands

