

1/2" Disc Type Thermostat



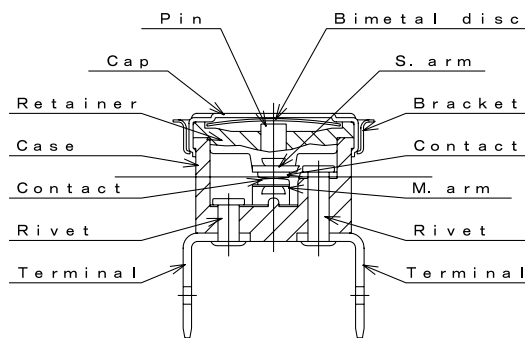
Specifications

Basic Features	: SPST Automatic reset
Operation	: A : Contacts open on temperature rise B : Contacts close on temperature rise
Electrical Rating	: 7A / 250V AC
Calibration Method	: Hot and cold air circulation system
Temperature Rating	: Operating temperature +260°C (Max.)
Insulation Resistance	: Not less than 1,000MΩ / DC500V
Dielectric Strength	: Not less than 1,500V AC / 1min. or 1,800V AC / 1sec

Standard

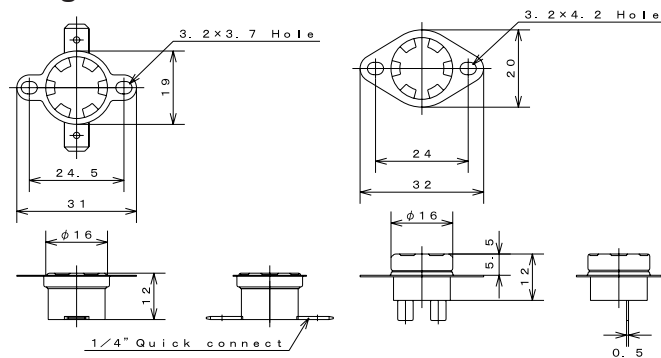
DIN EN 60730-1, -2-9 VDE Licence No. 100896, 40004992

Structure



Materials of parts	
Part	Material
Cap	Aluminium Copper Stainless steel
Case	Ceramic
M.arm	Nickel alloy
Terminals	Steel #250 Tab, Weld
Bracket	Stainless steel
Contacts	Silver

Diagram



Dimensions : Millimetres

Part Number Table

Description	Part Number
1/2" Disc Type Thermostat, SPST Automatic reset, 7A/250V AC	55H12T944(250/200)

Important Notice : This data sheet and its contents (the "Information") belong to the members of the AVNET group of companies (the "Group") or are licensed to it. No licence is granted for the use of it other than for information purposes in connection with the products to which it relates. No licence of any intellectual property rights is granted. The Information is subject to change without notice and replaces all data sheets previously supplied. The Information supplied is believed to be accurate but the Group assumes no responsibility for its accuracy or completeness, any error in or omission from it or for any use made of it. Users of this data sheet should check for themselves the Information and the suitability of the products for their purpose and not make any assumptions based on information included or omitted. Liability for loss or damage resulting from any reliance on the Information or use of it (including liability resulting from negligence or where the Group was aware of the possibility of such loss or damage arising) is excluded. This will not operate to limit or restrict the Group's liability for death or personal injury resulting from its negligence. Multicomp is the registered trademark of Premier Farnell Limited 2019.

Newark.com/exclusive-brands
Farnell.com/exclusive-brands
Element14.com/exclusive-brands

