

# CR1400

## 20VA SHAVER SUPPLY UNIT DUAL VOLTAGE



# Instinct™

WIRING ACCESSORIES

### CONSTRUCTION

Product Category	Wiring Accessory
Product Group	Power & Control
Product Type	Shaver Supply Outlet
Shape	Rectangular Plate
Material	Urea Formaldehyde
Finish	Moulded
Mounting Type	Flush/Surface

### POWER

Current	20V Amps
Current Type	AC
Frequency	50Hz
Input Voltage	115/240V
Switched Poles	Not Applicable
Number of Rocker Switches	0
Number of Ways	Not Applicable
Fuse Rating	Not Applicable

### AESTHETICS

Plate Gang / Module Size	2 Gang
Plate Colour	White
Rocker Colour	Not Applicable
Light Reflectance Value (LRV)	74
Printing Text/Type	115V, 20VA, 230V & Shaver Symbol, Laser Printed
Status Indicator	N
Switched Outlets	N
Part M Compliance	Y
Anti Microbial Properties	Y
Key Features & Benefits	Curved Slimline Plate All Upward Facing Terminals Full Contact Cable Clamp Indelible Laser Marking

### TERMINAL

L & N Terminal Capacity as per BS Standard	4 x 1.0mm <sup>2</sup> , 3 x 1.5mm <sup>2</sup>
Earth Terminal Capacity as per BS Standard	4 x 1.0mm <sup>2</sup> , 3 x 1.5mm <sup>2</sup>
Number of Earth Terminals	2
Cable Strip Length	12mm
Screwdriver Type Required	Slotted Type
Torque requirement as per BS Standard L&N	0.6Nm
Torque requirement as per BS Standard Earth	0.6Nm

### LOCATION

Max Ambient Operating Temp as per BS Req.	Not Applicable
Min Ambient Operating Temp as per BS Req.	Not Applicable
Max Altitude as per BS Requirement	2000m
IP Rating	IP21

### DIMENSIONAL / FIXING

Height	146mm
Width	86mm
Depth Overall (Inc Rocker)	51.5mm
Depth Interior only	40mm
Gross Weight	0.636kg
Minimum Back Box Depth	47mm
Suggested Back Box Depth	47mm
Fixing Centres	120.6mm
Minimum Access Top	100cm
Minimum Access Bottom	100cm
Minimum Access Left	100cm
Minimum Access Right	100cm
Minimum Access Front	100cm
Minimum Access Rear	100cm
Flush Mounting Metal Box	SB628 (47mm)
Flush Mounting Dry Lining Box	SB631 (47mm)
Surface Mounting Box	9053 (49mm)

### STANDARDS

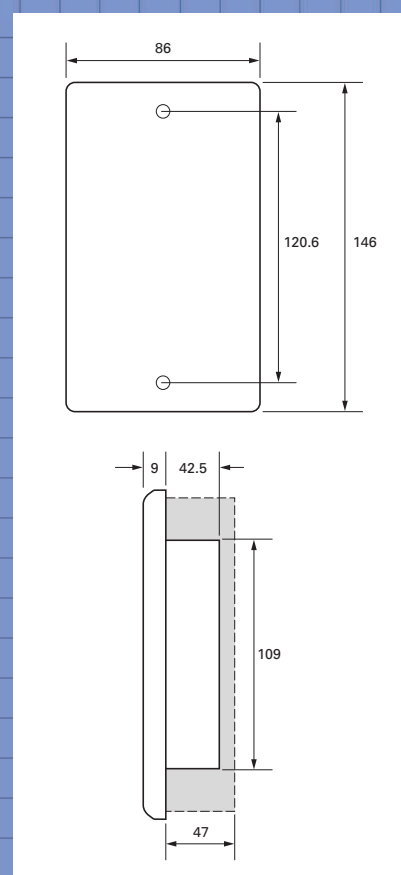
British Standard/s	BS EN 61558-2-5
Other Markings/Standards	CE

### PACKAGING

Inner Carton Qty	1
Customer MOQ	1

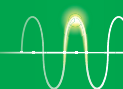
### SUSTAINABILITY

URL to technology list	<a href="https://www.crabtreecommercial.co.uk/">https://www.crabtreecommercial.co.uk/</a>
------------------------	---



Electrium Sales Limited  
A Siemens Company  
Tel: +44 (0) 1543 438310  
Fax: +44 (0) 1543 000000  
Email: [crabtree.technical@electrium.co.uk](mailto:crabtree.technical@electrium.co.uk)  
[www.electrium.co.uk](http://www.electrium.co.uk)

Although every effort has been made to ensure accuracy in the compilation of the technical detail within this publication, specifications and performance data are constantly changing. Latest details can be obtained from Crabtree.



**Crabtree**