

1. 100% OPEN SHORT MIS WIRE TEST
2. CONTACT RESISTANCE: 5 OHM MAX
3. INSULATION RESISTANCE: 5M OHM MIN
4. HI-POT TEST: DC 300V/10ms
5. PASS 3840*2160P@30HZ/VGA: 1920*1080P/60HZ EST

CONSUMER ITEM

LENGTH(mm)

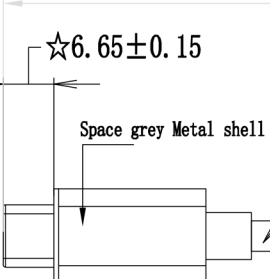
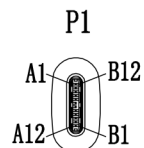
PSC3317

200±10

USB 3.1 C/M Nickel plated

VGA+HDMI A/F+PCB' A Nickel plated

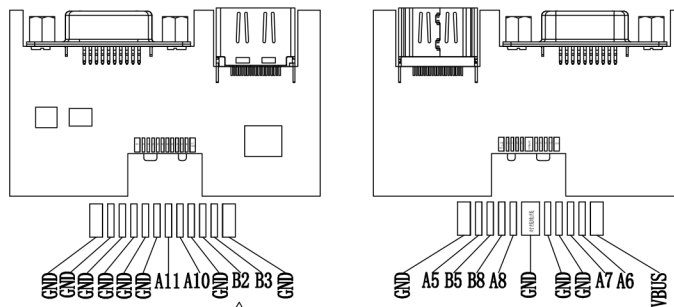
☆6.65±0.15



Cable: USB3.1 (#32*1P+D+AL+MY)*4C+#32*4C+#32*1P+#26*1C+#28*1C+AB BLACK PVC Jacket OD4.0MM

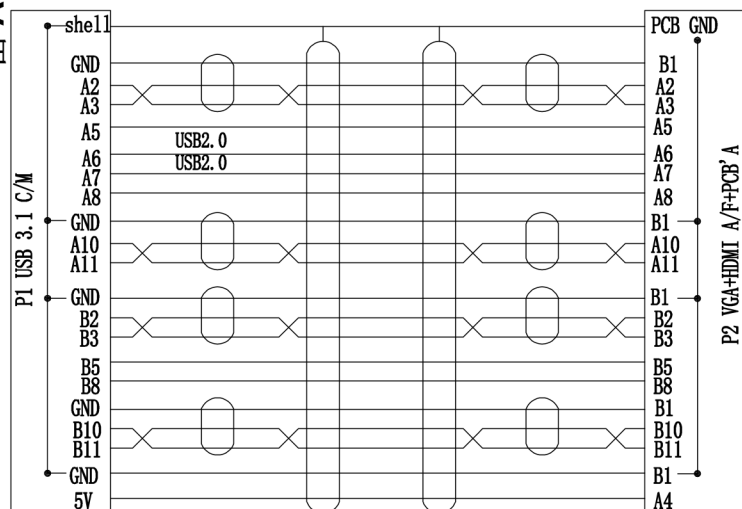
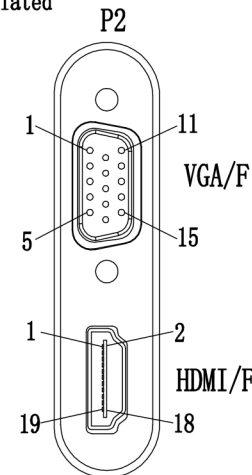
Black PVC Model

B11 B10 B8 A5 B5 B3 B2 VBUS A11 A10 A8 A7 A6 A3 A2 GND



☆AG9320

Space grey Metal shell



				DESCRIPTION	FINISHED PRODUCT'S FIGURE	SCALE	FIT	UNITS: MM	1RD ANGLE
				MODEL NO.		△			
APPROVED	CHECKED	DRAWING	DESIGNED	DRAWING NO.	256-046	△			
				FINISHING		△	2020/6/13		A1
				MATERIAL		SYM	DATE		REVISION

QR-025 2007.05.03, A1