

# 60W EU Wall Plug Adapter

## 15V DC, 4A

**multicomp** PRO

**RoHS  
Compliant**



### Features

- European Fixed AC Head
- Level VI Efficiency
- CE Approved

### Description

Class II 60 Watt AC/DC European plug-in power supplies provide 60 Watts of continuous power in a compact fixed wall plug enclosure suitable for use in many general power applications.

### Specifications

Input Voltage Range	90V AC to 264V AC
Input Frequency Range	47Hz to 63Hz
Input Current Rated	1.5A max.
Output Voltage Rating	+15V
Output Current Range	4A
Output Min Current	0A
Output Connection Type	2.1mm × 5.5mm × 12mm Centre Positive – Straight
Total Output Regulation	±5%
Line and Load Regulation	±5%
Ripple & Noise	200mVp-p
Efficiency	88% Min
Over Load Protection	>4.8A with self-recovery function
Short Circuit Protection	No damage, self-recovery
Operating Temperature	0°C to +40°C
Storage Temperature	-20°C to +80°C
Operating Humidity	10% to 90%
Storage Humidity	5% to 95%
Hi-Pot	3000V AC 10mA 1min
Leakage Current	0.25mA max
Safety Standard	CE (EN60950-1)
EMI Standard	EN55032 EN61000-3-2
MTBF	50K Hours
Size mm max.	117(L) × 50.3(W) × 33.5(H)
Weight	280 g
Regulator Type	Switched Mode Power Supply

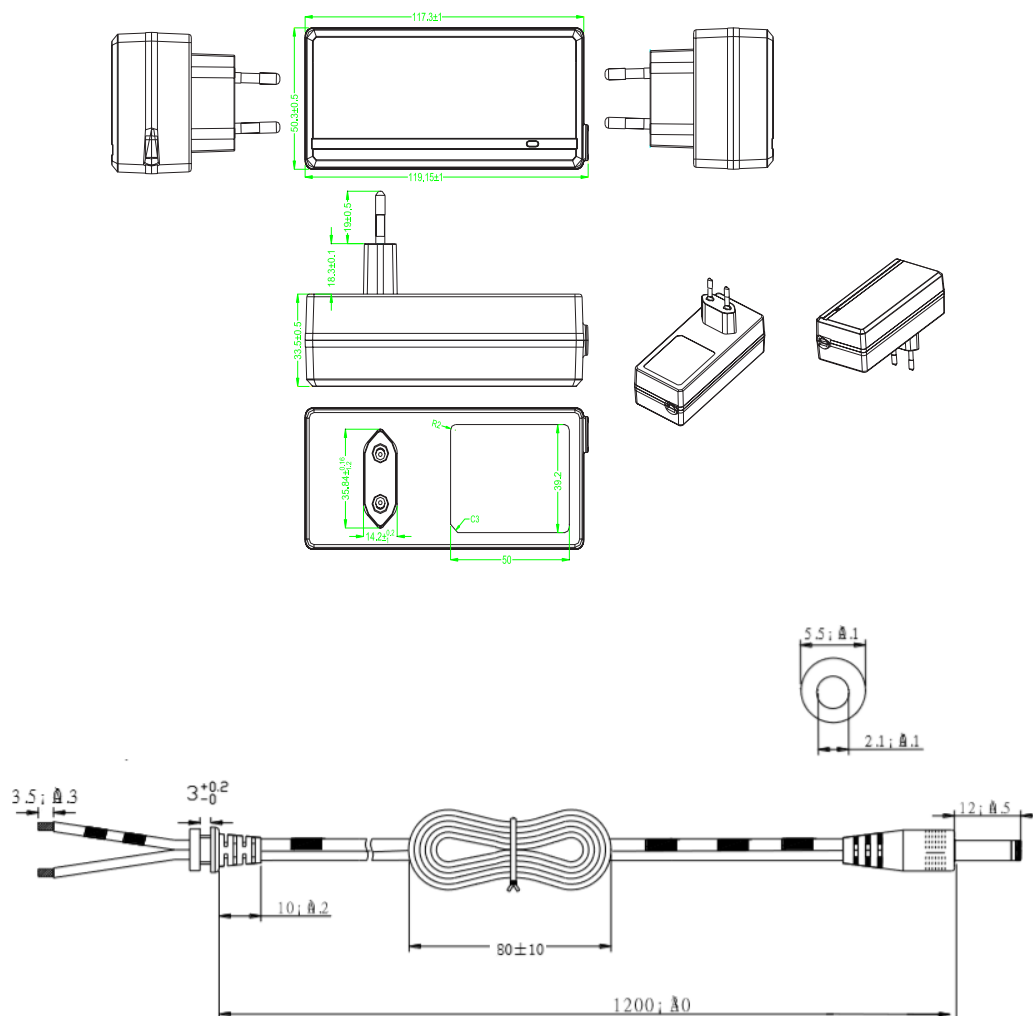
Newark.com/multicomp-pro  
Farnell.com/multicomp-pro  
Element14.com/multicomp-pro

**multicomp** PRO

# 60W EU Wall Plug Adapter 15V DC, 4A

**multicomp** PRO

## Diagram



Dimensions : Millimetres

## Part Number Table

Description	Part Number
Wall Plug Adapter, 60W, 15V DC, 4A, EU Plug	MP004772

**Important Notice :** This data sheet and its contents (the "Information") belong to the members of the AVNET group of companies (the "Group") or are licensed to it. No licence is granted for the use of it other than for information purposes in connection with the products to which it relates. No licence of any intellectual property rights is granted. The Information is subject to change without notice and replaces all data sheets previously supplied. The Information supplied is believed to be accurate but the Group assumes no responsibility for its accuracy or completeness, any error in or omission from it or for any use made of it. Users of this data sheet should check for themselves the Information and the suitability of the products for their purpose and not make any assumptions based on information included or omitted. Liability for loss or damage resulting from any reliance on the Information or use of it (including liability resulting from negligence or where the Group was aware of the possibility of such loss or damage arising) is excluded. This will not operate to limit or restrict the Group's liability for death or personal injury resulting from its negligence. Multicomp Pro is the registered trademark of Premier Farnell Limited 2019.

Newark.com/multicomp-pro  
Farnell.com/multicomp-pro  
Element14.com/multicomp-pro

**multicomp** PRO