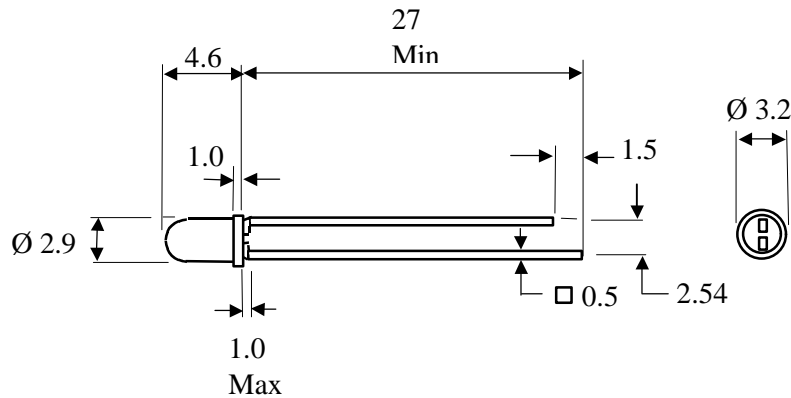


Type	Size	Description	Part No.
LED	T3 (T-1)	VL-934 series resistored LED	(see table)



Drawing Not To Scale  
All Dimensions In mm

#### PERFORMANCE DATA

Farnell Part No.	SLI Part No.	Test Volts	Chip material	$\lambda_{\text{dom}}$ (nm)	Lens Type	Min. $I_v$ (mcd)	Viewing Angle	$I_F$ (mA)
595305	VL-934-ID-5V	5	GaAsP/GaP	625	Red Diffused	8	60°	12
595317	VL-934-ID-12V	12	GaAsP/GaP	625	Red Diffused	8	60°	11
595380	VL-934-SRD-5V	5	GaAlAs	640	Super Red Diffused	70	60°	13
595342	VL-934-YD-5V	5	GaAsP/GaP	588	Yellow Diffused	8	60°	12
595354	VL-934-YD-12V	12	GaAsP/GaP	588	Yellow Diffused	8	60°	12
595329	VL-934-GD-5V	5	GaP	568	Green Diffused	8	60°	12
595330	VL-934-GD-12V	12	GaP	568	Green Diffused	8	60°	11
595366	VL-934-SGD-5V	5	GaP	568	Green Diffused	12.5	60°	12
595378	VL-934-SGD-12V	12	GaP	568	Green Diffused	12.5	60°	11

#### NOTES:

- 1) Power dissipation (all types): 310mW
- 2) Reverse current (all types): 10 $\mu$ A.
- 3) Peak forward current[0.1ms pulse; 1/10 duty cycle]: 150mA all types excepting VL-934 SRD (200mA).
- 4) Storage and operating temperatures: -40°C to 85°C
- 5) Lead soldering time at 260°C (4mm below epoxy base): 5 seconds.