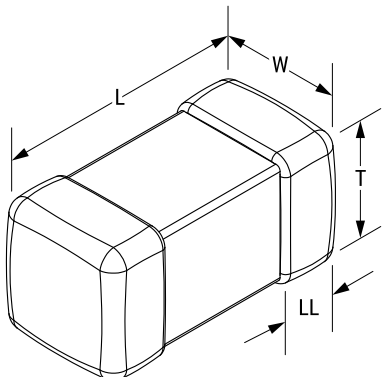


KEMET, Z-PWZ, Ferrite Beads, Noise Suppression, 32 mOhms



Dimensions	
Chip Size	0805
L	2mm +/-0.2mm
W	1.25mm +/-0.2mm
T	0.85mm +/-0.2mm
B	0.5mm +/-0.3mm

Packaging Specifications	
Packaging:	T&R
Packaging Quantity:	4000

General Information	
Series:	Z-PWZ
Style:	SMD Chip
Description:	Chip Bead, Power Line
Features:	For MHz Range Applications
RoHS:	Yes

Specifications	
Impedance:	120 Ohms (100 mHz)
Impedance Tolerance:	25%
Ripple Current:	2500 mA (MAX)
Temperature Range:	-40/+125°C
Resistance:	0.032 Ohms