

End clamp - E/ME TBUS NS35 GY - 2713780


Please be informed that the data shown in this PDF Document is generated from our Online Catalog. Please find the complete data in the user's documentation. Our General Terms of Use for Downloads are valid (<http://phoenixcontact.com/download>)



End clamp, stable construction for DIN rail bus connector



Key Commercial Data

Packing unit	50 pc
GTIN	 4 017918 943493
GTIN	4017918943493
Weight per Piece (excluding packing)	12.760 g
Custom tariff number	85472000
Country of origin	Germany

Technical data

General

Housing type	DIN rail housing
Housing material	Polyamide
Color (RAL)	gray

Standards and Regulations

Flammability rating according to UL 94	V0
--	----

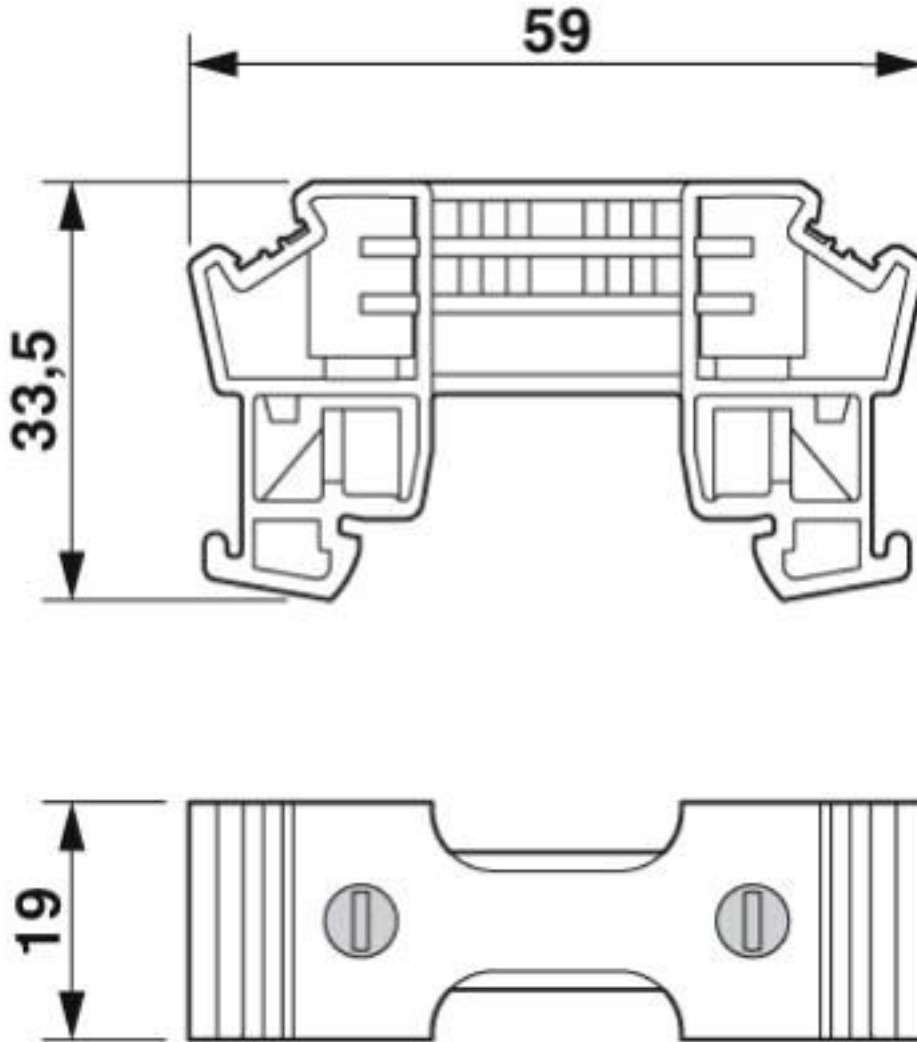
Environmental Product Compliance

China RoHS	Environmentally friendly use period: unlimited = EFUP-e
	No hazardous substances above threshold values

Drawings

End clamp - E/ME TBUS NS35 GY - 2713780

Dimensional drawing



Classifications

eCl@ss

eCl@ss 10.0.1	27141135
eCl@ss 4.0	27180400
eCl@ss 4.1	27180400
eCl@ss 5.0	27141100
eCl@ss 5.1	27180500
eCl@ss 6.0	27141100
eCl@ss 7.0	27141135
eCl@ss 8.0	27141135
eCl@ss 9.0	27141135

End clamp - E/ME TBUS NS35 GY - 2713780

Classifications

ETIM

ETIM 2.0	EC001031
ETIM 3.0	EC001031
ETIM 4.0	EC001031
ETIM 5.0	EC001041
ETIM 6.0	EC001041
ETIM 7.0	EC001041

UNSPSC

UNSPSC 6.01	31261501
UNSPSC 7.0901	31261501
UNSPSC 11	31261501
UNSPSC 12.01	31261501
UNSPSC 13.2	39121425
UNSPSC 18.0	39121425
UNSPSC 19.0	39121425
UNSPSC 20.0	39121425
UNSPSC 21.0	39121425

Approvals

Approvals

Approvals

UL Recognized / EAC

Ex Approvals

Approval details

UL Recognized		http://database.ul.com/cgi-bin/XYV/template/LISEXT/1FRAME/index.htm	FILE E 240868
---------------	--	---	---------------

EAC		B.01742
-----	--	---------