

## DIN rail bus connectors - PSR-TBUS-TP - 2981716

Please be informed that the data shown in this PDF Document is generated from our Online Catalog. Please find the complete data in the user's documentation. Our General Terms of Use for Downloads are valid (<http://phoenixcontact.com/download>)

Blind plug for the PSR-TBUS DIN rail connector used with the modular safety relay system (PSR-SDC4)




### Your advantages

- Connector plugs for TBUS system



### Key Commercial Data

Packing unit	50 pc
GTIN	 4 046356 099820
GTIN	4046356099820
Weight per Piece (excluding packing)	4.570 g
Custom tariff number	85366990
Country of origin	Germany

### Technical data

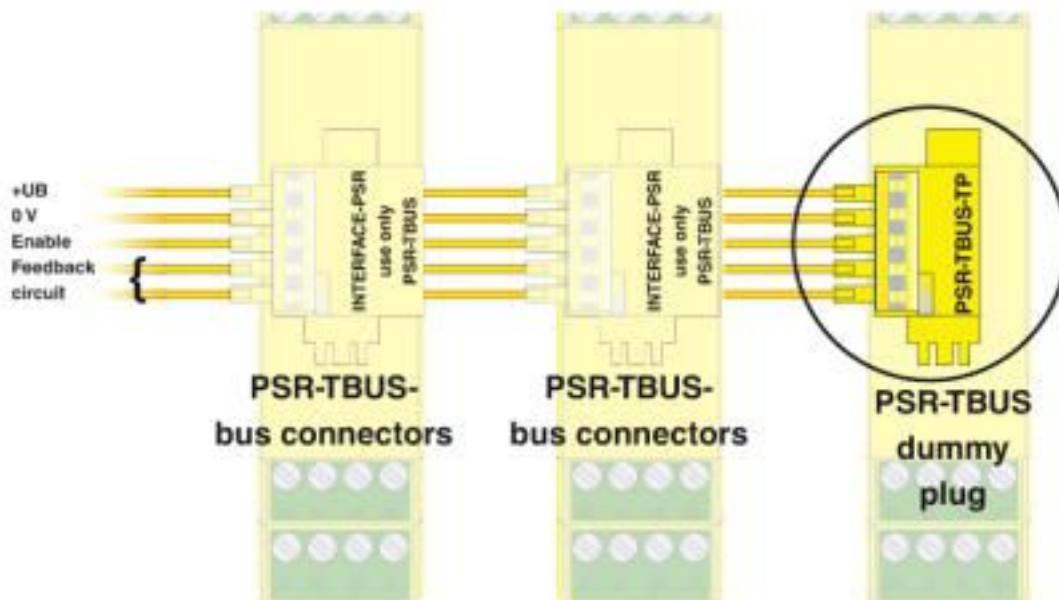
#### Environmental Product Compliance

China RoHS	Environmentally friendly use period: unlimited = EFUP-e
	No hazardous substances above threshold values

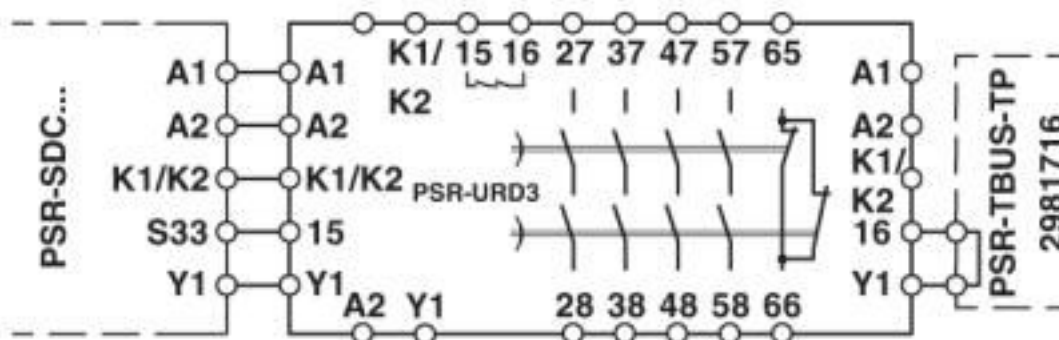
### Drawings

# DIN rail bus connectors - PSR-TBUS-TP - 2981716

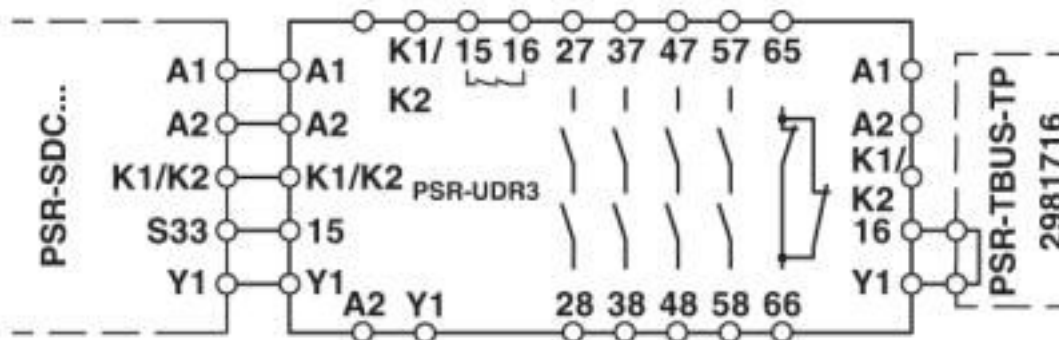
Connection diagram



Circuit diagram



Circuit diagram



# DIN rail bus connectors - PSR-TBUS-TP - 2981716

## Classifications

### eCl@ss

eCl@ss 10.0.1	27240692
eCl@ss 4.0	40020600
eCl@ss 4.1	40020600
eCl@ss 5.0	27371900
eCl@ss 5.1	27371900
eCl@ss 6.0	27249200
eCl@ss 7.0	27249290
eCl@ss 8.0	27249290
eCl@ss 9.0	27240692

### ETIM

ETIM 2.0	EC001449
ETIM 3.0	EC001449
ETIM 4.0	EC001449
ETIM 5.0	EC002584
ETIM 6.0	EC002584
ETIM 7.0	EC002584

### UNSPSC

UNSPSC 6.01	30211901
UNSPSC 7.0901	39121501
UNSPSC 11	39121501
UNSPSC 12.01	39121501
UNSPSC 13.2	39121552
UNSPSC 18.0	39121552
UNSPSC 19.0	39121552
UNSPSC 20.0	39121552
UNSPSC 21.0	39121552

## Approvals

### Approvals

---

Approvals

EAC

---

Ex Approvals

---

### Approval details

## DIN rail bus connectors - PSR-TBUS-TP - 2981716

### Approvals

EAC



B.01742