

Front plate - ECS-P-122X169-S-UV1-2PV - 1143769

Please be informed that the data shown in this PDF Document is generated from our Online Catalog. Please find the complete data in the user's documentation. Our General Terms of Use for Downloads are valid (<http://phoenixcontact.com/download>)

ECS family faceplate, ready for integration of one SUNCLIX PV-FT-C3 male and female connectors, screw locking, rated IP66/67/69 when combined with ECS housing, Color: Black (9005), Width: 163 mm, Height: 30 mm, Depth: 62 mm




Your advantages

- ✓ Effective protection of electronics against thermal and mechanical influences
- ✓ Housing design supports the installation of a range of PCB thicknesses for high application diversity
- ✓ Optional pressure compensation membrane for fluctuating ambient pressure
- ✓ Optional accessories for wall and mast mounting



Key Commercial Data

Packing unit	1
GTIN	 4 063151 130930
GTIN	4063151130930
Custom tariff number	85389099

Technical data

Item properties

Type	ECS-P-122X169-S-UV1-2PV
Order No.	1143769
Housing type	outdoor housings
Type	Screw locking
Impact strength	IK08
Mounting type	Screw locking
Type of locking	screw locking

Measurements

Width [w]	163 mm
Height [h]	30 mm
Depth [d]	62 mm

Front plate - ECS-P-122X169-S-UV1-2PV - 1143769

Technical data

Material specifications

Flammability rating according to UL 94	V0
Housing material	PC (polycarbonate)

PCB data

Number of PCB holders	1
PCB thickness	1.59 mm ... 2.36 mm

Packaging information

Pieces per package	5
Denomination packing units	Pcs.

Standards and regulations

Flammability rating according to UL 94	V0
--	----

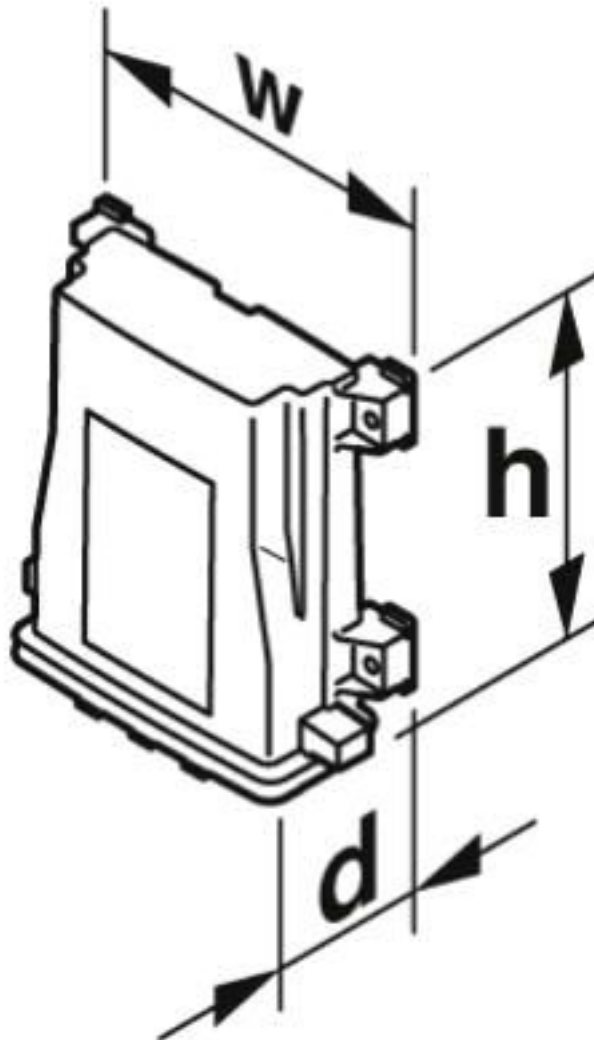
Environmental Product Compliance

REACH SVHC	Lead 7439-92-1
------------	----------------

Drawings

Front plate - ECS-P-122X169-S-UV1-2PV - 1143769

Dimensional drawing



Classifications

eCl@ss

eCl@ss 10.0.1	27182702
eCl@ss 8.0	27182702
eCl@ss 9.0	27182702

ETIM

ETIM 5.0	EC000058
----------	----------