

# 4mm Banana Test Connectors **multicomp**PRO

RoHS  
Compliant



MP770523



MP770525



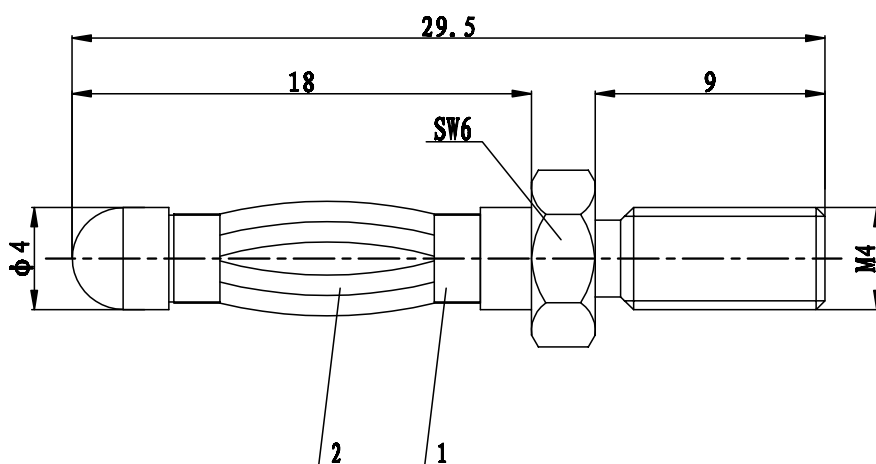
MP770527

## Specification

Material	Plating	Withdrawal Force	Max Temperature	Rated Current	Contact Resistance	Part Number
Brass	Gold	5 N	150°C	50A	0.3 mohms	MP770523
	Nickel				0.8 mohms	MP770524
	Gold	8 N			0.3 mohms	MP770525
	Nickel	12 N			0.8 mohms	MP770526
	Gold	5 N			0.3 mohms	MP770527
	Nickel				0.8 mohms	MP770528

## Drawing

MP770523 / MP770524



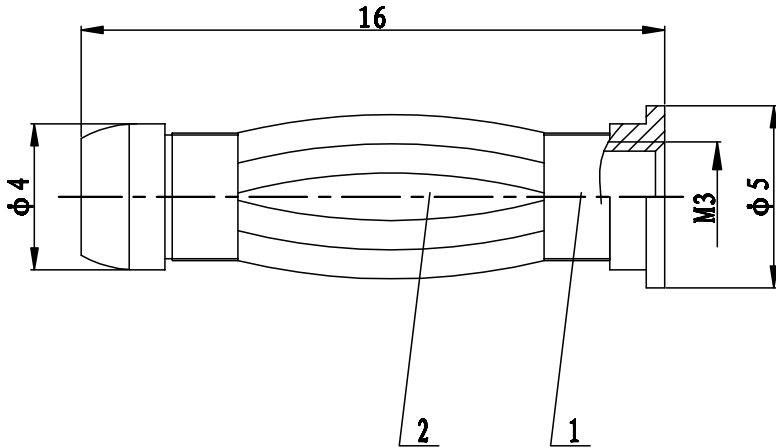
1 - Centre Contact  
2 - Reed

Dimensions : Millimetres

# 4mm Banana Test Connectors **multicomp**PRO

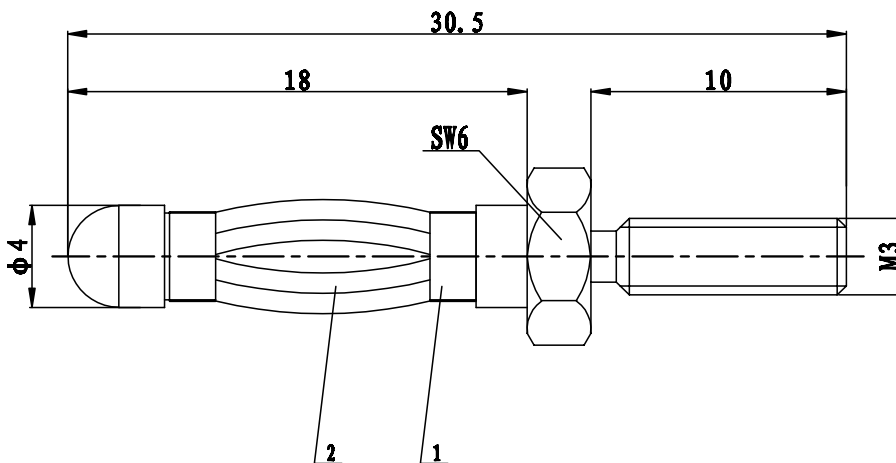
## Drawing

MP770525 / MP770526



1 - Centre Contact  
2 - Reed

MP770527 / MP770528



1 - Centre Contact  
2 - Reed

## Part Number Table

Description	Part Number
4mm Banana Test Connector, 29.5mm, Gold Plating	MP770523
4mm Banana Test Connector, 29.5mm, Nickel Plating	MP770524
4mm Banana Test Connector, 16mm, Gold Plating	MP770525
4mm Banana Test Connector, 16mm, Nickel Plating	MP770526
4mm Banana Test Connector, 30.5mm, Gold Plating	MP770527
4mm Banana Test Connector, 30.5mm, Nickel Plating	MP770528

**Important Notice :** This data sheet and its contents (the "Information") belong to the members of the AVNET group of companies (the "Group") or are licensed to it. No licence is granted for the use of it other than for information purposes in connection with the products to which it relates. No licence of any intellectual property rights is granted. The Information is subject to change without notice and replaces all data sheets previously supplied. The Information supplied is believed to be accurate but the Group assumes no responsibility for its accuracy or completeness, any error in or omission from it or for any use made of it. Users of this data sheet should check for themselves the Information and the suitability of the products for their purpose and not make any assumptions based on information included or omitted. Liability for loss or damage resulting from any reliance on the Information or use of it (including liability resulting from negligence or where the Group was aware of the possibility of such loss or damage arising) is excluded. This will not operate to limit or restrict the Group's liability for death or personal injury resulting from its negligence. Multicomp Pro is the registered trademark of Premier Farnell Limited 2019.

Newark.com/multicomp-pro  
Farnell.com/multicomp-pro  
Element14.com/multicomp-pro

**multicomp**PRO