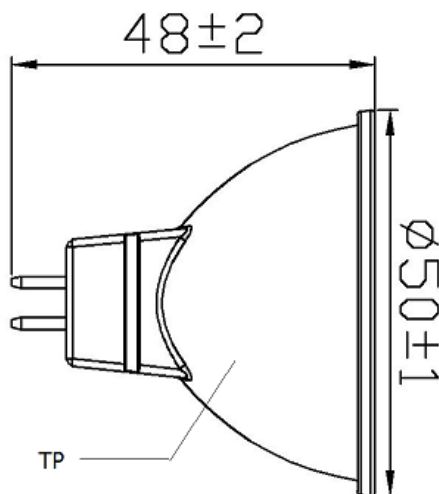




**DIMENSIONS (mm):**

Energy Class : **A+**



Bulb type : MR16  
Cap type : GU5.3

Finish : White  
Light Colour : 830 Warm White

<b><u>ELECTRICAL DATA:</u></b>		<b>RATED</b>	<b>MIN.</b>	<b>MAX.</b>
Lamp Wattage	(W) :	7.5	-	8.3
Lamp Voltage	(V) :	12	10.8	13.2
Lamp Current	(mA) :	1082		
Power Factor	(λ) :	0.5		
Supply Frequency	(Hz) :	DC / 50 / 60 / HF		
Energy Consumption per 1000h	(kW/h) :	8.0		

<b><u>PHOTOMETRIC DATA:</u></b>				
Beam Angle	(°) :	36	27	45
Luminous Intensity	(cd) :	1200	900	1500
Useful Luminous Flux	(lm) :	621	559	-
Useful Luminous Efficacy	(lm/W) :	83		
Correlated Colour Temperature	(K) :	3000		
Colour Rendering Index	(Ra) :	80	77	-
Red Colour Rendition	(R9) :	10	0	
Chromaticity Co-ordinates	(x,y) :	CCx=0.4339 CCy=0.4032	6-step MacAdam Ellipse	

<b><u>OPERATING CONDITIONS:</u></b>				
Ta Ambient temperature range	(°C) :	25	-20	40
Tp Point	(°C) :	85	-	-
Starting Time	(s) :	-	-	0.5
Warm-up time to >95% Flux	(s) :	-	-	2.0
Inrush Current	(A) :	3.70		
Inrush Duration	(µs) :	4600		
Burning position	:	Universal		
Control Gear	:	Integrated Electronic		

<b><u>LAMP LIFE:</u></b>			
Average Life (L <sub>70</sub> F <sub>50</sub> )	(h) :	15,000	
Switching Cycles	(#) :	50,000	

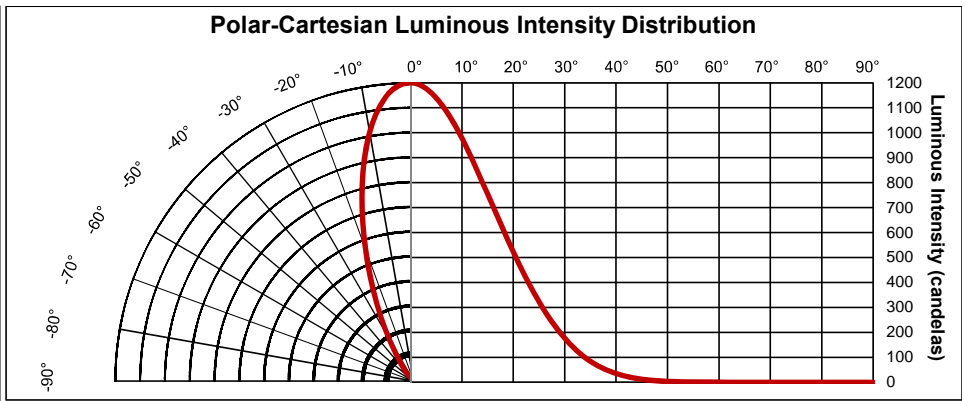
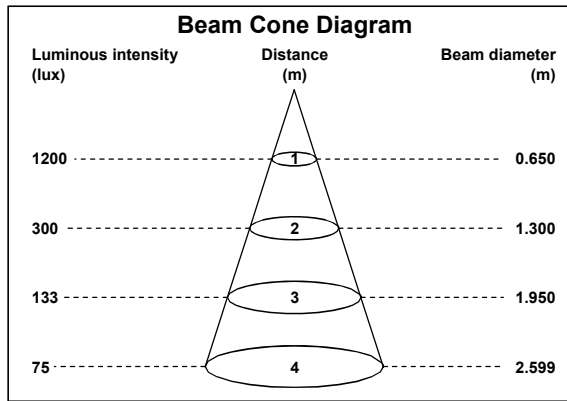
**APPLICATION:** General lighting. Not suitable for use in totally enclosed luminaires.  
Broad compatibility with high frequency electronic transformers. Complies with IEC62560, IEC62612, IEC62471, IEC61547, IEC61000, EN55015, EN62493.

Issued by : GUANGZHOU  
Date : 22-I-2019  
Revision date :

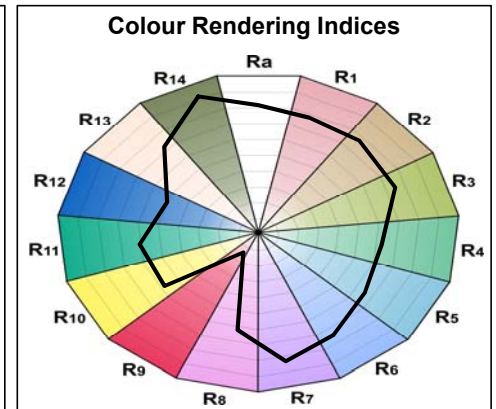
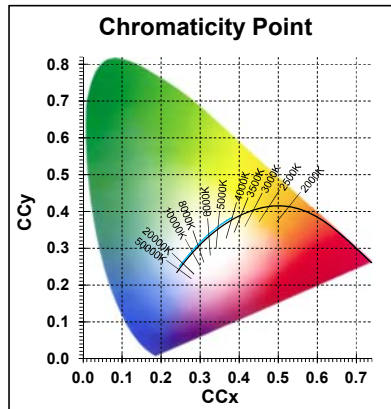
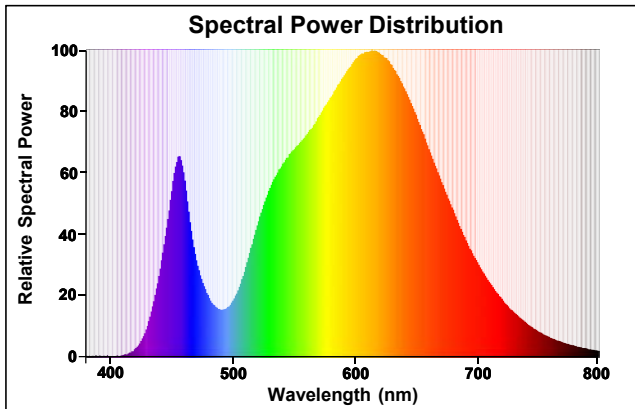
**DATA SHEET**

Spec No. : AEC\_L-LED-R16-0026764  
Supersedes :  
Page : 1 of 2

**PHOTOMETRIC GRAPHICS:**



**SPECTRAL GRAPHICS:**



Issued by : GUANGZHOU  
Date : 22-I-2019  
Revision date :

**DATA SHEET**

Spec No. : AEC\_L-LED-R16-0026764  
Supersedes :  
Page : 2 of 2