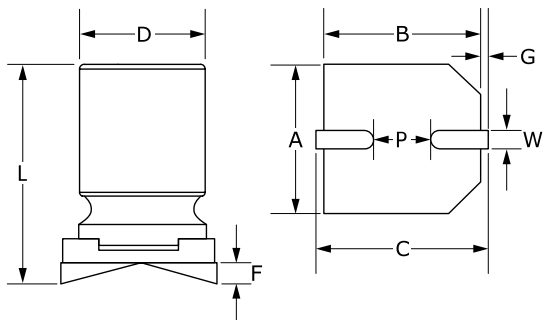


A768, Polymer Aluminum, 270 uF, 20%, 40 VDC, -55/+125°C



General Information	
Series:	A768
Dielectric:	Polymer Aluminum
Style:	SMD Can
Description:	Surface Mount, Polymer Aluminum
RoHS:	Yes
Lead:	V-Chip
Qualifications:	AEC-Q200
AEC-Q200:	Yes
Halogen Free:	Yes

Dimensions	
D	10mm +/-0.5mm
L	12.4mm +/-0.5mm
W	0.7 - 1.1mm
F	0.2mm MAX
A	10.3mm +/-0.2mm
B	10.8mm +/-0.2mm
C	11mm +/-0.2mm
G	0.35mm +/-0.2mm
P	3.2mm NOM

Specifications	
Capacitance:	270 uF
Capacitance Tolerance:	20%
Voltage DC:	40 VDC, 46 VDC (Surge)
Temperature Range:	-55/+125°C
Rated Temperature:	125°C
Life:	2000 Hrs
Resistance:	22 mOhms (100kHz 20C)
Ripple Current:	2200 mAmps (100kHz 125C)
High Temperature Solder:	No

Packaging Specifications	
Packaging:	T&R, 380mm
Packaging Quantity:	400