

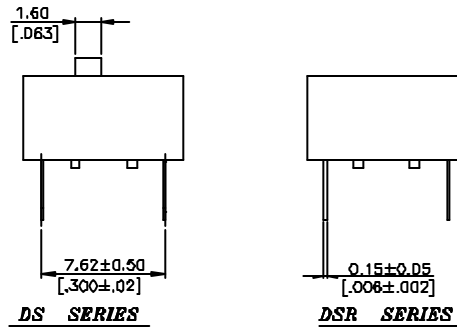
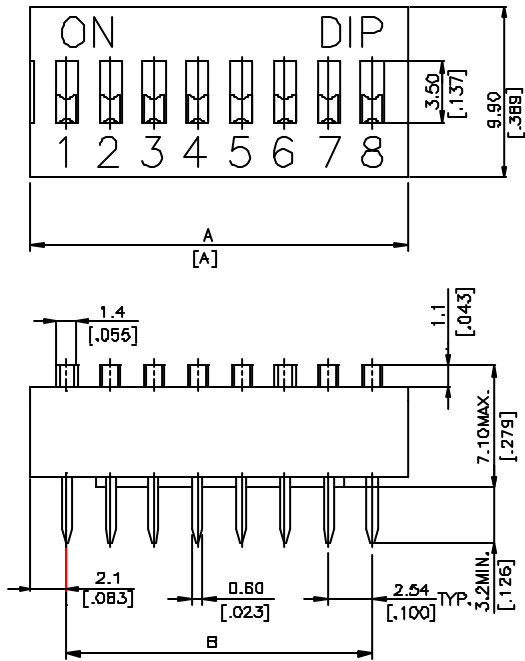


DIPTRONICS MANUFACTURING INC.

DS,DP,DA SERIES

DIMENSIONS

DS(R)

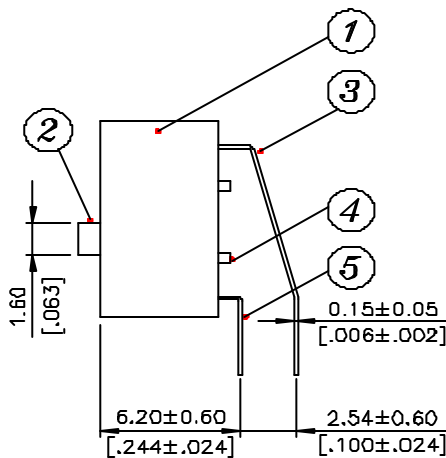
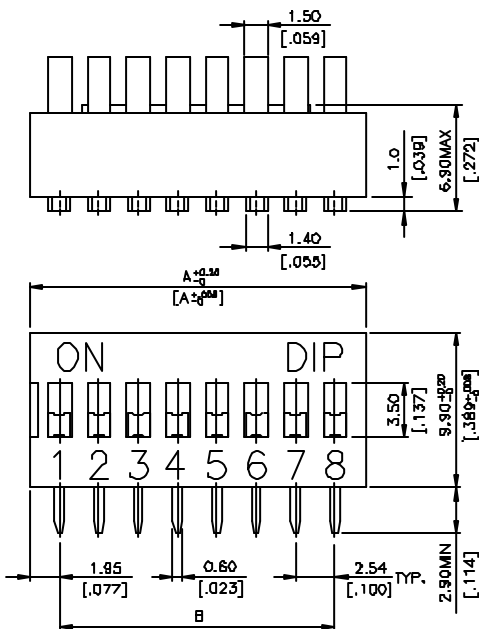


PROD. NO.	NO. OF PINS	DIM. A	DIM. B
DS-12 DSR-12	12	31.84[1.254]	27.94[1.100]
DS-10 DSR-10	10	28.78[1.054]	22.86[.900]
DS-09 DSR-09	9	24.22[.954]	20.32[.800]
DS-08 DSR-08	8	21.68[.854]	17.78[.700]
DS-07 DSR-07	7	19.14[.754]	15.24[.600]
DS-06 DSR-06	6	16.60[.654]	12.70[.500]
DS-05 DSR-05	5	14.06[.554]	10.16[.400]
DS-04 DSR-04	4	11.52[.454]	7.62[.300]
DS-03 DSR-03	3	8.98[.354]	5.08[.200]
DS-02 DSR-02	2	6.44[.254]	2.54[.100]

SCHEMATIC(TYP.)

(2,3,4,5,6,7,8,9,10,12, POS AVAIL)

DA

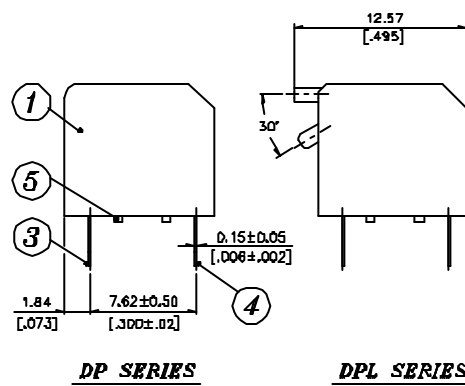
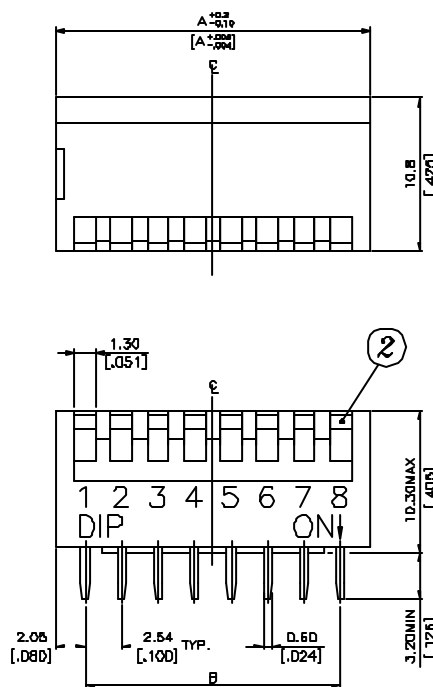


PROD. NO.	NO. OF PINS	DIM. A	DIM. B
DA-12	12	31.84[1.254]	27.94[1.100]
DA-10	10	28.78[1.054]	22.86[.900]
DA-09	9	24.22[.954]	20.32[.800]
DA-08	8	21.68[.854]	17.78[.700]
DA-07	7	19.14[.754]	15.24[.600]
DA-06	6	16.60[.654]	12.70[.500]
DA-05	5	14.06[.554]	10.16[.400]
DA-04	4	11.52[.454]	7.62[.300]
DA-03	3	8.98[.354]	5.08[.200]
DA-02	2	6.44[.254]	2.54[.100]

SCHEMATIC(TYP.)

(2,3,4,5,6,7,8,9,10,12, POS AVAIL)

DP(L)

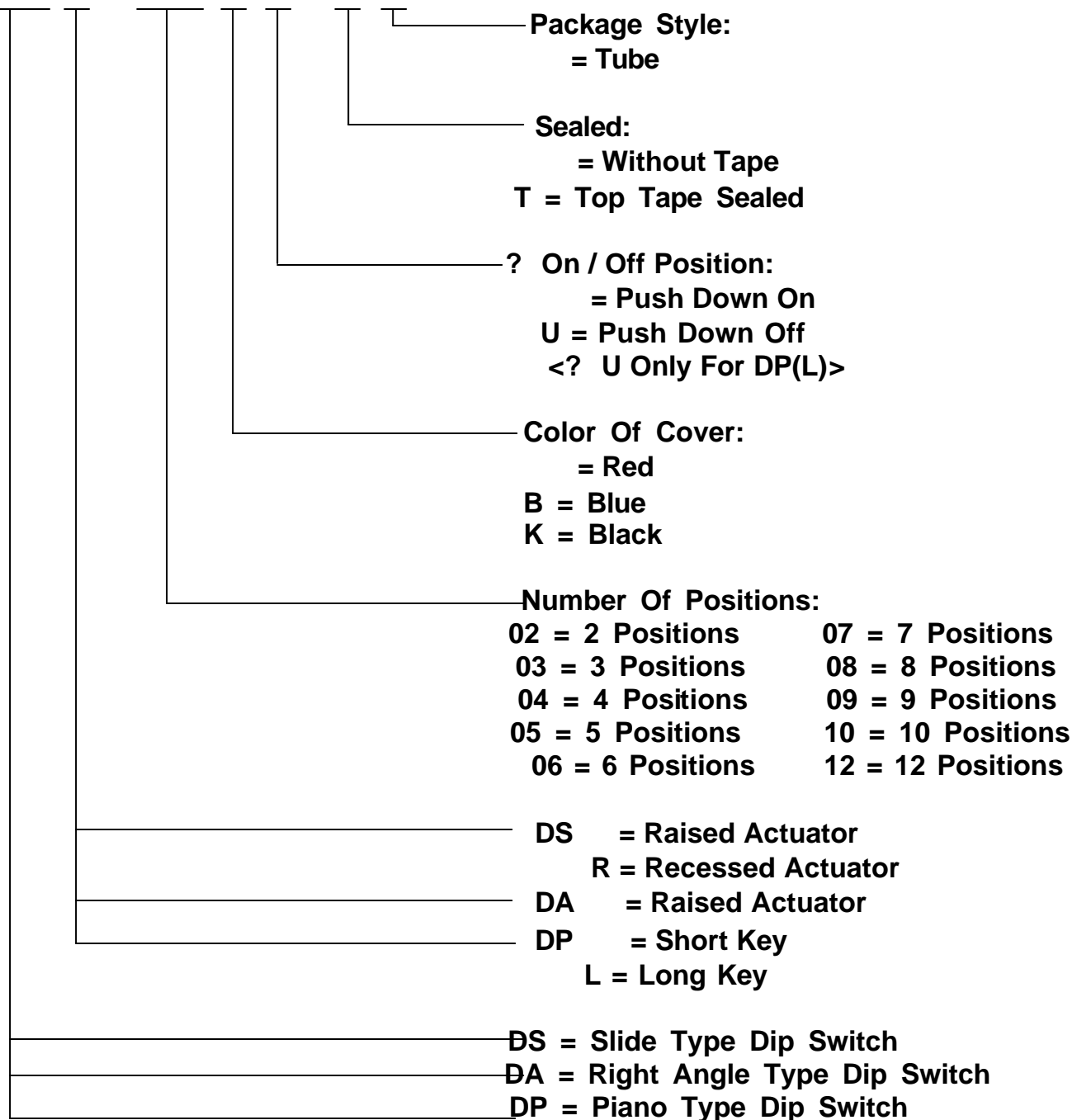


PROD. NO.	NO. OF PINS	DIM. A	DIM. B
DP-12 DPL-12	12	32.04[1.261]	27.94[1.100]
DP-10 DPL-10	10	28.98[1.101]	22.86[.900]
DP-09 DPL-09	9	24.42[.961]	20.32[.800]
DP-08 DPL-08	8	21.88[.861]	17.78[.700]
DP-07 DPL-07	7	19.34[.761]	15.24[.600]
DP-06 DPL-06	6	16.80[.661]	12.70[.500]
DP-05 DPL-05	5	14.26[.561]	10.16[.400]
DP-04 DPL-04	4	11.72[.461]	7.62[.300]
DP-03 DPL-03	3	9.18[.361]	5.08[.200]
DP-02 DPL-02	2	6.64[.261]	2.54[.100]

SCHEMATIC(TYP.)

(2,3,4,5,6,7,8,9,10,12, POS AVAIL)

HOW TO ORDER



SPECIFICATION

MECHANICAL

Mechanical Life: 2,000 cycles
 Operation Force: 400gf max. (DP Series)
 1,000gf max. (DS & DA Series)
 Stroke: 2.0mm
 Operation Temperature: -20 to +70
 Storage Temperature: -40 to +85

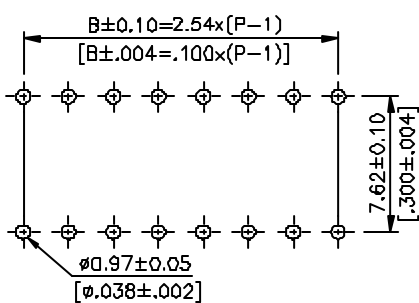
ELECTRICAL

Electrical Life: 2,000 cycles per switching rating
 Non-Switching Rating: 100mA , 50VDC
 Switching Rating: 25mA , 24VDC
 Contact Resistance: 50mO max. at initial
 Insulation Resistance: 100MO min. at 500VDC
 Dielectric Strength: 500VAC / 1 minute
 Circuit: SPST

MATERIALS

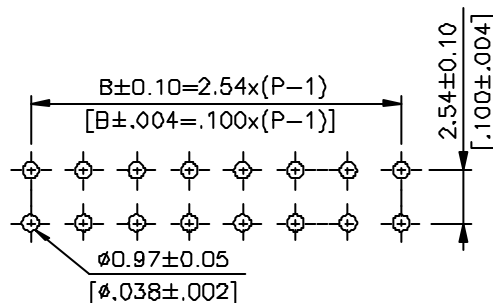
BASE: UL94V-0 PBT Thermoplastic
Color: Black
COVER UL94V-0 PBT Thermoplastic
Color: Red, Black, Blue
ACTUATOR: UL94V-0 PBT High Thermoplastic
Color: White
CONTACT: Phosphor bronze with gold plating over nickel
TOP SEAL: Polyester Film
POTTING MATERIAL: Epoxy

DS(R)



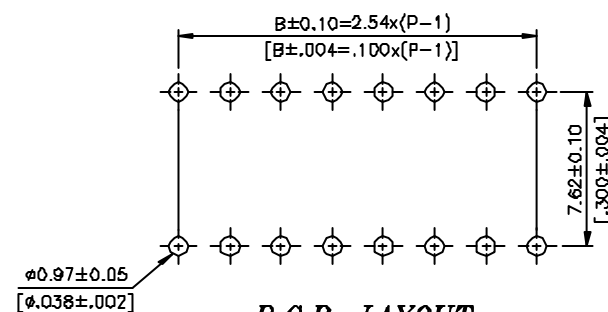
P.C.B. LAYOUT

DA



P.C.B. LAYOUT

DP(L)



P.C.B. LAYOUT

P.C.B LAYOUT

SOLDERING PROCESS

Keep all switch contacts in their "OFF" position for all operations.

WAVE SOLDERING: Recommended temperature at 500 (260) max. 5 seconds for through hole type.

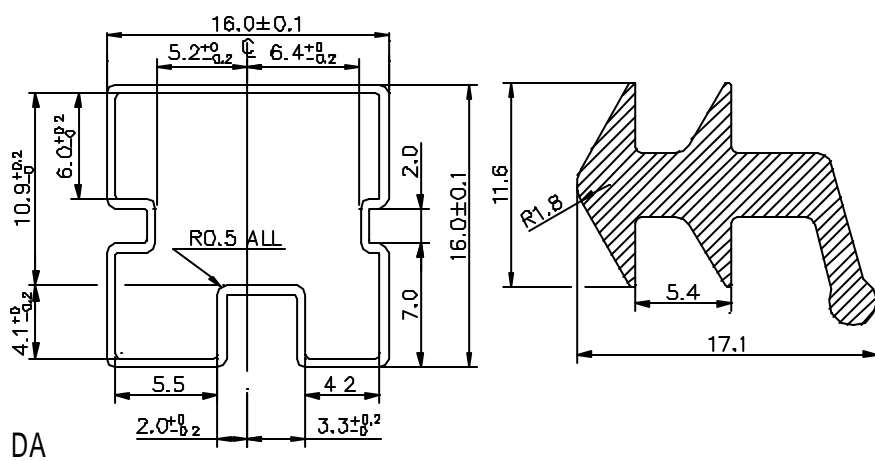
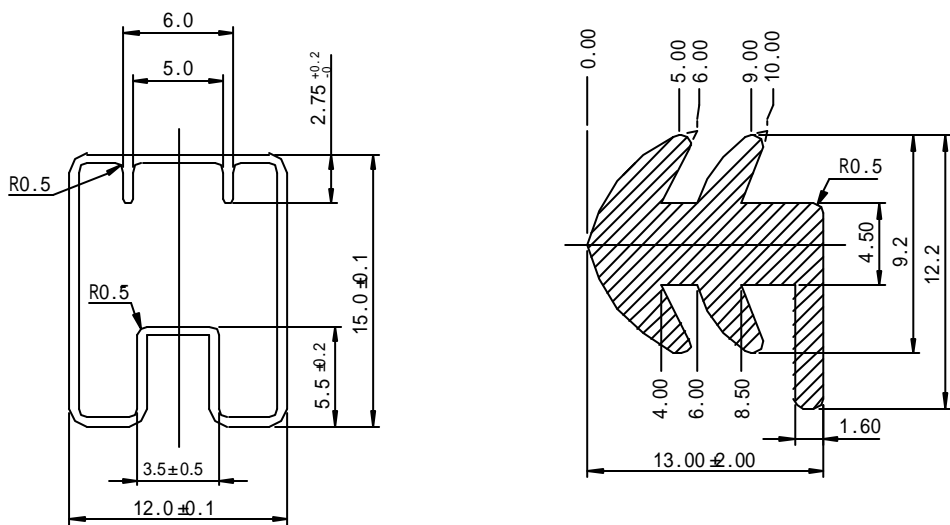
HAND SOLDERING: Use a soldering iron of 30 watts, controlled at 608 (320) approximately 2 seconds.

Make sure switch is in "OFF" position during soldering process, or it will decrease the operating force and meanwhile increase the contact resistance.

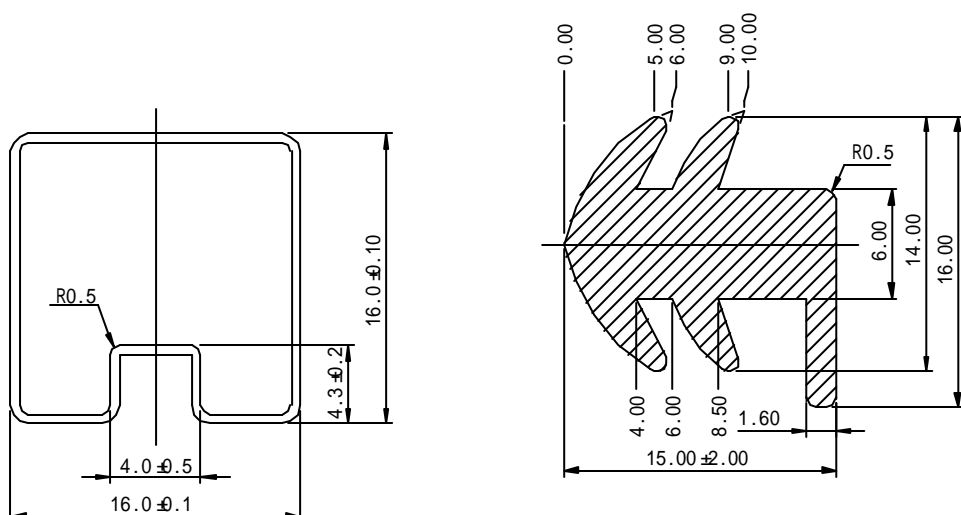
Do not wash the switch body except top tape sealed type, which suitable for spray cleaning method from top of the s/w.

PACKING

DS(R)



DA



Part Number	Number Per Tube	Part Number	Number Per Tube
DS-02	72	DS-02-T	70
DS-03	51	DS-03-T	50
DS-04	40	DS-04-T	39
DS-05	32	DS-05-T	32
DS-06	27	DS-06-T	28
DS-07	24	DS-07-T	24
DS-08	21	DS-08-T	21
DS-09	19	DS-09-T	19
DS-10	17	DS-10-T	17
DS-12	14	DS-12-T	14
DP-02	70	DP-02-T	65
DP-03	49	DP-03-T	48
DP-04	39	DP-04-T	39
DP-05	32	DP-05-T	32
DP-06	27	DP-06-T	25
DP-07	24	DP-07-T	24
DP-08	21	DP-08-T	21
DP-09	19	DP-09-T	19
DP-10	17	DP-10-T	17
DP-12	14	DP-12-T	14
DA-02	73	DA-02-T	70
DA-03	52	DA-03-T	50
DA-04	40	DA-04-T	39
DA-05	33	DA-05-T	32
DA-06	28	DA-06-T	28
DA-07	24	DA-07-T	24
DA-08	21	DA-08-T	21
DA-09	19	DA-09-T	19
DA-10	17	DA-10-T	17
DA-12	14	DA-12-T	14