

2337822-5 ✓ ACTIVE



## Ethernet Magnetics

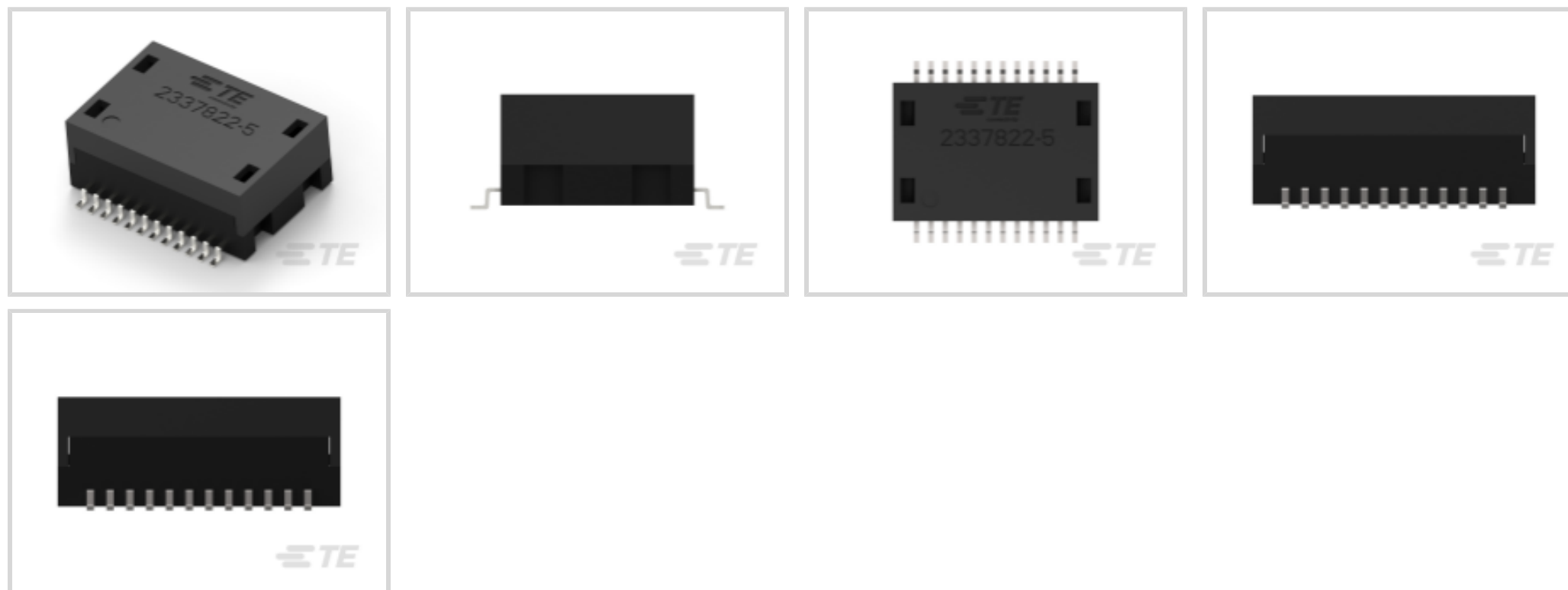
TE Internal #: 2337822-5

Ethernet Magnetics, Modular Jack Filters, 8-Pin Jack, 8, RJ45 Connector, PCB Mount, Filtered, Modular Jack Filter Shield Style

None

[View on TE.com >](#)

EMI Filters > Modular Jack Filters



Modular Jack Filter Type of Connector: **8-Pin Jack**

Number of Modular Jack Filter Contact Loaded: **8**

Input Type: **RJ45 Connector**

Modular Jack Filter Output Type: **PCB Mount**

Filtered: **Yes**

### Features

#### Product Type Features

Modular Jack Filter Type of Connector	8-Pin Jack
Input Type	RJ45 Connector
Modular Jack Filter Output Type	PCB Mount
Filtered	Yes
Ground Option	None

#### Body Features

Modular Jack Filter Shield Style	None
----------------------------------	------

#### Contact Features

Number of Modular Jack Filter Contact Loaded	8
--	---

#### Mechanical Attachment

Mount Style	Printed Circuit Board
-------------	-----------------------

### Product Compliance

[For compliance documentation, visit the product page on TE.com>](#)



EU RoHS Directive 2011/65/EU	Compliant
EU ELV Directive 2000/53/EC	Compliant
China RoHS 2 Directive MIIT Order No 32, 2016	No Restricted Materials Above Threshold
EU REACH Regulation (EC) No. 1907/2006	Current ECHA Candidate List: JAN 2020 (205) Candidate List Declared Against: JAN 2020 (205) Does not contain REACH SVHC
Halogen Content	Not Low Halogen - contains Br or Cl > 900 ppm.
Solder Process Capability	Reflow solder capable to 260°C

Product Compliance Disclaimer

This information is provided based on reasonable inquiry of our suppliers and represents our current actual knowledge based on the information they provided. This information is subject to change. The part numbers that TE has identified as EU RoHS compliant have a maximum concentration of 0.1% by weight in homogenous materials for lead, hexavalent chromium, mercury, PBB, PBDE, DBP, BBP, DEHP, DIBP, and 0.01% for cadmium, or qualify for an exemption to these limits as defined in the Annexes of Directive 2011/65/EU (RoHS2). Finished electrical and electronic equipment products will be CE marked as required by Directive 2011/65/EU. Components may not be CE marked. Additionally, the part numbers that TE has identified as EU ELV compliant have a maximum concentration of 0.1% by weight in homogenous materials for lead, hexavalent chromium, and mercury, and 0.01% for cadmium, or qualify for an exemption to these limits as defined in the Annexes of Directive 2000/53/EC (ELV). Regarding the REACH Regulation, the information TE provides on SVHC in articles for this part number is based on the latest European Chemicals Agency (ECHA) 'Guidance on requirements for substances in articles' posted at this URL: <https://echa.europa.eu/guidance-documents/guidance-on-reach>

### Compatible Parts




TE Model / Part # 1987236-1  
RJ45 CONNECTOR IP20 45 DEG.,  
INDUSTRIAL



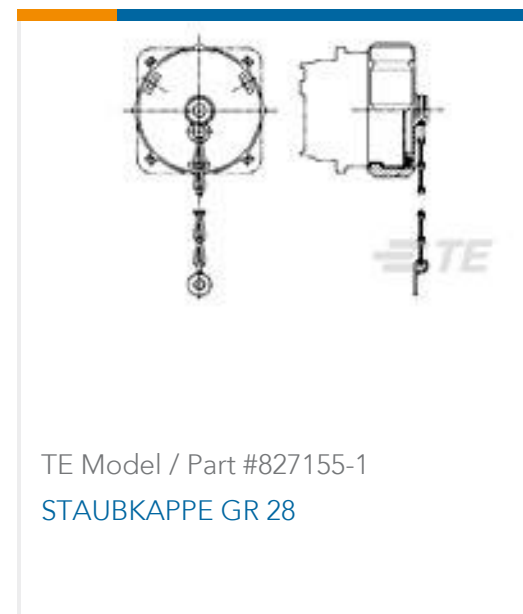
TE Model / Part # 1-406541-1  
MJ,INV,1X1,6PNL G.,.100"ST,SN

### Also in the Series | Ethernet Magnetics



Modular Jack Filters(29)

## Customers Also Bought



## Documents

### Product Drawings

[DISCR.ETH.MAG. 1GB SINGLE SMT POE](#)

English

### CAD Files

[3D PDF](#)

3D

Customer View Model

[ENG\\_CVM\\_CVM\\_2337822-5\\_A.2d\\_dxf.zip](#)

English

Customer View Model

[ENG\\_CVM\\_CVM\\_2337822-5\\_A.3d\\_igs.zip](#)

English

Customer View Model

[ENG\\_CVM\\_CVM\\_2337822-5\\_A.3d\\_stp.zip](#)

English

By downloading the CAD file I accept and agree to the [Terms and Conditions](#) of use.

### Datasheets & Catalog Pages

[DISCRETE MAGNETICS FOR INDUSTRIAL ETHERNET](#)

English

### Product Specifications

[Application Specification](#)

English

2337822-5

Ethernet Magnetics, Modular Jack Filters, 8-Pin Jack, 8, RJ45 Connector, PCB Mount, Filtered, Modular Jack Filter Shield Style None

