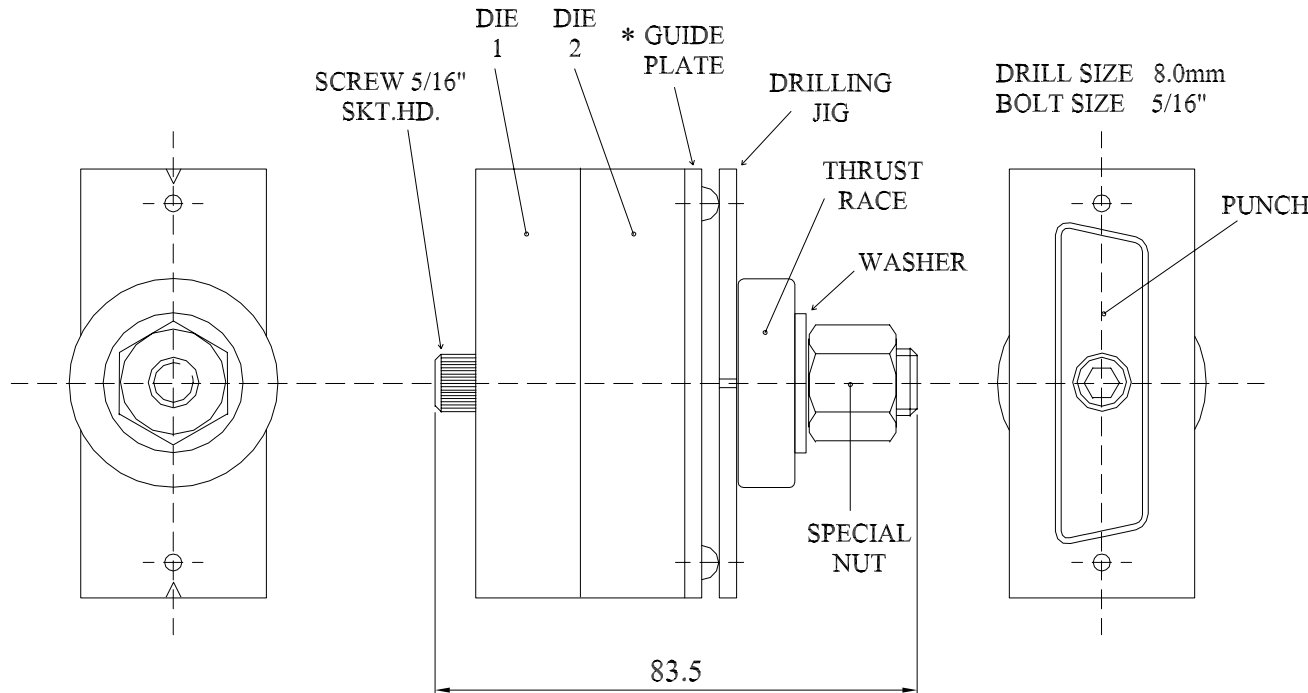


One of a range of 'D' Connector hole cutters in industry standard sizes, to be used by hand.
 Designed to punch burr-free holes in up to 1,6mm thick mild steel and up to 2,0mm thick aluminium
 The punch and die are case hardened and tempered. All items are finished chemically blacked, and are machined to close tolerances.

MATERIAL	
SCREW, 5/16"	: Mild Steel
DIE 1	: Mild Steel
DIE 2	: Mild Steel
GUIDE PLATE	: Mild Steel
DRILLING JIG	: Mild Steel
THRUST RACE	
WASHER, 5/16"	: Mild Steel
SPECIAL NUT	: Mild Steel

Dimensions



TYPE	ORDER CODE	
	FRONT SET	REAR SET
9 WAY	975-0010	976-0010
15 WAY	975-0020	976-0020
25 WAY	975-0030	976-0030
37 WAY	975-0040	976-0040
50 WAY	975-0050	976-0050

* No guide plate on 9 way or 15 way sets.

DrgNo 976 SERIES

TITLE HOLE CUTTER-'D' TYPE CONNECTORS

ALL DIMENSIONS IN MM
 ANGLES IN DECIMAL DEGREES

DELTRON Components

ISSUE 1

GENERAL SPECIFICATION
 FOR 976 SERIES

CUSTOMER

FILTER REF

Aprvd Date 10/02/03

Aprvd By MC

Drwn by BFS

Scale: NTS

Sheet 1 / 1