

SPECIFICATIONS

Material:HEXSEALS: Silicone rubber conforms to ZZ-R-765 Class III, GR 40 (unless otherwise specified)

Mounting Nut:HEXSEALS: Brass, nickel-plated

Temperature Range: HEXSEALS: -94°F to +400°F

Pressure Range: Exceeds 15 psi internal and 1500 psi external.
(N5032B: 10 psi)

Operational Life: 50,000 actuations (minimum).

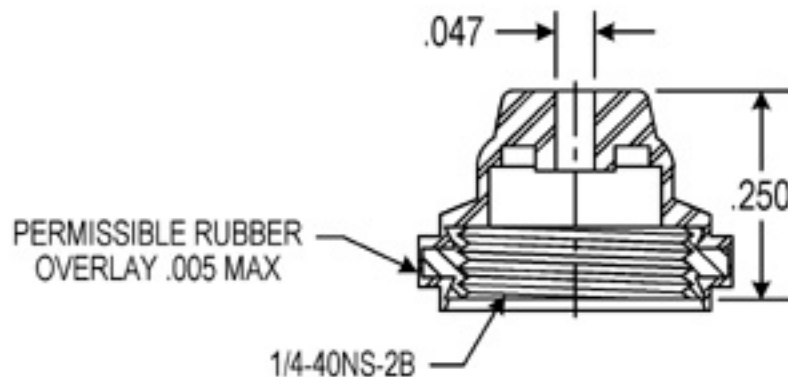
Shelf Life: Excess of 25 years.

Resistant to: Salt spray, sunlight, ozone, weather, fungus, and most acids and lubricating oils

Military Approvals: Most HEXSEALS are QPL-approved to MIL-B-5423.

Agency Recognition: E-SEELS and HEXSEALS are UL-listed to UL Std. 50 types 1-13, and meet CSA standards.

Installation: If a reducing adaptor is required – see page 14 of HEXSEAL catalog HEX200 for part numbers and drawing.



E	CAD COMPUTER GENERATED	9-23/02
D	REDRAWN	10-11-74
REV.	DESCRIPTION	DATE
MAXIMUM AND MINIMUM MEASUREMENTS ARE STATED DIRECTLY ON EACH DIMENSION.		
MAT'L: SILICONE RUBBER PER ZZ-R-765 CLIII GR40		ENG. 6-9-61
FINISH: GRAY		DWN. M.M. 6-9-61
APM-HEXSEAL CORPORATION		CHKD.
SCALE 4:1		DWG. NO. (N-5032B) HEXSEAL®

THIS DRAWING COVERS PROPRIETARY ITEM AND IS THE PROPERTY OF THE APM-HEXSEAL CORPORATION. THIS DRAWING IS NOT TO BE COPIED OR USED WITHOUT THE WRITTEN APPROVAL OF AN OFFICER OF THE APM-HEXSEAL CORPORATION.