

25

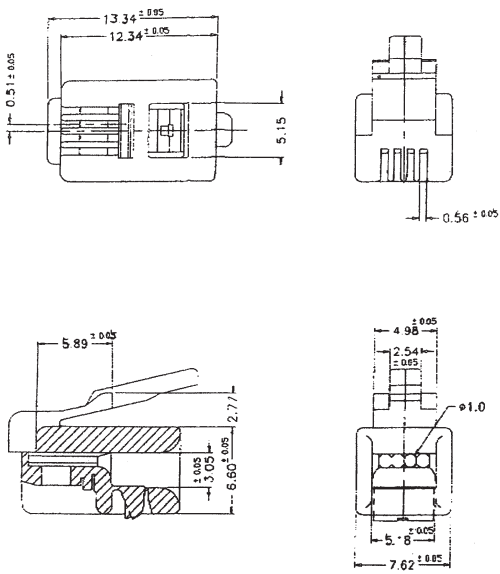
P 126

Modular connectors



Modular plug, 4p4c (RJ10), with locking latch, piercing technology

State: Active



Environmental conditions

Temperature range -40 °C/+125 °C

Materials

Insulating body PC, V-2 according to UL94
Contact CuSn, gold-plated

Connectable conductors for piercing area

Construction flat cable 1.02 mm

Electrical data (at T_{amb} 20 °C)

Rated current 2 A
Rated voltage ≤ 250 V
Rated impulse voltage 500 V
Insulation resistance 500 MΩ

Associated products

Counterparts

25

P 126

Harnessing equipment

[↗ ZP25-2](#)

[↗ ZP25-3](#)

25

P 126

Designation	Pole Number	PU (Pieces)	MDQ (Pieces)
P 126	4	1000	4000

Packaging:

in bulk, in a cardboard box or a plastic bag