

16

1636 01

Power supply connectors

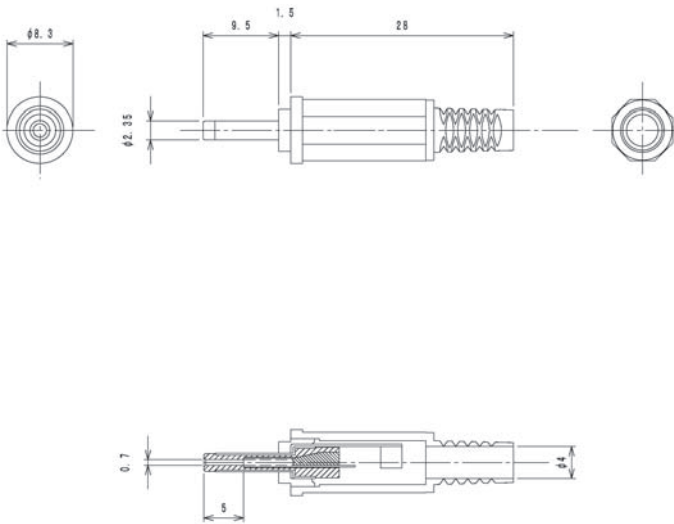


Power supply plug acc. to JEITA RC-5320A JSAP1, straight version, with solder eyes and bend protection

State: Active

16

1636 01



Environmental conditions

Temperature range -20 °C/+70 °C

Materials

Insulating body	POM
Contact	CuZn, nickel-plated
Housing	PP

Mechanical data

Outer diameter	2,35 mm
Inner diameter	0,7 mm

Connectable conductors for solder area

Cable diameter	4 mm
----------------	------

Electrical data (at T_{amb} 20 °C)

Rated current	2 A
Rated voltage	≤ 3,15 V DC
Rated impulse voltage	500 V/60 s
Insulation resistance	≥ 100 MΩ

Associated products

Counterparts
 1613 03

16

1636 01

Designation	Pole Number	PU (Pieces)	MDQ (Pieces)
1636 01	2	100	500

Packaging:

in bulk, in a cardboard box or a plastic bag