

16

NEB/J 25 C

Power supply connectors

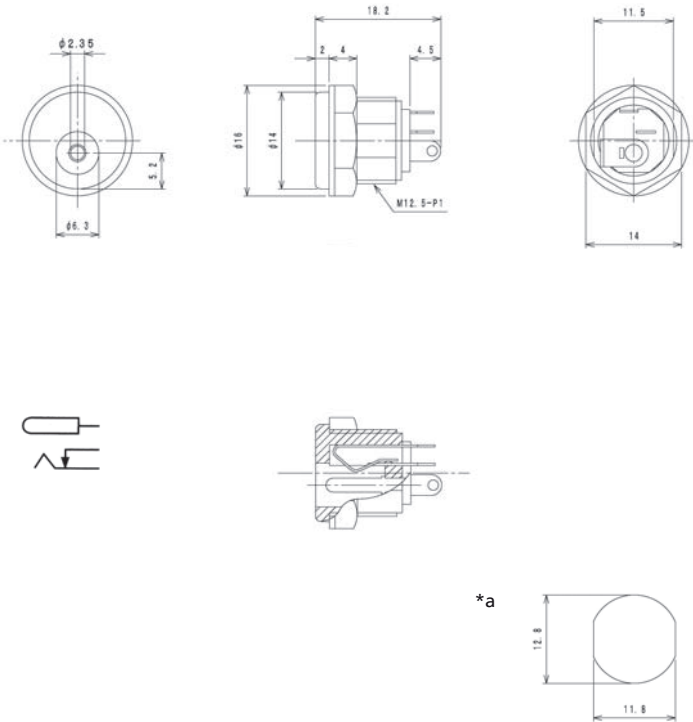


Power supply chassis socket, straight version, with break contact and solder eyes, for front side mounting

State: Active

16

NEB/J 25 C



*a port in mounting plate

Environmental conditions

Temperature range -25 °C/+70 °C

Materials

Insulating body	PF
Contact	CuZn/CuSn, nickel-plated/silver-plated
Housing	ABS, HB according to UL94
Hexagonal nut	PA

Mechanical data






Diameter opening	6,3 mm
Diameter center pin	2,35 mm
Mating cycles	≥ 5000
Insertion force	≤ 30 N ¹
Withdrawal force	3–30 N ¹

¹ measured with a gauge plug

Electrical data (at T_{amb} 20 °C)

Contact resistance	≤ 30 mΩ
Rated current	1 A
Rated voltage	12 V DC
Rated impulse voltage	500 V/60 s
Insulation resistance	≥ 100 MΩ

Associated products

Counterparts			
 1633 04	 1634 02	 NES/J 25	
 NES/J 250	 XNES/J 250		

16

NEB/J 25 C

Designation	Pole Number	PU (Pieces)	MDQ (Pieces)
NEB/J 25 C	2	250	750

Packaging:

in bulk, in a cardboard box or a plastic bag